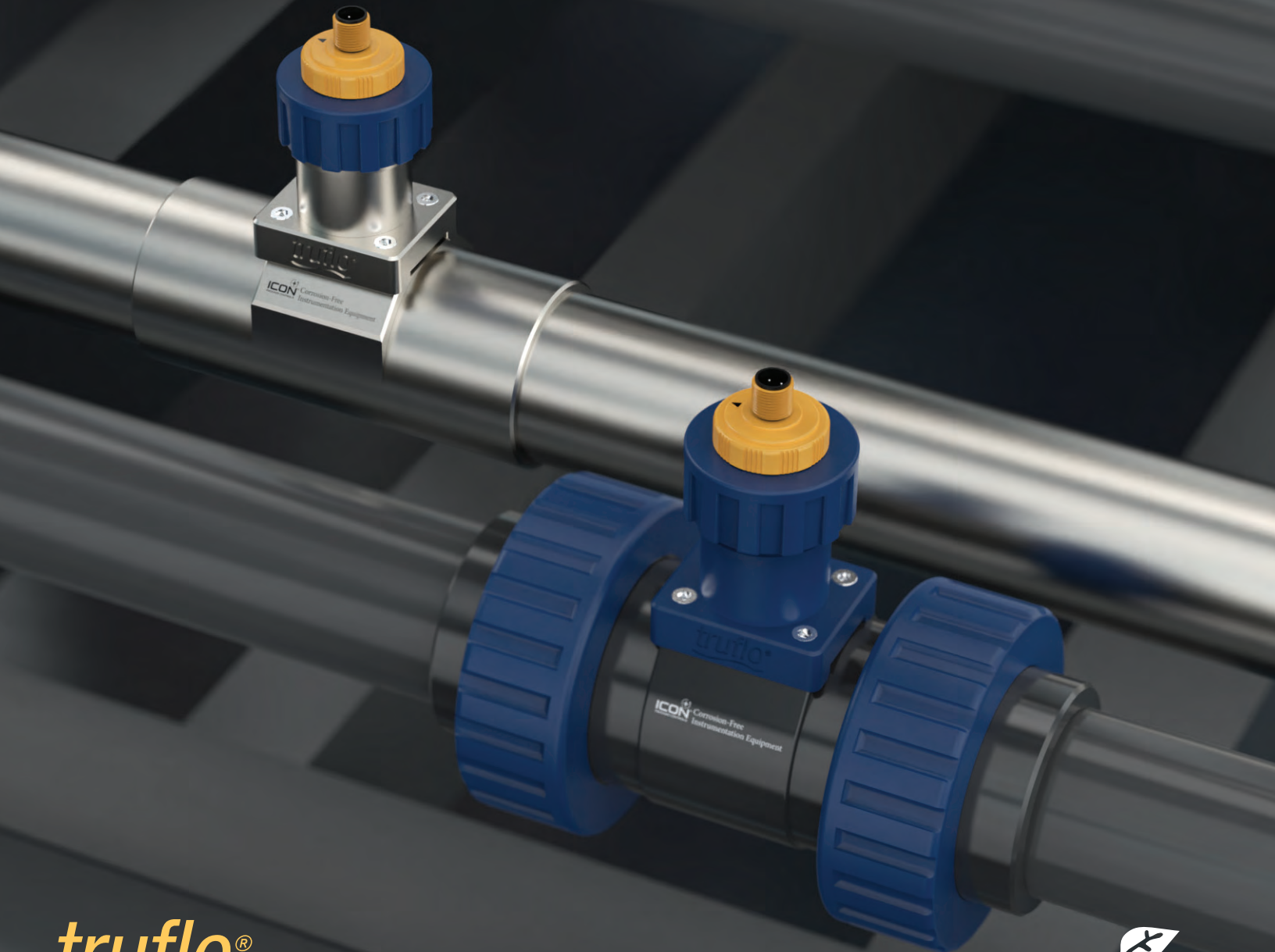


# Quick Start Manual



Read the user's manual carefully before starting to use the unit.  
Producer reserves the right to implement changes without prior notice.

### Safety Information

- De-pressurize and vent system prior to installation or removal
- Confirm chemical compatibility before use
- **DO NOT** exceed maximum temperature or pressure specifications
- **ALWAYS** wear safety goggles or face-shield during installation and/or service
- **DO NOT** alter product construction



#### Warning | Caution | Danger

Indicates a potential hazard. Failure to follow all warnings may lead to equipment damage, injury, or death.



#### Hand Tighten Only

Over tightening may permanently damage product threads and lead to failure of the retaining nut.



#### Note | Technical Notes

Highlights additional information or detailed procedure.



#### Do Not Use Tools

Use of tool(s) may damage product beyond repair and potentially void product warranty.



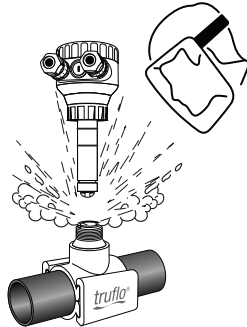
#### Personal Protective Equipment (PPE)

Always utilize the most appropriate PPE during installation and service of Truflo® products.



#### Pressurized System Warning

Sensor may be under pressure. Take caution to vent system prior to installation or removal. Failure to do so may result in equipment damage and/or serious injury.



# Truflo® — TIW | TI3W Series

## Insertion Paddle Wheel Flow Meter Sensor

**ICON**™ Corrosion-Free Instrumentation Equipment™  
PROCESS CONTROLS

### Product Description

The TI Series insertion plastic paddle wheel flow meter has been engineered to provide long-term accurate flow measurement in tough industrial applications. The paddle wheel assembly consists of an engineered Tefzel® paddle and micro-polished zirconium ceramic rotor pin and bushings. High performance Tefzel® and Zirconium materials have been selected due to their excellent chemical and wear resistant properties.

### Features

- ✓ ½" – 24" Line Sizes
- ✓ Pulse Output
- ✓ Industry's Highest Accuracy: ±0.5% F.S

### New ShearPro® Design

- ✓ Contoured Flow Profile
- ✓ Reduced Turbulence = Increased Longevity
- ✓ 78% Less Drag than Old Flat Paddle Design\*

\*Ref: NASA "Shape Effects on Drag"

### Tefzel® Paddle Wheel

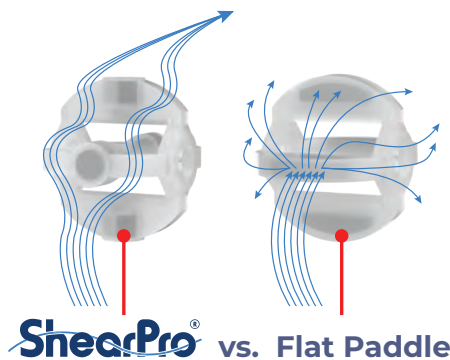
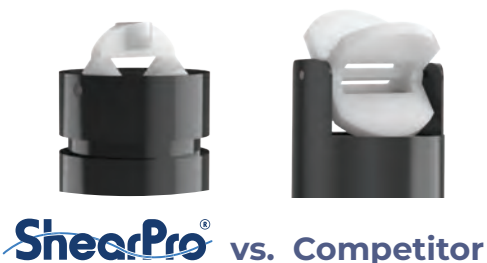
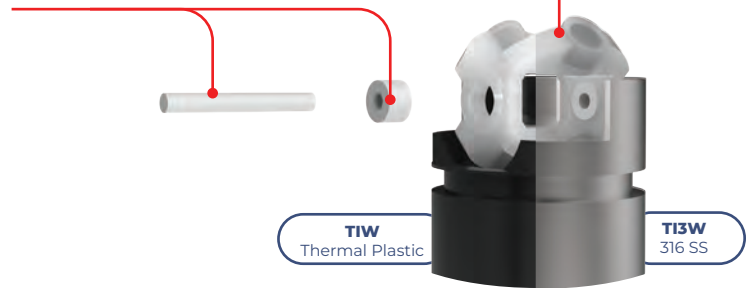
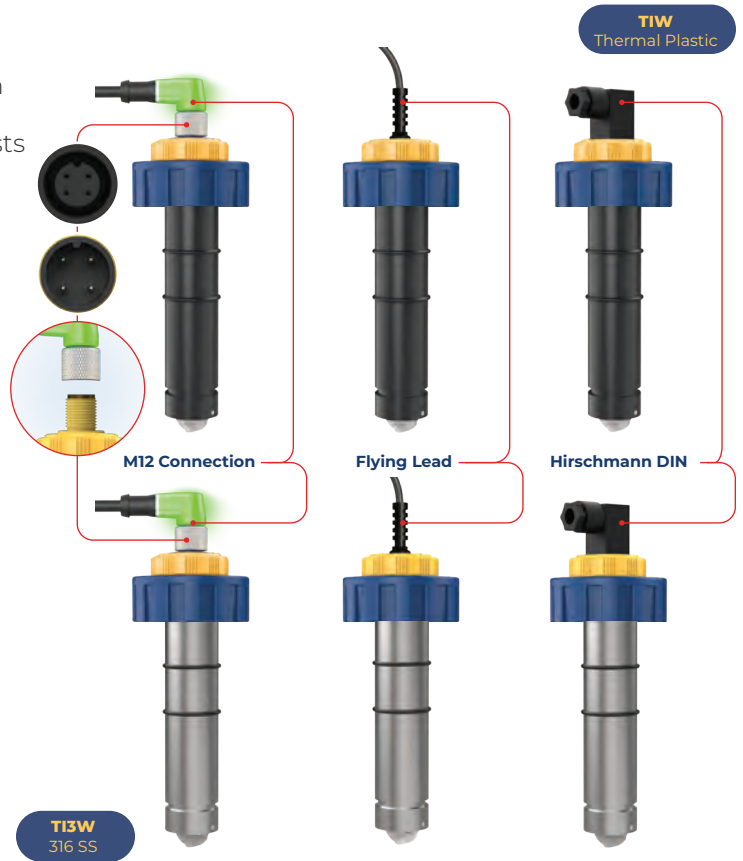
- ✓ Superior Chemical And Wear Resistance vs PVDF

### Zirconium Ceramic Rotor | Bushings

- ✓ Up to 15x the Wear Resistance
- ✓ Integral Rotor Bushings Reduce Wear and Fatigue Stress

### 360° Shielded Rotor Design

- ✓ Eliminates Finger Spread
- ✓ No Lost Paddles



# Truflo® — TIW | TI3W Series

## Insertion Paddle Wheel Flow Meter Sensor

### Technical Specifications

General		
Operating Range	0.3 to 33 ft/s	0.1 to 10 m/s
Pipe Size Range	½ to 24"	DN15 to DN600
Linearity	±0.5% of F.S @ 25°C   77°F	
Repeatability	±0.5% of F.S @ 25°C   77°F	
Output Type	NPN or PNP with 4.7K pull high resistor	
Output Current	150mA with short circuit protection	
Wetted Materials		
Sensor Body	PVC (Dark)   PP (Pigmented)   PVDF (Natural)   316SS	
O-Rings	FKM   EPDM*   FFKM*	
Rotor Pin   Bushings	Zirconium Ceramic   ZrO <sub>2</sub>	
Paddle   Rotor	ETFE Tefzel®	
Electrical		
Frequency	49 Hz per m/s nominal	15 Hz per ft/s nominal
Supply Voltage	5-30 VDC ±10% regulated	
Supply Current	<1.5 mA @ 3.3 to 6 VDC	<20 mA @ 6 to 24 VDC
Max. Temperature/Pressure Rating – Standard and Integral Sensor   Non-Shock		
PVC	180 Psi @ 68°F   40 Psi @ 140°F	12.5 Bar @ 20°C   2.7 Bar @ 60°F
PP	180 Psi @ 68°F   40 Psi @ 190°F	12.5 Bar @ 20°C   2.7 Bar @ 88°F
PVDF	200 Psi @ 68°F   40 Psi @ 240°F	14 Bar @ 20°C   2.7 Bar @ 115°F
316SS	200 Psi @ 180°F   40 Psi @ 300°F	14 Bar @ 82°C   2.7 Bar @ 148°F
Operating Temperature		
PVC	32°F to 140°F	0°C to 60°C
PP	-4°F to 190°F	-20°C to 88°C
PVDF	-40°F to 240°F	-40°C to 115°C
316SS	-40°F to 300°F	-40°C to 148°C
Output		
Frequency Pulse		
Display		
Blind		
Standards and Approvals		
CE   FCC   RoHS Compliant		

See Temperature and Pressure Graphs for more information

\*Optional

### Model Selection

PVC   PP   PVDF		
Size	Part Number	Material
½" - 4"	TIW-P-S	PVC
6" - 24"	TIW-P-L	PVC
1" - 4"	TIW-PP-S	PP
6" - 24"	TIW-PP-L	PP
1" - 4"	TIW-PF-S	PVDF
6" - 24"	TIW-PF-L	PVDF

Add Suffix -  
'E' - EPDM Seals

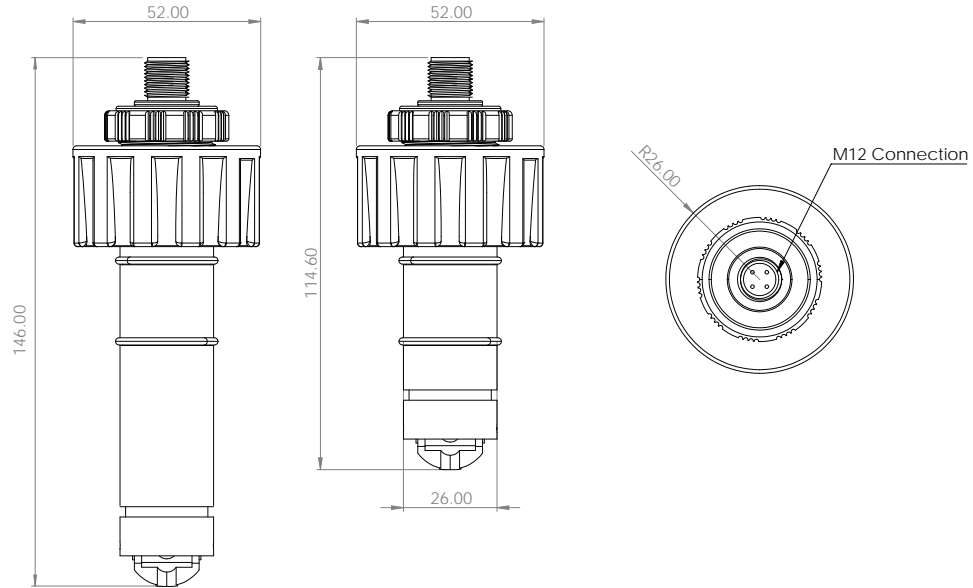
316 SS		
Size	Part Number	Material
½" - 4"	TI3W-SS-S	316 SS
6" - 24"	TI3W-SS-L	316 SS

Add Suffix -  
'E' - EPDM Seals

# Truflo® — TIW | TI3W Series

## Insertion Paddle Wheel Flow Meter Sensor

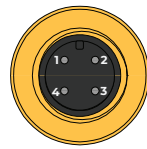
### Dimensions



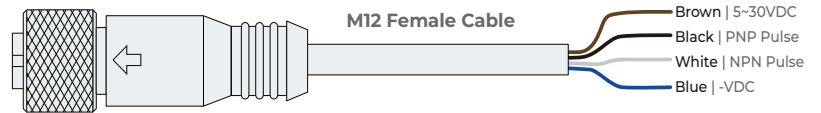
### M12 Wiring

**M12 Connection** (no Internal wiring required)

Pin	Description	Color
1	+ 5~30 VDC	Brown
2	-VDC	Blue
3	PNP Output	Black
4	NPN Output	White



TIW - M12 Male



### Hirschmann DIN Wiring

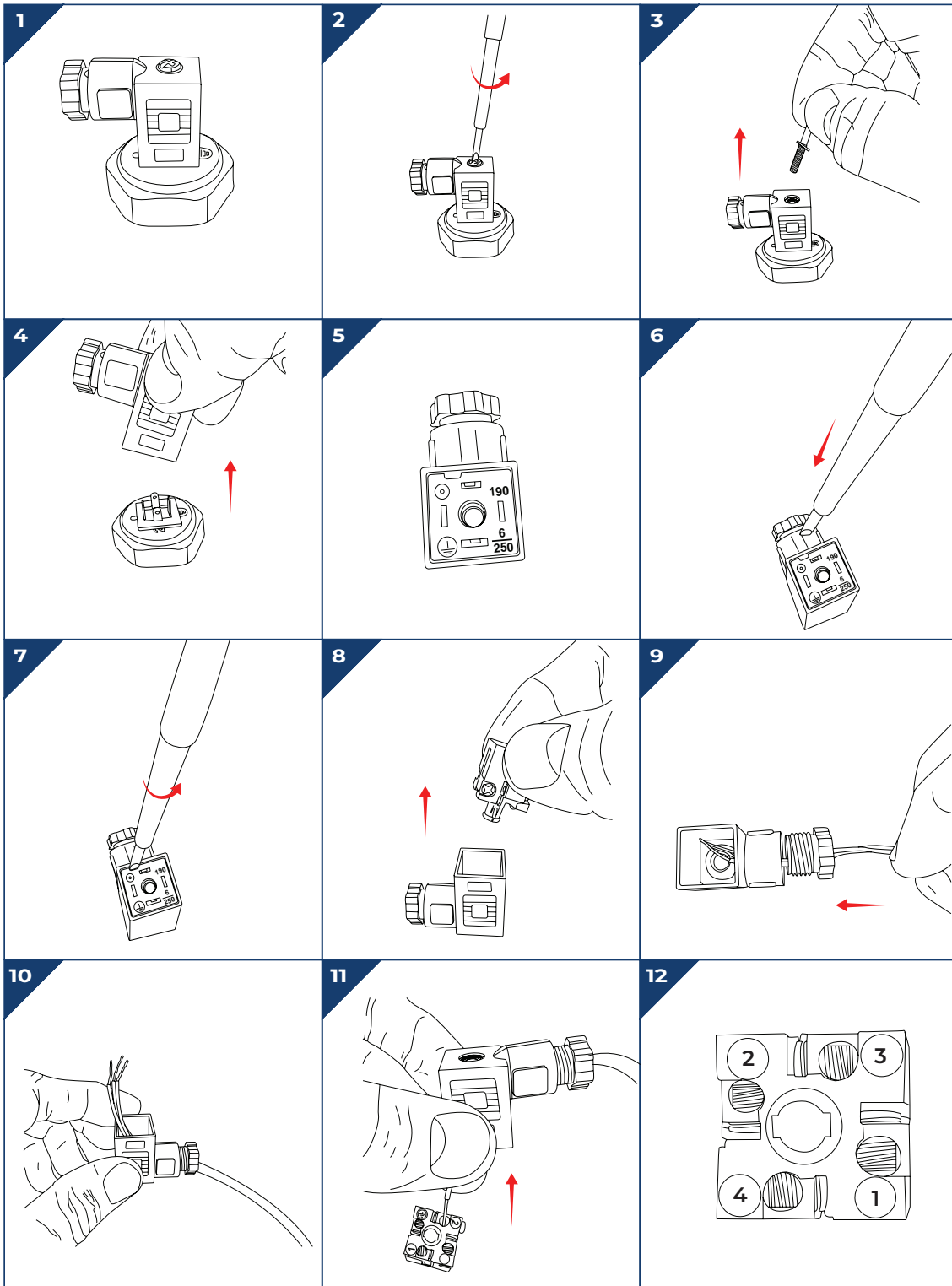
**Hirschmann DIN Connection**

Terminal	Description
1	5~30 VDC
2	- VDC
3	PNP Output
4	NPN Output



# Truflo® — TIW | TI3W Series Insertion Paddle Wheel Flow Meter Sensor

## Hirschmann DIN Wiring Connection



# Truflo® — TIW | TI3W Series

## Insertion Paddle Wheel Flow Meter Sensor

### Fittings and K-Factor

#### TEE FITTINGS



Tee Fitting		K-Factor		Sensor Length
IN	DN	LPM	GPM	
½" (V1)	15	156.1	593.0	S
½" (V2)	15	282.0	1072.0	S
¾"	20	160.0	604.0	S
1"	25	108.0	408.0	S
1½"	40	37.0	140.0	S
2"	50	21.6	81.7	S
2½"	65	14.4	54.4	S
3"	80	9.3	35.0	S
4"	100	5.2	19.8	S

#### CLAMP-ON SADDLES



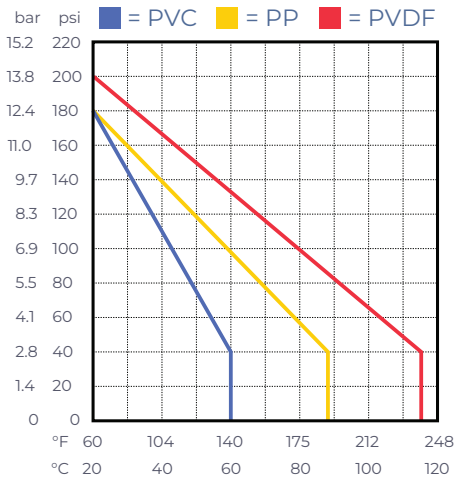
Clamp Saddles		K-Factor		Sensor Length
IN	DN	LPM	GPM	
2"	50	21.6	81.7	S
3"	80	9.3	35.0	S
4"	100	5.2	19.8	S
6"	150	2.4	9.2	L
8"	200	1.4	5.2	L

#### CPVC SOCKET WELD-ON ADAPTERS



Weld On Adapter		K-Factor		Sensor Length
IN	DN	LPM	GPM	
2"	50	14.4	54.4	S
2½"	65	9.3	35.5	S
3"	80	9.3	35.0	S
4"	100	5.2	19.8	S
6"	150	2.4	9.2	L
8"	200	1.4	5.2	L
10"	250	0.91	3.4	L
12"	300	0.65	2.5	L
14"	400	0.5	1.8	L
16"	500	0.4	1.4	L
18"	600	0.3	1.1	L
20"	800	0.23	0.9	L
24"	1000	0.16	0.6	L

### Pressure vs. Temperature

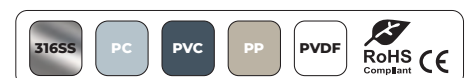


**Note:** During system design the specifications of all components must be considered. | Non-Shock



### Min/Max Flow Rates

Pipe Size (O.D.)	LPM   GPM	
	0.3m/s min.	10m/s max
½"   DN15	3.5   1.0	120.0   32.0
¾"   DN20	5.0   1.5	170.0   45.0
1"   DN25	9.0   2.5	300.0   79.0
1 ½"   DN40	25.0   6.5	850.0   225.0
2"   DN50	40.0   10.5	1350.0   357.0
2 ½"   DN60	60.0   16.0	1850.0   357.0
3"   DN80	90.0   24.0	2800.0   739.0
4"   DN100	125.0   33.0	4350.0   1149.0
6"   DN150	230.0   60.0	7590.0   1997.0
8"   DN200	315.0   82.0	10395.0   2735.0



### Installation

#### Very Important



- Lubricate O-rings with a viscous lubricant, compatible with the materials of construction.
- Using an alternating | twisting motion, carefully lower the sensor into the fitting. | **Do Not Force** | Fig-3
- Ensure tab | notch are parallel to flow direction | Fig-4



Hand tighten the sensor cap. **DO NOT** use any tools on the sensor cap or the cap threads or fitting threads may be damaged. | Fig-5

Fig - 1

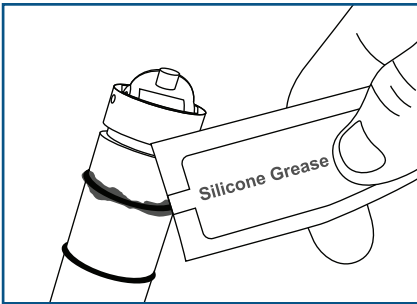


Fig - 2

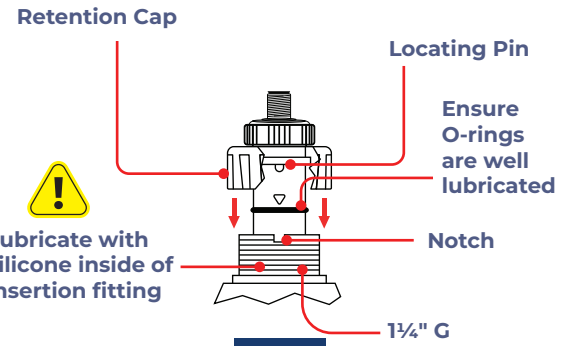
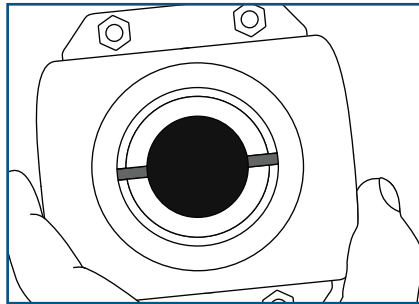


Fig - 3

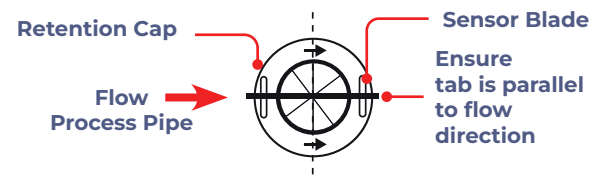


Fig - 4

Top View

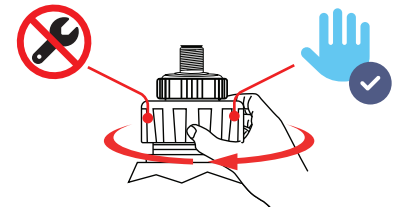
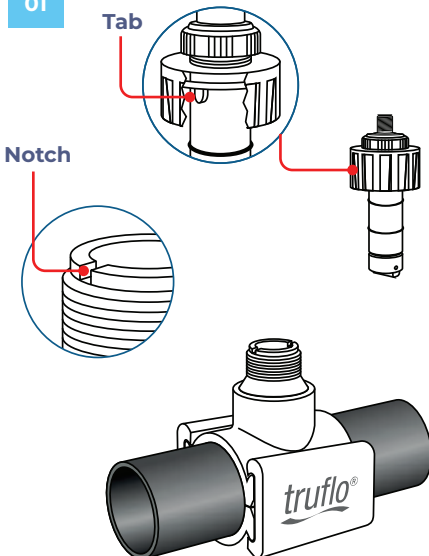


Fig - 5

### Correct Sensor Position

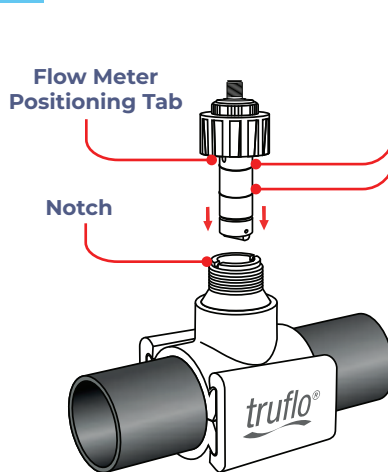
01



Locate the flow meter positioning tab and clamp saddle notch.

02

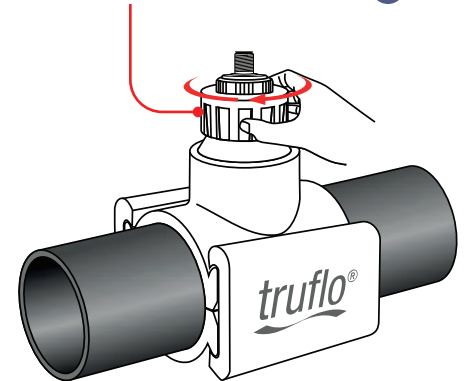
**VERY IMPORTANT**   
Lubricate O-rings with a viscous lubricant, compatible with the system



Engage one thread of the sensor cap, then turn the sensor until the alignment tab is seated in the fitting notch. Ensure tab is parallel to flow direction.

03

Hand tighten using the retention cap



- Hand tighten the screw cap
- **DO NOT** use any tools — threads may be damaged
- Ensure meter is firmly in place

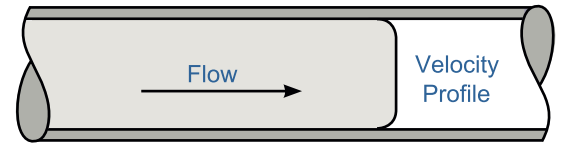


# Truflo® — TIW | TI3W Series

## Insertion Paddle Wheel Flow Meter Sensor

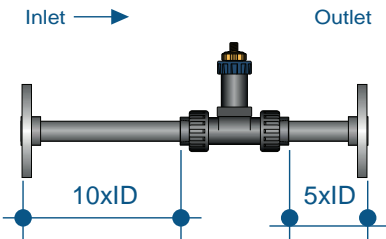
### Correct Sensor Position Setup

TI Series flow meters measure liquid media only. There should be no air bubbles and the pipe must always remain full. To ensure accurate flow measurement, the placement of the flow meters needs to adhere to specific parameters. This requires a straight run pipe with a minimum number of pipe diameters distance upstream and downstream of the flow sensor.

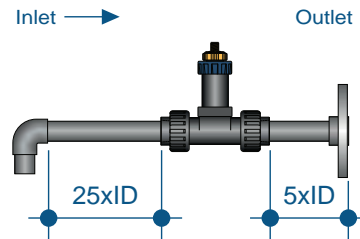


Developed Turbulent Flow

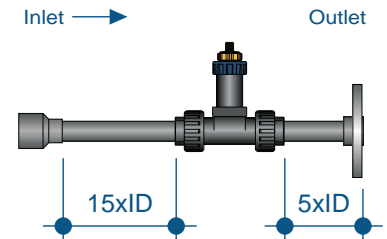
### Flange



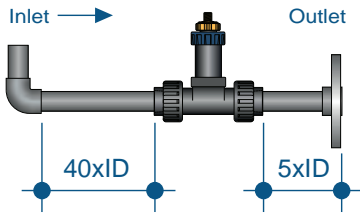
### 2x 90° Elbow



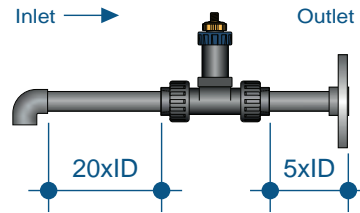
### Reducer



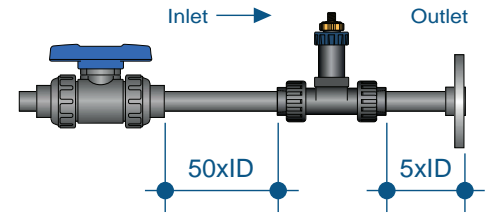
### 90° Downward Flow



### 90° Elbow Downward Flow Upward

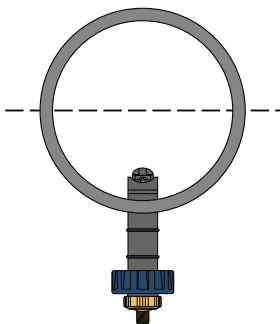


### Ball Valve



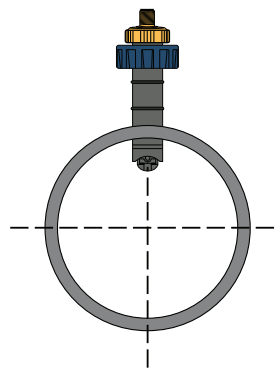
### Installation Positions

Figure - 1



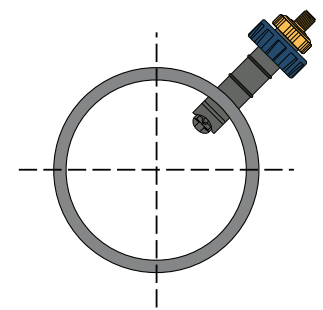
Good if NO SEDIMENT present

Figure - 2



Good if NO AIR BUBBLES present

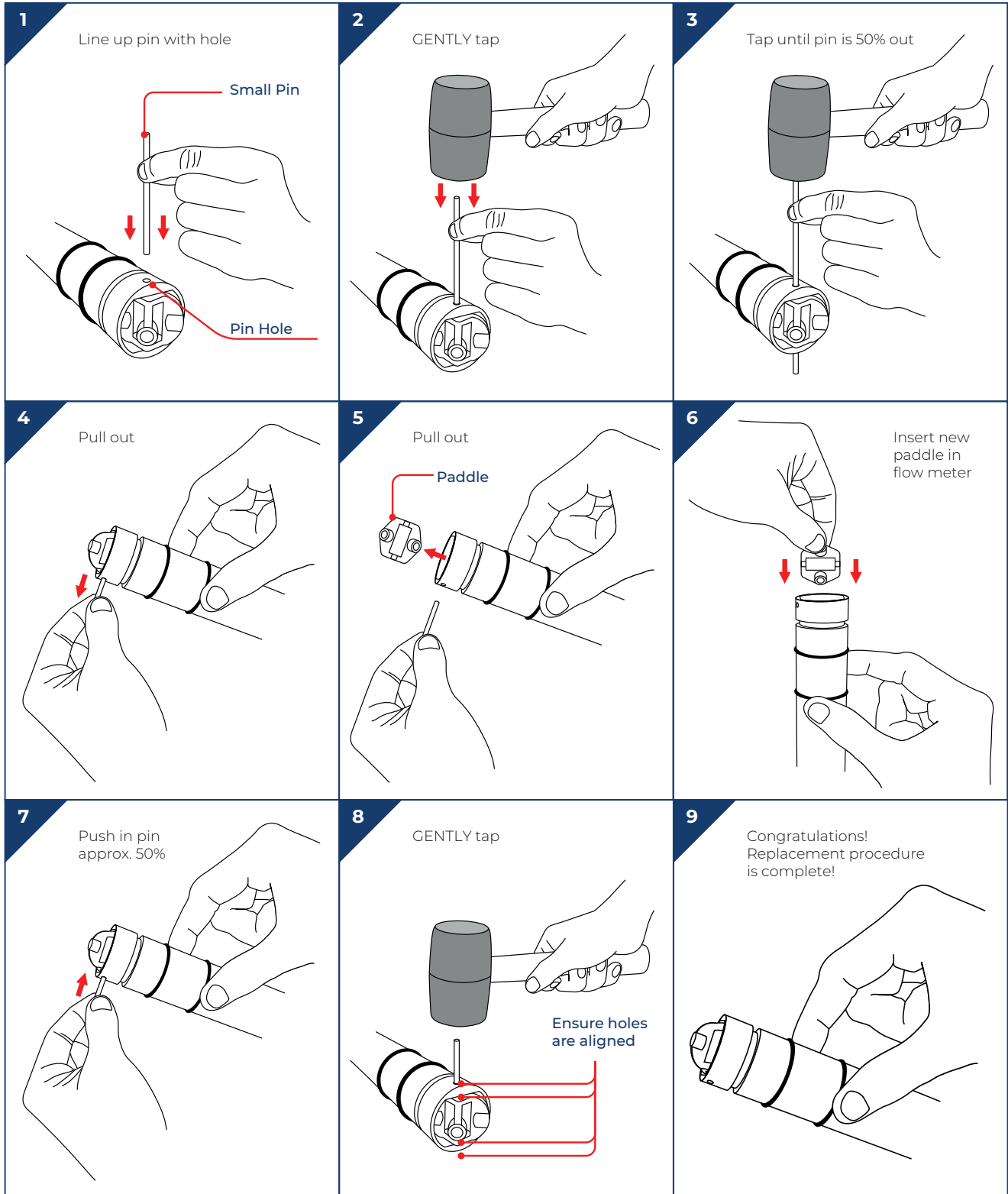
Figure - 3



Preferred installation if SEDIMENT\* or AIR BUBBLES may be present

\*Maximum % of solids: 10% with particle size not exceeding 0.5mm cross section or length

### Rotor Pin | Paddle Replacement



### Installation Fittings



#### SA Clamp-On Saddle Fittings

- PVC Material
- Viton® O-Rings
- Available in Metric DIN
- Will Accept Signet® Type Flow Meter

PVC	
Size	Part Number
2"	SA020
3"	SA030
4"	SA040
6"	SA060
8"	SA080



#### PT | PPT | PFT Installation Fittings

- PVC | PP | PVDF
- Socket End Connections
- Will Accept Signet® Type Flow Meter
- True-Union Design

	PVDF	PVC	PP
Size	Part Number	Part Number	Part Number
½"	PFT005	PT005	PPT005
¾"	PFT007	PT007	PPT007
1"	PFT010	PT010	PPT010
1½"	PFT015	PT015	PPT015
2"	PFT020	PT020	PPT020

Add Suffix -  
 'E' - EPDM Seals  
 'T' - NPT End Connectors  
 'B' - Butt Fused End Connections for PP or PVDF



#### SAR Clamp-On Saddle Fittings (SDR Pipe)

- PVC Material
- Viton® O-Rings
- Available in Metric DIN
- Will Accept Signet® Type Flow Meter

PVC	
Size	Part Number
2"	SAR020
3"	SAR030
4"	SAR040
6"	SAR060
8"	SAR080
10"	SAR100
12"	SAR120
14"	SAR140
16"	SAR160



#### CT CPVC Tee Installation Fitting

- 1"-4" Pipe Sizes
- Easy to Install
- Will Accept Signet® Flow Meter

CPVC	
Size	Part Number
1"	CT010
1 ½"	CT015
2"	CT020
3"	CT030
4"	CT040

Add Suffix -  
 'E' - EPDM Seals  
 'T' - NPT End Connectors  
 'B' - Butt Fused End Connections for PP or PVDF



#### PG Glue-On Adapter

- 2"-24" Pipe Sizes
- Easy to Install
- Will Accept Signet® Flow Meter

Glue-On Adapter – CPVC	
Size	Part Number
2" - 4"	PG4
6" - 24"	PG24



### SWOL

#### Weld-On Adapter

- 2"-12" Pipe Sizes
- 316SS Weld-o-let with PVDF insert
- Easy to Install
- Will Accept Signet® Flow Meter

Weld-On Adapter - 316 SS	
Size	Part Number
3"	SWOL3
4"	SWOL4
6"	SWOL6
8"	SWOL8
10"	SWOL10
12"	SWOL12



### SST

#### 316SS TI3 Series NPT Tee Fittings

- Will Accept Signet® Type Flow Meter

Threaded Tee Fitting - 316 SS	
Size	Part Number
1/2"	SST005
3/4"	SST007
1"	SST010
1 1/2"	SST015
2"	SST020
3"	SST030
4"	SST040



### SSS

#### 316SS TI3 Series Sanitary Tee Fittings

- Will Accept Signet® Type Flow Meter

Sanitary Tee Fitting - 316 SS	
Size	Part Number
1/2"	SSS005
3/4"	SSS007
1"	SSS010
1 1/2"	SSS015
2"	SSS020
3"	SSS030
4"	SSS040



### SSF

#### 316SS TI3 Series Flanged Tee Fittings

- Will Accept Signet® Type Flow Meter

Flanged Tee Fitting - 316 SS	
Size	Part Number
1/2"	SSF005
3/4"	SSF007
1"	SSF010
1 1/2"	SSF015
2"	SSF020
3"	SSF030
4"	SSF040

## Warranty, Returns and Limitations

### Warranty

Icon Process Controls Ltd warrants to the original purchaser of its products that such products will be free from defects in material and workmanship under normal use and service in accordance with instructions furnished by Icon Process Controls Ltd for a period of one year from the date of sale of such products. Icon Process Controls Ltd obligation under this warranty is solely and exclusively limited to the repair or replacement, at Icon Process Controls Ltd option, of the products or components, which Icon Process Controls Ltd examination determines to its satisfaction to be defective in material or workmanship within the warranty period. Icon Process Controls Ltd must be notified pursuant to the instructions below of any claim under this warranty within thirty (30) days of any claimed lack of conformity of the product. Any product repaired under this warranty will be warranted only for the remainder of the original warranty period. Any product provided as a replacement under this warranty will be warranted for the one year from the date of replacement.

### Returns

Products cannot be returned to Icon Process Controls Ltd without prior authorization. To return a product that is thought to be defective submit a customer return (MRA) request form and follow the instructions therein. All warranty and non-warranty product returns to Icon Process Controls Ltd must be shipped prepaid and insured. Icon Process Controls Ltd will not be responsible for any products lost or damaged in shipment.

### Limitations

This warranty does not apply to products which:

1. are beyond the warranty period or are products for which the original purchaser does not follow the warranty procedures outlined above;
2. have been subjected to electrical, mechanical or chemical damage due to improper, accidental or negligent use;
3. have been modified or altered;
4. anyone other than service personnel authorized by Icon Process Controls Ltd have attempted to repair;
5. have been involved in accidents or natural disasters; or
6. are damaged during return shipment to Icon Process Controls Ltd

Icon Process Controls Ltd reserves the right to unilaterally waive this warranty and dispose of any product returned to Icon Process Controls Ltd where:

1. there is evidence of a potentially hazardous material present with the product;
2. or the product has remained unclaimed at Icon Process Controls Ltd for more than 30 days after Icon Process Controls Ltd has dutifully requested disposition.

This warranty contains the sole express warranty made by Icon Process Controls Ltd in connection with its products. ALL IMPLIED WARRANTIES, INCLUDING WITHOUT LIMITATION, THE WARRANTIES OF MERCHANTABILITY AND FITNESS FOR A PARTICULAR PURPOSE, ARE EXPRESSLY DISCLAIMED. The remedies of repair or replacement as stated above are the exclusive remedies for the breach of this warranty. IN NO EVENT SHALL Icon Process Controls Ltd BE LIABLE FOR ANY INCIDENTAL OR CONSEQUENTIAL DAMAGES OF ANY KIND INCLUDING PERSONAL OR REAL PROPERTY OR FOR INJURY TO ANY PERSON. THIS WARRANTY CONSTITUTES THE FINAL, COMPLETE AND EXCLUSIVE STATEMENT OF WARRANTY TERMS AND NO PERSON IS AUTHORIZED TO MAKE ANY OTHER WARRANTIES OR REPRESENTATIONS ON BEHALF OF Icon Process Controls Ltd. This warranty will be interpreted pursuant to the laws of the province of Ontario, Canada.

If any portion of this warranty is held to be invalid or unenforceable for any reason, such finding will not invalidate any other provision of this warranty.