



Description & Features:

- Type J & K thermocouple sensors offering a wide temperature range; other types available upon request
- Light weight aluminum connection enclosure
- Terminal connections standard
- 316 SS sheath material
- IP54 or ATEX rated enclosure available
- Multi-point, high pressure and surface mount sensors available
- Available with or without 316 SS thermowells
- 5 year warranty

Applications:

- Refineries, petrochemical plants, gas-to-liquid (GTL) processes, storage tanks, low density polyethylene processes, power plants, paper production plants, kilns, food & beverage, etc..

Note: Thermowell optional

Specifications	
Head	Aluminum (standard) or stainless steel
Element	Type J & K standard
Output Signal	2-wire terminal block (standard), 4-20mA transmitter available
Accuracy	±0.4% Class 1
Temperature Range	J: -328°F to 1,382°F (-200°C to 750°C) K: -328°F to 2,192°F (-200°C to 1,200°C)
Extension Material	Galvanized carbon steel or 316 SS
Sheath Material	316 SS
Pressure Rating	7,000 psi (48,263 kPa) maximum, high pressure sensors available
Process Connection	1/2" NPTM (3/4" NPTM with well)
Conduit Connection	1/2" NPTF
Enclosure Rating	IP54 or ATEX ia

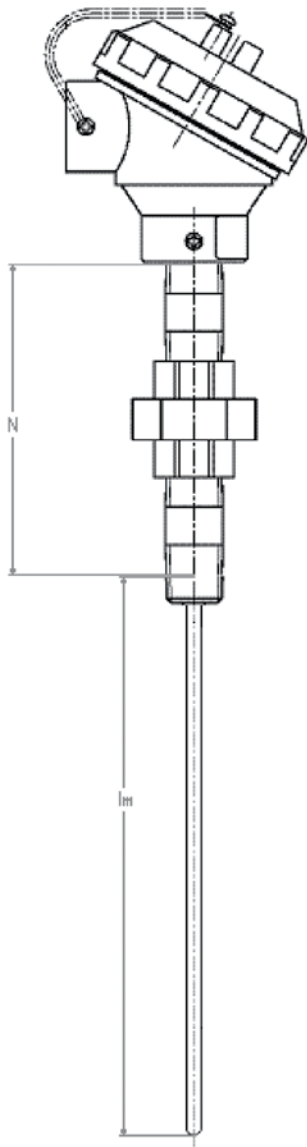
Order Codes

Sensor Type	Sensor Length	Extension Material	IP54 Enclosure	ATEX ia Enclosure
J	4" (100mm)	Galvanized Carbon Steel	TET11100	TET11100XPS2
	8" (200mm)		TET11200	TET11200XPS2
	12" (300mm)		TET11300	TET11300XPS2
	16" (400mm)		TET11400	TET11400XPS2
	4" (100mm)	Stainless Steel	TET12100	TET12100XPS2
	8" (200mm)		TET12200	TET12200XPS2
	12" (300mm)		TET12300	TET12300XPS2
	16" (400mm)		TET12400	TET12400XPS2
K	4" (100mm)	Galvanized Carbon Steel	TET21100	TET21100XPS2
	8" (200mm)		TET21200	TET21200XPS2
	12" (300mm)		TET21300	TET21300XPS2
	16" (400mm)		TET21400	TET21400XPS2
	4" (100mm)	Stainless Steel	TET22100	TET22100XPS2
	8" (200mm)		TET22200	TET22200XPS2
	12" (300mm)		TET22300	TET22300XPS2
	16" (400mm)		TET22400	TET22400XPS2

Other materials, sensor lengths and element types available upon request.
Multi-point, high pressure and surface mount sensors available upon request.

Option suffix:

TBR = 316 SS threaded thermowell TWW = 316 SS weld-in thermowell
TWF = 316 SS flanged thermowell



Temperature Range Codes

°F only	Code	°C only	Code
-40°F to 120°F	B14	-80°C to 50°C	B26
-40°F to 160°F	B15	-50°C to 50°C	B27
0°F to 140°F	B16	0°C to 50°C	B28
0°F to 200°F	B17	-50°C to 100°C	B29
20°F to 240°F	B18	0°C to 100°C	B30
0°F to 250°F	B19	-20°C to 120°C	B31
50°F to 300°F	B20	0°C to 150°C	B32
50°F to 400°F	B21	0°C to 200°C	B33
50°F to 550°F	B22	0°C to 300°C	B34
150°F to 750°F	B23	0°C to 450°C	B35
0°F to 800°F	B24	100°C to 550°C	B36
200°F to 1,000°F	B25	-	-

Other temperature ranges available upon request.

Sensor Length	N	Im
4" (100mm)	6.3" (160mm)	4" (100mm)
8" (200mm)		8" (200mm)
12" (300mm)		12" (300mm)
16" (400mm)		16" (400mm)

Wiring

