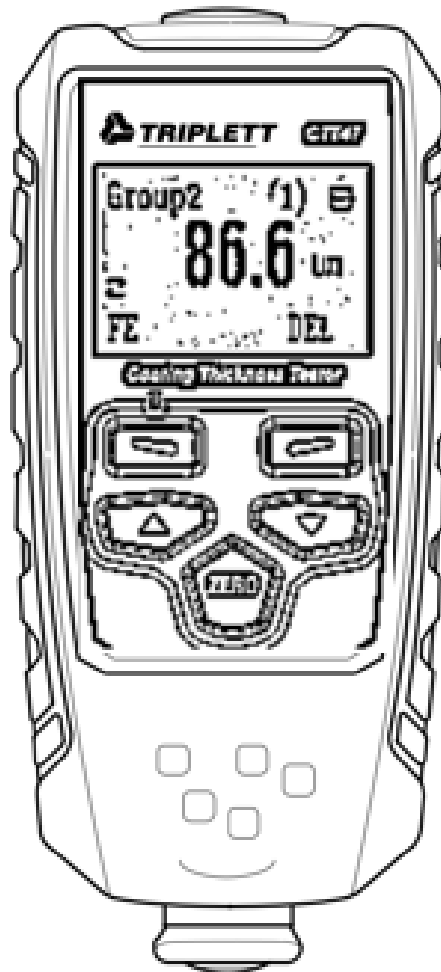


User Manual



CTT47

Coating Thickness Tester



Introduction

Thank you for selecting the Triplett CTT47 Coating Thickness Tester. The CTT47 is a portable meter designed for non-invasive coating thickness measurements with automatic recognition of the substrate material under test.

The meter uses two measurement methods: magnetic induction (for ferrous metal substrates) and eddy current (for non-ferrous metal substrates).

The CTT47 meter can connect to a PC via USB and transmit recorded data for further analysis and for generating report documentation.

Proper use and care of this meter will provide many years of reliable service.

Features

- Measured Coatings: Non-magnetic coatings (e.g. paint, zinc) on steel; Insulated Coatings (e.g. paint, anodized coatings) on non-ferrous metals
- Intuitive menu-based programming
- Memory storage of up to 1500 readings in 30 groups (50 readings per group)
- Delete single readings or all groups easily
- Auto Power OFF with disable feature
- Data transfer to PC via USB
- User Zero Calibration ability

Applications

- Corrosion protection
- Paint Shops and Electroplaters
- Chemical, Automobile, Shipbuilding, and Aircraft industries Laboratory, Workshop, and Field use

Probe Description

The CTT47 probe is spring mounted in the sensor sleeve. This ensures safe and stable positioning of the probe and ensures constant contact pressure.

A V-groove in the sleeve of the probe facilitates reliable readings on small cylindrical parts. The hemispherical tip of the probe is made of hard and durable material.

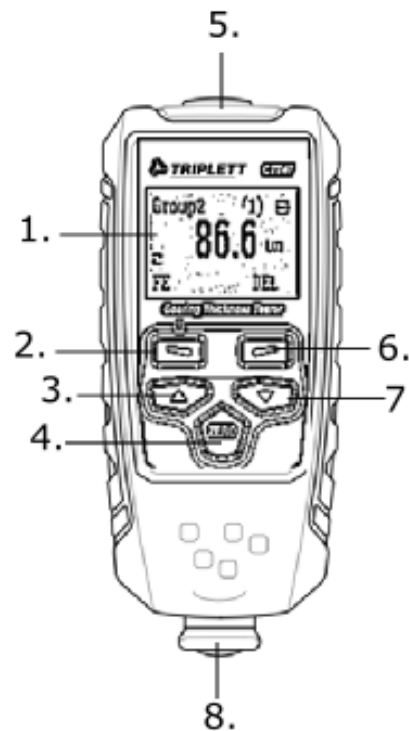
Measuring metallic coatings

This meter can measure non-magnetic metal coatings (Zinc) on a magnetic (ferrous) substance base, and non-metal coatings on a metal base (ferrous or non-ferrous).

Description

Meter Description

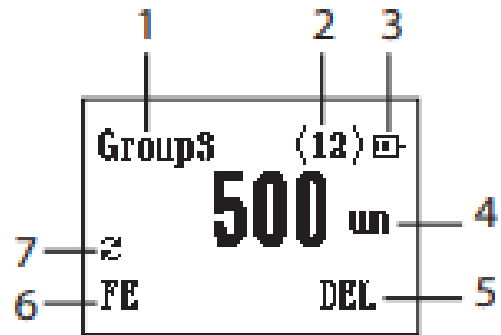
1. LCD display
2. Power and Select button
3. Up arrow
4. Zero Button
5. Micro USB Connector
6. Back Button ↩
7. Down Arrow
8. Sensor



Note: Battery compartment on rear of meter

Display Description

1. Data record memory group number
2. Record Number in current memory group
3. Battery status icon
4. Measurement units: μm or mils
5. DEL (Delete): Press the back (\leftarrow) button to delete the previous reading
6. Metal type (FE=ferrous, NFE=non-ferrous)
7. Automatic (Auto) metal detect mode



Operation

Meter Power

Install two 'AAA' 1.5 V batteries into the rear battery compartment. Press the power button \bigcirc to switch the meter ON. The display will switch ON. If the display does not switch ON, install or replace the batteries. When powering up, please keep the meter at least 10cm (4") from metal objects. Replace the batteries when the battery status icon appears low, the meter will give inaccurate readings if the battery voltage falls very low.

Measurements

Before each measurement session please perform a **Zero Calibration** as described later in this User Guide.

Practice with the film and zero reference metal substrates to learn how the meter operates before moving to a professional application. The heavier metal substrate is the ferrous (magnetic) zero substrate (Fe) and the lighter metal substrate (Al) is the non-ferrous (non- magnetic) zero substrate. In Auto mode, the meter automatically senses ferrous and non-ferrous substrates.

1. Place a reference film (250 μ m, for example) on the ferrous substrate (FE).
2. Power the meter on by pressing the power button.
3. Place the spring-loaded meter sensor against the reference film.
4. The meter will emit an audible tone indicating that the measurement has been taken.
5. The LCD will show the reading at the center of the display area.
6. For a typical display see the Display description diagram.

Automatic Power OFF

In order to conserve battery life, the meter will automatically turn off after approximately 3 minutes. To defeat this feature, use the programming menu detailed in the next section (menu parameter AUTO POWER OFF under SET).

Programming Menu

The meter can be configured and calibrated through simple button presses in the programming menu.

- Press the SEL button to access the menu; refer to the menu 'tree' below.
- Use the UP/DOWN buttons to scroll the menu
- Use the SEL button to select the highlighted mode
- Use the (←) button to exit or back out of a mode
- Other button presses are mode specific, follow on-screen prompts explained below.

In the table below the factory default settings are in bold with an asterisk (*).

Each parameter is explained in detail in the subsequent sections.

Top level	Sub level 1	Sub level 2	Description
WORKING MODE	Group 1...30		Shows Memory Groups and the number of readings in each group (Group 0 has no memory)
MEASURE MODE	NFE, FE, Auto*		Non-Ferrous, Ferrous, or Auto (Automatic) Metal selection
SET	Unit settings	μm*	Micrometers
		mil	Mils = mm * 2.54 / 100
	Backlight	Increase/decrease backlight using up/down arrows	
	Auto Power OFF	Enable*	Allows Auto Power OFF
		Disable	Defeats Auto Power OFF feature
	Contrast	Increase/decrease contrast using up/down arrows	

	Info	Shows firmware version number and model number
MEASURE VIEW	View or delete stored data in all groups or selected groups	
CALIBRATION	CAL Zero of FE	Perform FE Zero Calibration (refer to Calibration section)
	CAL Zero of NFE	Perform NFE Zero Calibration (refer to Calibration section)
	Delete Zero of FE	Delete FE Zero Calibration data
	Delete Zero of NFE	Delete NFE Zero Calibration data

NOTE: Disable the Auto Power OFF feature before lengthy programming to avoid inconvenient automatic power down while programming.

WORKING MODE

1. Press the LEFT button (SEL) to access the menu.
2. Scroll to WORKING MODE (if necessary) using up/down buttons.
3. Press the LEFT button (SELECT) to open WORKING MODE.
4. Use the UP and DOWN buttons to scroll through the groups and to see the number of saved readings in each group. Group 0 does not have memory.
5. Press the LEFT button (SELECT) to select the group and exit Working mode and return to the main menu or press the RIGHT button (←) twice to return to the normal operating mode.

MEASURE MODE

1. Press the LEFT button (SEL) to access the programming menu
2. Use the UP/DOWN buttons to scroll to the Measure Mode
3. Press the LEFT button (SELECT) to select the Measure Mode
4. Use the UP/DOWN buttons to

scroll to Auto, FE, or NFE. Press the LEFT button (SELECT) to make a selection.

AUTO mode - the meter automatically recognizes the metal that is being measured. **Ferrous (FE) Mode** - the Magnetic induction measurement mode is used. **Non-Ferrous (NFE) Mode** - the eddy current measurement mode is used.

5. Press the RIGHT button (↩) to return to the normal operating mode.

SET

1. Press the LEFT button (SEL) to access the menu.
2. Use the UP/DOWN arrows to scroll to SET.
3. Press the LEFT button (SELECT) to open the SET menu.
4. Use the UP and DOWN buttons to scroll through the selections.
5. Press the Left button (SELECT) to open the selected item.

a. Units of measure selections

Select μm or mil using the arrow buttons (μm = micrometers; mils). Press the LEFT button (SELECT) button to confirm and to return to the SET menu (otherwise press the right button (↩) to abort the edit and return to the SET menu).

b. Backlight

Use the UP and DOWN arrows to adjust the brightness of the backlight. Press the RIGHT

button (←) to confirm and return to the SET menu.

c. Auto Power OFF

Select ENABLE or DISABLE using the arrow buttons. When enabled, the meter automatically switches OFF after 3 minutes of inactivity. When disabled, the meter will only switch OFF with a power button press or when the battery power is weak.

Press the LEFT button (SELECT) button to confirm and to return to the SET menu (otherwise press the right button (←) to abort the edit and return to the SET menu).

d. Contrast

Use the UP and DOWN arrows to adjust the display contrast up or down. Press the LEFT button (OK) button to confirm and to return to the SET menu

(otherwise press the right button (←) to abort the edit and return to the SET menu).

e. Info

The model number and firmware version level are displayed. Press the right button (←) to exit to the SET menu.

MEASURE VIEW

The Measure View menu allows for scrolling through the readings in all of the groups.

Readings can be viewed or deleted in this mode.

1. Press the LEFT button (SEL) to access the main menu.
2. Use the DOWN ARROW button to scroll down to MEASURE VIEW.
3. Press LEFT (SELECT) to open the MEASURE VIEW parameter.
4. Use the UP/DOWN ARROW buttons to scroll through the groups of stored readings.
5. When a group is highlighted that contains stored readings, use the LEFT (SELECT) button to open the readings list. Now use the UP/DOWN arrows to view the readings. Press the LEFT button (Delete Group) to delete all readings in this Group or press the RIGHT button (↩) to return to the main Group list.
6. Highlight 'Delete All' and press the LEFT button (SELECT) to delete all of the readings in all groups. Otherwise press the RIGHT button (↩) to return to the previous menu.

CALIBRATION

The Calibration menu allows the user to perform a Ferrous (Zero FE) or non-ferrous (Zero NFE) ZERO Calibration. The Calibration menu also allows the user to delete ZERO calibration data for both ferrous (Zero F) and non-ferrous (Zero N) modes.

1. Press the LEFT button (SEL) to access the main menu.
2. Use the DOWN button to scroll to CALIBRATION.
3. Press LEFT (SELECT) to open the CALIBRATION parameter.
4. To perform a ZERO Calibration, refer to Zero Calibration in the next section.

5. To delete ZERO Calibration data, scroll to **DEL Zero of FE** or **DEL Zero of NFE** and then press the LEFT button (SELECT). This executes the Zero delete function and returns the meter to the SET menu.
6. Press the RIGHT button (↵) to return to the normal operating mode.

Reference Film Accuracy Verification

1. The CTT47 meter comes with a set of reference films to check the measurement accuracy of the meter.
2. The base materials are Ferrous (Steel) and the Non-Ferrous (Aluminum).
3. Turn on the meter 1 meter away from any material.
4. Set the Measure Mode to FE, NFE, or Auto.
5. Perform a Zero calibration on the base material of your choice.
6. Place a thickness film on the base and make a measurement.
7. Refer to the accuracy specifications to validate the accuracy of the meter.

ZERO Calibration

Preparing for ZERO Calibration

- * Clean the probe tip and the substrate (grease, oil, metal scraps. The slightest impurity will affect measurement and will distort readings.
- * Switch the meter ON at a 10 cm (4") minimum distance from any metal.
- * Set the meter to the correct substrate type, FE or NFE.
- * The meter is now ready for calibration.

Zero Calibration

ZERO Calibration from the Programming Mode

1. From the normal measurement mode, press the LEFT button (SEL) to access the menu.
2. Use the UP/DOWN button to scroll to CALIBRATION mode.
3. Press LEFT (SELECT) to open the CALIBRATION parameter.
4. Scroll to '**CAL ZERO OF FE**' or '**CAL ZERO OF NFE**'
5. Press the LEFT button (SELECT) and 'FE CAL' or 'NFE CAL' should be displayed on the LCD's lower level.
6. Press the sensor against the FE or NFE zero reference substrate and wait for the beep.
7. Press the LEFT button (OK) to accept the calibration value or press the RIGHT button (CANCEL) to abort the calibration.
8. If the meter did not read 0.0 you can try again or "Set" the Zero reference by pressing and holding the ZERO button until the meter beeps.
9. When the Zero calibration is complete, the meter is ready to make measurements.

Note that the user can delete ZERO Calibration data by selecting 'Del ZERO of FE' or 'Del ZERO of NFE' from the CALIBRATION mode in the Programming menu.

ZERO Calibration – Relative Mode

1. This mode can be used to set a zero point on reference substrate or on a known thickness of material.
For a relative measurement, any thickness greater or lesser will be referenced to this set value.
2. Press the sensor against the FE or NFE zero reference substrate or on a known thickness value of material.
3. Press and hold the ZERO button until it beeps to set the relative zero calibration to 0.0.

Record Readings in Memory Groups

The CTT47 offers 30 memory storage groups, Group '0' through '30'.

Group '0' does not allow data to be stored; it is simply a group that can be selected if readings are to be taken without being stored.

From the Normal measurement mode, Use the UP/DOWN arrow keys to scroll to a particular group. When a reading is taken it is automatically stored in the selected group.

Each Group can store up to 50 readings (for a total of 1500 for the 30 groups).

To delete all groups, or an individual group, use the MEASURE VIEW mode as explained in the programming menu section of this User Guide.

In GROUP mode, if the storage capacity is exceeded. The meter will display (50) in the upper right corner and will beep twice.

SOFTWARE

This meter is capable of storing data and can download that data to a PC through the supplied Windows© compatible software and micro-USB cable. The instructions are provided in the HELP Utility within the software program.

Error Messages

The following error messages will appear on the meter's LCD if a problem arises.

Err1	Magnetic induction probe (FE) error
Err2	Eddy current probe (NFE) error
Err3	Both probes - Eddy current and Magnetic induction errors
Err4	Magnetic induction probe (FE) fault
Err5	Eddy current probe (NFE) fault

Please contact Triplet Instruments if a problem exists.

Maintenance

Cleaning and Storage

Periodically wipe the meter housing with a damp cloth and mild detergent; do not use abrasives or solvents. If the meter is not to be used for 60 days or more, remove the batteries and store them separately.

Battery Replacement/Installation instructions

1. Open the rear battery door
2. Replace/install the two 1.5V 'AAA' batteries observing proper polarity
3. Secure the battery compartment



Never dispose of used batteries or rechargeable batteries in household waste. As consumers, users are legally required to take used batteries to appropriate collection sites, the retail store where the batteries were purchased, or wherever batteries are sold.

Disposal: Do not dispose of this instrument in household waste. The user is obligated to take end-of-life devices to a designated collection point for the disposal of electrical and electronic equipment

Specifications

	Ferrous	Non-Ferrous
Measurement principle	Magnetic induction	Eddy current principle
Measuring range	0~1350μm 0~53.1mils	0~1350μm 0~53.1mils
Accuracy ¹ (% of reading)	0~1000μm: ± (2.5% + 2μm) 1000μm ~1350μm: (±3.5%) 0~39.3mils: ± (2% + 0.08mils) 39.3mils ~53.1mils: (±3.5%)	0~1000μm: ± (2.5% + 2μm) 1000μm ~1350μm: (±3.5%) 0~39.3mils: ± (2% + 0.08mils) 39.3mils ~53.1mils: (±3.5%)
Resolution	0~100μm: (0.1μm) 100μm ~1000μm: (1μm) 1000μm ~1350μm: (0.01mm) 0~10mils: (0.01mils) 10mils~53.1mil:s (0.1mils)	0~100μm: (0.1μm) 100μm ~1000μm: (1μm) 1000μm ~1350μm: (0.01mm) 0~10mils: (0.01mils) 10mils~53.1mils: (0.1mils)
Min. curvature radius	59.06mils (1.5mm)	118.1mils (3mm)
Diameter of Min. area	275.6mils (7mm)	196.9mils (5mm)
Basic critical thickness	19.69mils (0.5mm)	11.81mils (0.3mm)
Industrial standards	Conforms to GB/T 4956-1985, GB/T 4957-1985, JB/T 8393-1996, JJG 889-95, and JJG 818-93	

Operating Temperature	0°C~40°C (32°F~104°F)
Operating Relative Humidity (R.H.)	20%~90% Relative Humidity
Power	2 x AAA batteries with Auto Power OFF after 3 minutes
Dimensions	120 x 62 x 32 mm (4.7 x 2.4 x 1.25")
Weight	175g (6.17 oz.)

¹Accuracy note: Accuracy statement applies to use on a flat surface, with a zero calibration performed and with the meter stabilized at ambient temperature. The accuracy of the reference films or any reference standards should be added to measurement results.

Warranty

Triplett / Jewell Instruments extends the following warranty to the original purchaser of these goods for use. Triplett warrants to the original purchaser for use that the products sold by it will be free from defects in workmanship and material for a period of (1) one year from the date of purchase. This warranty does not apply to any of our products which have been repaired or altered by unauthorized persons in any way or purchased from unauthorized distributors so as, in our sole judgment, to injure their stability or reliability, or which have been subject to misuse, abuse, misapplication, negligence, accident or which have had the serial numbers altered, defaced, or removed. Accessories, including batteries are not covered by this warranty

Copyright © 2021 Triplett