



**ACD-3300 IND
ACDC-3400 IND
CAT IV Industrial True
RMS Clamp Meters**

Users Manual

- Mode d'emploi
- Bedienungshandbuch
- Manuale d'Uso
- Manual de uso
- Användarhandbok



ACD-3300 IND
ACDC-3400 IND
CAT IV Industrial True RMS
Clamp Meters

Users Manual

English

ACD3300ACDC3400_Rev001
© 2009 Amprobe Test Tools.
All rights reserved.

Limited Warranty and Limitation of Liability

Your Amprobe product will be free from defects in material and workmanship for 1 year from the date of purchase. This warranty does not cover fuses, disposable batteries or damage from accident, neglect, misuse, alteration, contamination, or abnormal conditions of operation or handling. Amprobe's warranty obligation is limited, at Amprobe's option, to refund of the purchase price, free of charge repair, or replacement of a defective product. Resellers are not authorized to extend any other warranty on Amprobe's behalf. To obtain service during the warranty period, return the product with proof of purchase to an authorized Amprobe Test Tools Service Center or to an Amprobe dealer or distributor. See Repair Section for details. This warranty is your only remedy. All other warranties - whether express, implied or statutory - including implied warranties of fitness for a particular purpose or merchantability, are hereby excluded. Neither Amprobe nor its parent company or affiliates shall be liable for any special, indirect, incidental or consequential damages or losses, arising from any cause or theory. Since some states or countries do not allow the exclusion or limitation of an implied warranty or of incidental or consequential damages, this limitation of liability may not apply to you.

Repair

All test tools returned for warranty or non-warranty repair or for calibration should be accompanied by the following: your name, company's name, address, telephone number, and proof of purchase. Additionally, please include a brief description of the problem or the service requested and include the test leads with the meter. Non-warranty repair or replacement charges should be remitted in the form of a check, a money order, credit card with expiration date, or a purchase order made payable to Amprobe® Test Tools.

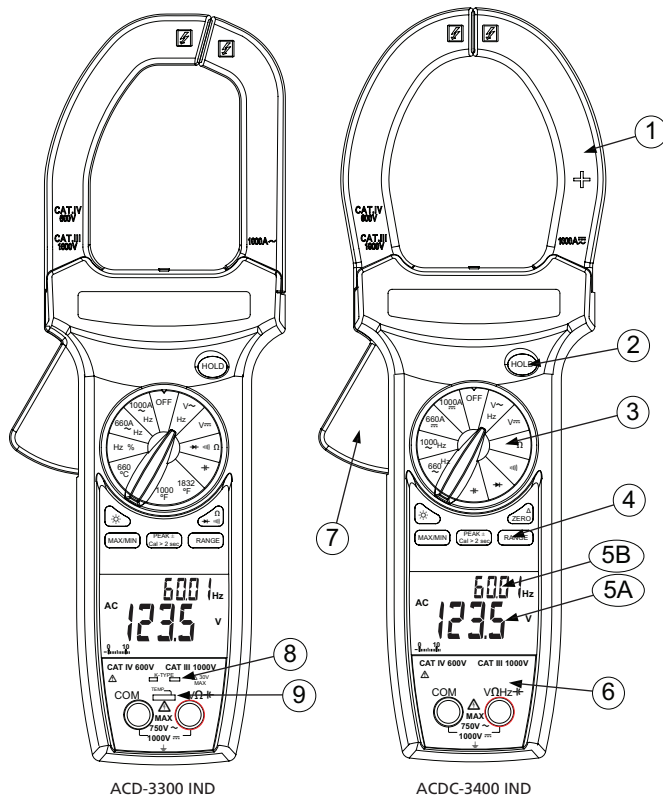
In-Warranty Repairs and Replacement – All Countries

Please read the warranty statement and check your battery before requesting repair. During the warranty period any defective test tool can be returned to your Amprobe® Test Tools distributor for an exchange for the same or like product. Please check the

Additionally, in the United States and Canada In-Warranty repair and replacement units can also be sent to a Amprobe® Test Tools Service Center (see below for address).

Non-Warranty Repairs and Replacement – US and Canada

Non-warranty repairs in the United States and Canada should be sent to a Amprobe® Test Tools Service Center. Call Amprobe® Test Tools or inquire at your point of purchase for current repair and replacement rates.



ACD-3300 IND

ACDC-3400 IND






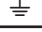

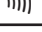





- ➊ Jaws for Current tests
- ➋ HOLD button
- ➌ Function selection knob
- ➍ Auxiliary feature buttons
- ➎A Primary LCD display
- ➎B Secondary LCD display
- ➏ Input jacks for functions other than Current
- ➐ Trigger to open the current jaws
- ➑ Temperature Input Jacks
- ➒ Temperature Slide Knob

**ACD-3300 IND / ACDC-3400 IND
CAT IV Industrial True RMS Clamp Meters**

CONTENTS

Symbols	5
Safety Information	5
▲ Warnings and Precautions	5
Unpacking and Contents	6
Introduction.....	6
AUXILIARY FEATURES	6
PEAK+/- Push button	6
MAX/MIN Button	6
▲ ZERO (Relative) Measurements (ACDC-3400 IND only).....	7
HOLD Button.....	7
RANGE Button.....	7
☼ Backlight Push Button.....	7
Auto Power Off (APO).....	7
Operation	7
Measuring DC Voltage (see Fig. 2)	7
Measuring AC Voltage (See Fig. 2).....	7
AC Current Measurement (See Fig. 3).....	7
DC Current Measurement (ACDC-3400 IND only) (See Fig. 3)	7
Frequency Measurement / % Duty Cycle (see Fig. 2)	8
Capacitance Measurement (see Fig. 4).....	8
Resistance (See Fig. 5)	8
Continuity Testing (See Fig. 5).....	8
Diode Testing (See Fig. 5)	8
Temperature Measurement (ACD 3300 IND only) (See Fig. 6)	9
Maintenance and Repair	9
Battery Replacement (see Fig. 7)	9
Specifications.....	9
General.....	9
Electrical	10

SYMBOLS


	Battery		Refer to the manual
	Double insulated		Dangerous Voltage
	Direct Current		Earth Ground
	Alternating Current		Audible tone
	Conforms to relevant Australian standards.		Complies with EU directives
	Do not dispose of this product as unsorted municipal waste.		Underwriters Laboratories. [Note: Canadian and US.]
	Application around and removal from hazardous live conductors is permitted		

SAFETY INFORMATION

- The ACD-3300 IND and ACDC-3400 IND Digital Clamp meters conform to EN61010-1:2001; EN61010-2-032:2002; CAT IV 600 V, CAT III 1000 V, class II and pollution deg. 2. EMC: conforms to EN61326-1.
- Each instrument is EN61010-1 certified for Installation Category IV (600V). It is recommended for primary supply lines, overhead lines and cable systems. and in distribution level and fixed installations, as well as lesser installations.
- Do not exceed the maximum overload limits per function (see specifications) nor the limits marked on the instrument itself. Never apply more than 1000 Vdc/750 Vac rms between the test lead and earth ground.

Warnings and Precautions

- Before and after hazardous voltage measurements, test the voltage function on a known source such as line voltage to determine proper meter functioning.
- Disconnect the test leads from the test points before changing meter functions.
- Disconnected from the meter's test leads before measuring current.
- Inspect the Clampmeter, test leads and accessories before every use. Do not use any damaged part.
- Never ground yourself when taking measurements. Do not touch exposed circuit elements or test probe tips.
- Do not operate the instrument in an explosive atmosphere.
- To reduce the risk of fire or electric shock, do not expose this product to rain or moisture.
- The meter is intended only for indoor use. To avoid electrical shock hazard, observe the proper safety precautions when working with voltages above 60 VDC, 42.4 Vpk, or 30 VAC rms. These voltage levels pose a potential shock hazard to the user.
- Before and after hazardous voltage measurements, test the voltage function on a known source such as line voltage to determine proper meter functioning.
- Keep your hands/fingers behind the hand/finger barriers (of the meter and the test leads) that indicate the limits of safe access of the hand-held part during measurement.
- Inspect test leads, connectors, and probes for damaged insulation or exposed metal before using the instrument. If any defects are found, replace them immediately.
- This Clamp-on meter is designed to apply around or remove from un-insulated hazardous live conductors. Individual protective equipment must be used if hazardous live parts of the installation could be accessible.

- Exercise extreme caution when: measuring voltage >20 V // current >10 mA // AC power line with inductive loads // AC power line during electrical storms // current, when the fuse blows in a circuit with open circuit voltage >1000 V // servicing CRT equipment.
- Remove test leads before opening the case to change the battery.
- Disconnect circuit power and discharge all high-voltage capacitors before testing resistance, continuity, diodes, or capacitance.
- To avoid false readings, which could lead to possible electric shock or personal injury, replace the batteries as soon as the low battery indicator (🔋) appears.
- To avoid electric shock hazard, do not use the HOLD  mode to determine if a circuit is live. Unstable readings will not be captured and displayed.

⚠ CAUTION

- For non-invasive ACA current measurements, clamp the jaws around only one single conductor of a circuit for load current measurement. More than 1 conductor will cause false readings.

UNPACKING AND CONTENTS

Your shipping carton should include:

- 1 ACD-3300 IND or ACDC-3400 IND
- 1 Test lead set
- 1 9 V battery (installed)
- 1 Users Manual
- 1 Carrying Case
- 1 type-K thermocouple (Model ACD-3300 IND only)

If any of the items are damaged or missing, immediately return the complete package to the place of purchase for an exchange.

INTRODUCTION

The ACD-3300 IND and ACDC-3400 IND True RMS Clamp-On meters are autoranging to 1000 ACA and 750 VAC / 1000 VDC. Their features include AC / DC voltage, AC / DC current (ACDC-3400 IND), Frequency, Duty Cycle, Diode, Resistance, Capacitance, Continuity tests plus Relative (ACDC-3400 IND). Model ACD-3300 IND also measures temperature to 1000°C (1832°F)

AUXILIARY FEATURES

PEAK+/- Push button

It is used to record the peak + and - peak values for AC voltage and AC current measurements.

Make the normal AC measurement and press the PEAK button. The PEAK value is displayed on the secondary display and the actual value displayed on the primary display. This function range locks on the normal range being used and may display OL if the input exceeds the range maximum.

Note: If the PEAK ± button is pressed >2 sec, the PEAK function will enter to calibration mode, the LCD will show "CAL" and the internal buffer will remember the internal offset voltage when back in the measure mode. To exit the 'CAL' mode, turn the meter OFF.

MAX/MIN Button

The "MAX" displays the maximum value of a set of measurements. The "MIN" displays the minimum value of a set of measurements. The "MAX/MIN" appears and flashes in the LCD to display the value that is being measured. To exit, press MAX/MIN button for more than 2 seconds

Δ ZERO (Relative) Measurements (ACDC-3400 IND only)

The Relative mode displays the difference between the actual reading and a reference value. It may be used with any function or range. To make a relative measurement first establish a reference value by measuring a value and then pressing the **Δ** button after the reading has stabilized. This stores the measured value as the reference and sets the display to zero. The meter subtracts the reference value from subsequent measurements and displays this difference as the relative value. Measurement values greater than the reference value will be positive and values less than the reference value will be negative. To exit the Relative Mode, Press and hold the **Δ** button for 2 seconds.

This feature should be used to set DC zero for DC amps.

HOLD Button

Data hold freezes the reading present on the LCD at the moment the button is pressed. To use this menu feature set up the meter for the type of measurement and range desired. Connect the test leads to the circuit / component to be measured, then press HOLD push button. The LCD reading will freeze and display "HOLD." You may now remove the test leads and the reading will not change until you press Hold again.

RANGE Button

Allows the user to select the range of a function that does not show 'RANGE' on the LCD.

☾ Backlight Push Button

Turns the back light On or OFF.

Auto Power Off (APO)

This meter will automatically turn the power off after 30 minutes. To disable the APO, set the meter to off position, press and hold the (RANGE) or (MAX/MIN) button while turning the rotary knob to the desired range position. Release the button when LCD displays normally. Note "APO" annunciator is missing from the LCD.

OPERATION

Measuring DC Voltage (see Fig. 2)

1. Set the Function Switch to **V^{DC}**.
2. Connect the test leads: Red to **+**, Black to **COM**.
3. Connect the test probes to the circuit test points.
4. Read the display and if necessary, correct any overload (**OL**) conditions.

Measuring AC Voltage (See Fig. 2)

Caution: For voltages below 0.2V, frequency reading may be unstable.

1. Set the Function Switch to **V^{AC}**.
2. Connect the test leads: Red to **+**, Black to **COM**.
3. Connect the test probes to the circuit test points.
4. Read the voltage on the primary display and the frequency on the secondary display and if necessary, correct any overload (**OL**) conditions.

AC Current Measurement (See Fig. 3)

Caution: For currents below 10A, frequency reading may be unstable.

1. Set the Function Switch to **A^{AC}** position.
2. Open spring-loaded clamp by pressing the lever on left side of meter.
3. Position clamp around one wire or conductor and release the clamp lever. Wire should be center inside the jaws.
4. Read the current on the primary display and the frequency on the secondary display and if necessary, correct any overload (**OL**) conditions.

DC Current Measurement (ACDC-3400 IND only) (See Fig. 3)

1. Set the Function Switch to **A^{DC}** position.

2. Press the Δ button to null out the DC amps offset.
3. Open spring-loaded clamp by pressing the lever on left side of meter.
4. Position clamp around one wire or conductor and release the clamp lever. Wire should be center inside the jaws.
5. Read the displayed value.

Frequency Measurement / % Duty Cycle (see Fig. 2)

1. Select the "Hz" position.
2. Connect the test leads: Red to +, Black to COM.
3. Connect the test probes to the circuit test points.
4. Read the frequency on the primary display and the Duty cycle on the secondary display, and, if necessary, correct any overload (OL) conditions.

Capacitance Measurement (see Fig. 4)

Note: When the capacitor to be tested is connected and LCD indicates "di .c", means there is voltage on the capacitor and needs to be discharged before testing.

1. Select the "F" position.
2. Connect the test leads: Red to +, Black to COM.
3. Connect the test probes to the circuit test points.
4. Read the display and if necessary, correct any overload (OL) conditions.

Δ CAUTION

Using the Resistance or Continuity function in a live circuit will produce false results and may damage the instrument. In most cases the suspected component must be disconnected from the circuit to obtain an accurate measurement reading.

Resistance (See Fig. 5)

1. Set the Function Switch to Ω . Use the ' $\Omega \rightarrow \text{di}$ ' button to select the resistance test (ACD-3300 IND only).
2. Connect the test leads: Red to +, Black to COM.
3. Turn off power to the circuit being measured. Never measure resistance across a voltage source or on a powered circuit.
4. Discharge any capacitors that may influence the reading.
5. Connect the test probes across the resistance.
6. Read the display. If OL appears on the highest Range, the resistance is too large to be measured or the circuit is an open circuit.

Continuity Testing (See Fig. 5)

1. Set the Function Switch to di . Use the ' $\Omega \rightarrow \text{di}$ ' button to select the di test (ACD-3300 IND only).
2. Connect the test leads: Red to +, Black to COM.
3. Turn off power to the circuit being measured.
4. Discharge any capacitors that may influence the reading.
5. Connect the test probes across the resistance or the two points of test.
6. Listen for the tone that indicates continuity ($< 30 \Omega$).

Diode Testing (See Fig. 5)

1. Set the Function knob to the " di " position. Use the ' $\Omega \rightarrow \text{di}$ ' button to select diode test (ACD-3300 IND only).
2. Connect the red test lead to the "V Ω " jack and the black test lead to the "COM" jack.
3. Turn off power to the circuit under test. External voltage across the components causes invalid readings.
4. Touch probes to the diode. A forward-voltage drop is about 0.6V (typical for a silicon diode).

5. Reverse probes. If the diode is good, "OL" is displayed. If the diode is shorted, "0.00" or another number is displayed.
6. If the diode is open, "OL" is displayed in both directions.
7. Audible Indication: Less than 30 Ω .

Temperature Measurement (ACD 3300 IND only) (See Fig. 6)

1. Verify the location being tested is not electrically energized.
2. Set the Function Switch to °C and range or °F and range.
3. Move the slide knob to the TEMP position. Insert the thermocouple plug matching the slot widths.
4. Connect the thermocouple bead to the test point.
5. Read the display. If OL appears on the display, the temperature is too large to be measured or the thermocouple is open.

Note: The test leads must be removed to move the slide plate to allow the thermocouple to be inserted.

MAINTENANCE AND REPAIR

If there appears to be a malfunction during the operation of the meter, the following steps should be performed in order to isolate the cause of the problem:

1. Check the battery.
2. Review the operating instructions for possible mistakes in operating procedure.
3. Inspect and test the test leads for a broken or intermittent connection.

Except for the replacement of the battery or test probes, repair of the multimeter should be performed only by a Factory Authorized Service Center or by other qualified instrument service personnel. The front panel and case can be cleaned with a mild solution of detergent and water. Apply sparingly with a soft cloth and allow to dry completely before using. Do not use aromatic hydrocarbons or chlorinated solvents for cleaning.

Battery Replacement (see Fig. 7)

⚠ Warning

To prevent electrical shock or meter damage, disconnect the meter's test leads from any circuit and the meter, then turn the meter off before removing the battery cover. Battery replacement should be performed in a clean environment and with appropriate care taken to avoid contaminating the meter's interior components.

1. Remove the screws and lift the battery cover.
2. Replace the battery with the same type, 9-volt battery.

Note polarity of the battery.

3. Replace the rear case and screws.

SPECIFICATIONS

General

Display: 3¾ digit liquid crystal display (LCD) (6600 count) with a 66-segment analog bar-graph.

Polarity: Automatic, positive implied, negative polarity indication.

Over range: (OL) or (-OL) is displayed.

Zero: Automatic.

Low battery indication: The "⚡" is displayed when the battery voltage drops below the operating level.

Auto power off: Approx. 30 minutes.

Backlight: Backlight auto-off approx. 60 sec.

Measurement rate: 2.8 times per second, nominal.

Analog bar-graph: 28 times per second.
 Operating environment: 0°C to 50°C (32°F to 122°F) at < 70% R.H.
 Storage temperature: -20°C to 60°C (-4°F to 140°F) at < 80% R.H. with battery removed from meter.
 Temperature Coefficient: 0.1 x (specified accuracy) per °C. (0°C to 18°C, 28°C to 50°C).
 Environmental: 2000m (6561.7 Feet), Indoor use.
 Jaw opening capability: 57 mm (2.0 in) conductor.
 Power: Single standard 9-volt battery, NEDA 1604, JIS 006P, IEC 6F22.
 Battery life: typically 75 hours with carbon-zinc; 150 hour with alkaline.
 Dimensions:
 ACDC-3400 IND: 281 x 108 x 53 mm (11.1 x 4.3 x 2.1 in.)
 ACD-3300 IND: 279 x 103 x 53 mm (11 x 4.1 x 2.1 in.)
 Weight:
 ACDC-3400 IND: 559 gm (1.23 lb.)
 ACD-3300 IND: 500 gm (1.10 lb.)
 Safety: LVD Meets EN61010-1:2001 and EN61010-2-032:2002, CAT III 1000V, CAT IV 600V, class II and pollution degree 2

CE EMC: EN 61326-1:2006 This product complies with requirements of the following European Community Directives: 2004/108/EC (Electromagnetic Compatibility) and 2006/95/EC (Low Voltage) as amended by 93/68/EEC (CE Marking). However, electrical noise or intense electromagnetic fields in the vicinity of the equipment may disturb the measurement circuit. Measuring instruments will also respond to unwanted signals that may be present within the measurement circuit. Users should exercise care and take appropriate precautions to avoid misleading results when making measurements in the presence of electronic interference.

Electrical
 Accuracy: Stated accuracy at 23°C ± 5°C, < 75% RH

DC VOLTS

Ranges	Accuracy
660.0 mV, 6.600 V, 66.00 V, 660.0 V, 1000 V	± (0.5% rdg + 2 dgts)

Input impedance: 660 mV: >100 MΩ; 6.6 V:10 MΩ; 66 V to 1000 V: 9.1 MΩ
 Overload protection: 1000 VDC or 750 VAC rms

AC VOLTS TRUE RMS

Ranges:	Frequency	Accuracy
660.0 mV	50 to 100 Hz	± (1.5% rdg + 8 dgts)
6.600V, 66.00V	50 to 500 Hz	± (1.5% rdg + 8 dgts)
660.0V, 750V	50 to 500 Hz	± (1.5% rdg + 8 dgts)
Frequency **	50 to 1 kHz	± (0.1% rdg + 5 dgts)

Peak Hold:

Ranges:	Frequency	Accuracy
66.00V, 660.0V, 750V	50 to 500 Hz	± (3.0% rdg + 200 dgts)

** Frequency: 10% to 100% of voltage range

AC coupled TRMS: 5% to 100% of range

Crest factor: ≤ 3

Input impedance: 660 mV: >100 MΩ; 6.6 V:10 MΩ; 66 V to 750 V: 9.1 MΩ

Overload protection: 1000 VDC or 750 VAC rms

AC CURRENT TRUE RMS

Ranges:	Frequency	Accuracy
66.00A*	50 to 60 Hz	± (2.0% rdg + 10 dgts)
66.00A*	61 to 400 Hz	± (3.0% rdg + 10 dgts)
660.0A	50 to 60 Hz	± (2.0% rdg + 10 dgts)
660.0A	61 to 400 Hz	± (3.0% rdg + 10 dgts)
1000 A	50 to 60 Hz	± (2.5% rdg + 10 dgts)
1000 A	61 to 400 Hz	± (3.5% rdg + 10 dgts)
Frequency**	50 to 1kHz	± (0.1% rdg + 5 dgts)

Peak Hold:

Ranges:	Frequency	Accuracy
66.00A*, 660.0A, 1000A	50 to 400 Hz	± (3.0% rdg + 200 dgts)

* ACD-3300 IND only

** Frequency: 10% to 100% of current range

AC coupled TRMS: 5% to 100% of range

Crest factor: ≤ 3

Overload protection: 1000A AC

DC CURRENT (ACDC-3400 IND only)

Range	Accuracy
660.0A	± (2.0% rdg + 5 dgts)
1000A	± (3.0% rdg + 5 dgts)

Overload protection: 1000A DC

RESISTANCE

Range	Accuracy
660.0Ω, 6.600kΩ	± (1.0% rdg + 5 dgts)
66.00kΩ, 660.0kΩ	
6.600MΩ:	± (2.0% rdg + 5 dgts)
66.00MΩ:	± (3.5% rdg + 5 dgts)

Open circuit volts: -1.2 Vdc typical , (-3.5 Vdc on 660 Ω range)

Overload protection: 1000 VDC or 750 VAC rms

CAPACITANCE

Range	Accuracy
6.600nF, 660nF	±(3.0% rdg + 20 dgts)
66nF, 6.600μF, 66.00μF,660.0μF	±(3.0% rdg + 10 dgts)
6.6 mF	±(5.0% rdg + 10 dgts)

Overload protection: 1000 VDC or 750 VAC rms

TEMPERATURE (ACD-3300 IND only)

Range	Accuracy
0.0°C to 400.0°C	± (1.0% + 1°C)
-35.0°C to 0.0°C, 400°C to 1000°C	± (2.0% + 3°C)
32.0°F to 750.0°F	± (1.0% + 2°F)
-30.0°F to 32.0°F, 750°F to 1832°F	± (2.0% + 6°F)

Sensor type: K-type thermocouple

Overload protection: 30 V Max

DIODE TEST

Test current: 0.8 mA (approximate)

Accuracy: ± (1.5% rdg + 5 dgts)

Open circuit volts: 3.2 Vdc typical

Audible indication: < 0.03 V

Overload protection: 1000 VDC or 750 VAC rms

CONTINUITY

Ranges: 660.0 Ω

Audible indication: < 30 Ω

Response time: 500 ms

Overload protection: 1000 VDC or 750 VAC rms

FREQUENCY (Auto ranging)

Range	Accuracy
66.00 Hz, 660.0 Hz, 6.600k Hz, 66.00 kHz, 660.0 kHz, 1.000 MHz	\pm (0.1% rdg + 5 dgts)

Sensitivity: 10 Hz to 1 MHz: > 3.5 V rms

Minimum pulse Width: >1 us

Duty cycle limits: >30% and <70%

% DUTY CYCLE

Range: 5.0 % to 95.0 %

Resolution: 0.1 %

Minimum Pulse Width: >10 us

Frequency range: 40 Hz to 20 kHz

Accuracy (5V logic): \pm (2% rdg + 10 dgts)

Overload protection: 1000 VDC or 750 VAC rms

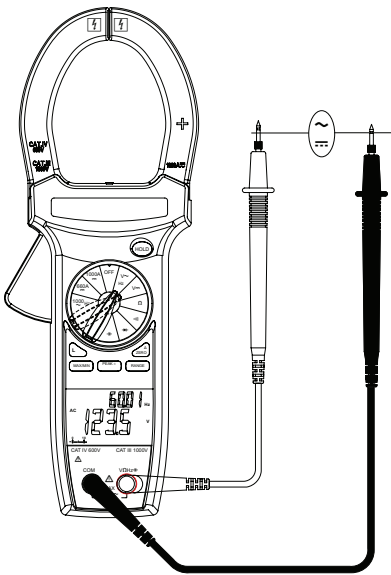


Fig 2. Voltage \ Frequency \ Duty Cycle

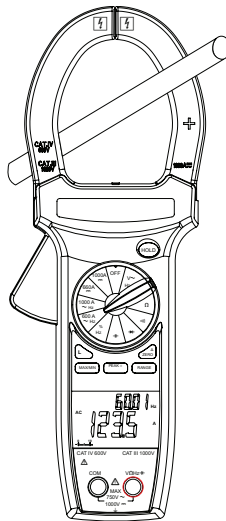


Fig 3. Current

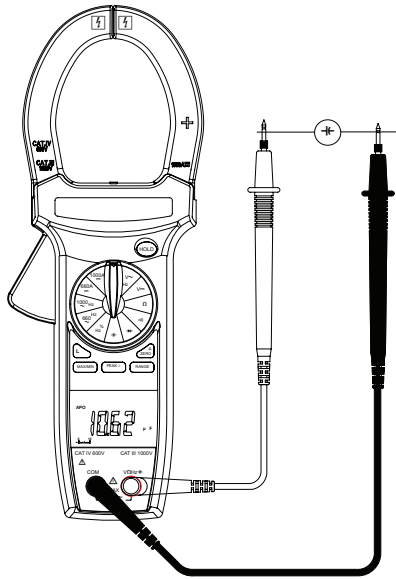


Fig 4. Capacitance

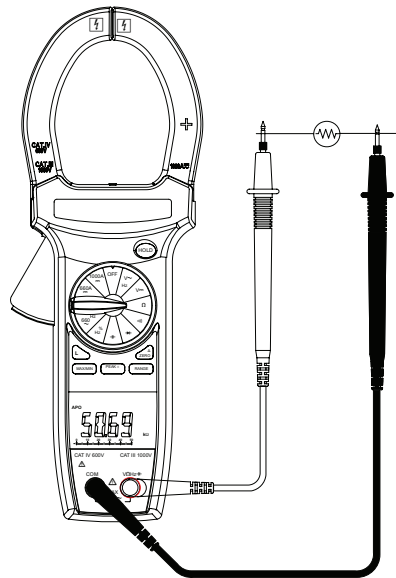


Fig 5. Resistance \ Continuity\Diode

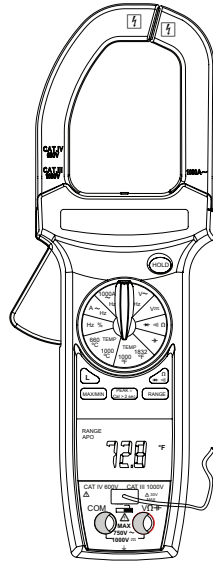


Fig 6. Temperature (ACD-3300 IND only)

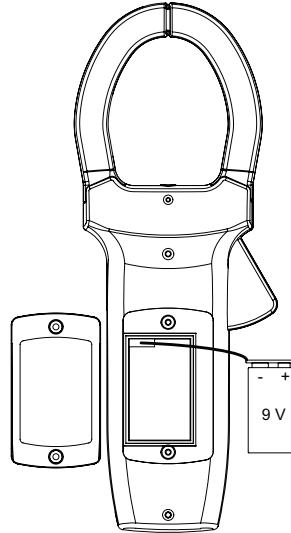


Fig 7. Battery Replacement



ACD-3300 IND ACDC-3400 IND

Pinces multimètres
industrielles à mesures
efficaces vraies (TRMS) CAT IV

Mode d'emploi

ACD3300ACDC3400_Rev001
© 2009 Amprobe Test Tools.
Tous droits réservés.

17

Français

Limites de garantie et de responsabilité

Amprobe garantit l'absence de vices de matériaux et de fabrication de ce produit pendant une période d'un an prenant effet à la date d'achat. Cette garantie ne s'applique pas aux fusibles, aux piles jetables ni à tout produit mal utilisé, modifié, contaminé, négligé ou endommagé par accident ou soumis à des conditions anormales d'utilisation et de manipulation. L'obligation de garantie d'Amprobe est limitée, au choix d'Amprobe, au remboursement du prix d'achat ou à la réparation/remplacement gratuit d'un produit défectueux. Les distributeurs agréés par Amprobe ne sont pas autorisés à appliquer une garantie plus étendue au nom d'Amprobe. Pour bénéficier de la garantie, renvoyez le produit accompagné d'un justificatif d'achat auprès d'un centre de services agréé par Amprobe Test Tools ou d'un distributeur ou d'un revendeur Amprobe. Voir la section Réparation pour tous les détails. LA PRESENTE GARANTIE EST LE SEUL ET EXCLUSIF RECOURS. TOUTES AUTRES GARANTIES, EXPLICITES, IMPLICITES OU STATUTAIRES, NOTAMMENT LE CAS ECHEANT LES GARANTIES DE QUALITE MARCHANDE OU D'ADAPTATION A UN OBJECTIF PARTICULIER, SONT EXCLUES PAR LES PRESENTES. AMPROBE, LA SOCIETE MERE OU SES FILIALES NE PEUVENT EN AUCUN CAS ETRE TENUES RESPONSABLES DES DOMMAGES PARTICULIERS, INDIRECTS, ACCIDENTELS OU CONSECUTIFS, NI D'AUCUNS DEGATS OU PERTES DE DONNEES, SUR UNE BASE CONTRACTUELLE, EXTRA-CONTRACTUELLE OU AUTRE. Etant donné que certaines juridictions n'admettent pas les limitations d'une condition de garantie implicite, ou l'exclusion ou la limitation de dégâts accidentels ou consécutifs, il se peut que les limitations et/ou les exclusions de cette garantie ne s'appliquent pas à votre cas.

Réparation

Tous les outils de test renvoyés pour un étalonnage ou une réparation couverte ou non par la garantie doivent être accompagnés des éléments suivants : nom, raison sociale, adresse, numéro de téléphone et justificatif d'achat. Ajoutez également une brève description du problème ou du service demandé et incluez les cordons de mesure avec l'appareil. Les frais de remplacement ou de réparation hors garantie doivent être acquittés par chèque, mandat, carte de crédit avec date d'expiration, ou par bon de commande payable à l'ordre de Amprobe® Test Tools.

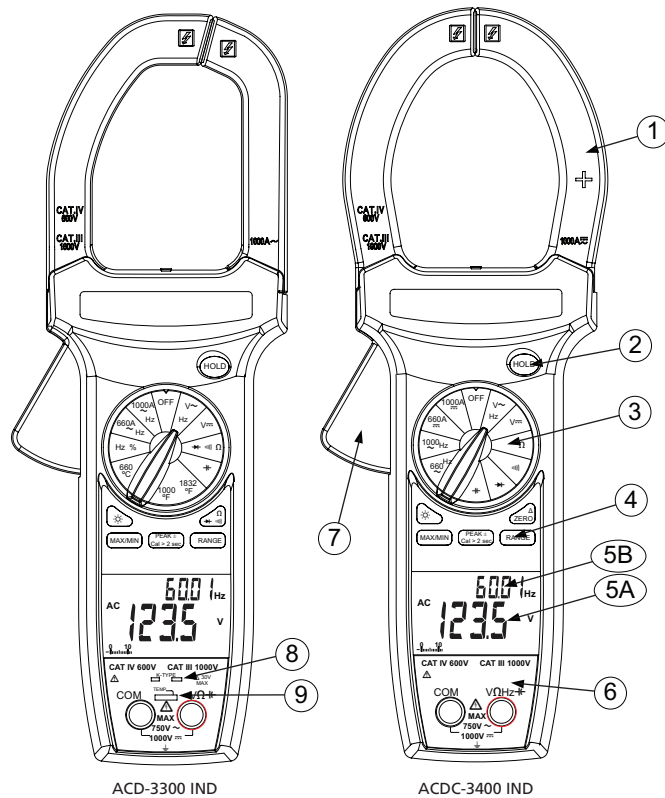
Remplacements et réparations sous garantie – Tous pays

Veillez lire la déclaration de garantie et vérifier la pile avant de demander une réparation. Pendant la période de garantie, tout outil de test défectueux peut être renvoyé auprès de votre distributeur Amprobe® Test Tools pour être échangé contre un produit identique ou similaire. Consultez la section « Where to Buy »

région. Au Canada et aux Etats-Unis, les appareils devant être remplacés ou réparés sous garantie peuvent également être envoyés dans un centre de services Amprobe® Test Tools (voir page suivante pour les adresses).

Remplacements et réparations hors garantie – Canada et Etats-Unis

Les appareils à réparer hors garantie au Canada et aux Etats-Unis doivent être envoyés dans un centre de services Amprobe® Test Tools. Appelez Amprobe® Test Tools ou renseignez-vous auprès de votre lieu d'achat pour connaître les tarifs en vigueur de remplacement ou de réparation.



ACD-3300 IND








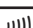

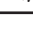



ACDC-3400 IND

- ❶ Mâchoires pour tests de courant
- ❷ Bouton de maintien HOLD
- ❸ Sélecteur de fonction
- ❹ Boutons de fonctions auxiliaires
- ❺A Affichage LCD principal
- ❺B Affichage LCD secondaire
- ❻ Jacks d'entrée pour d'autres fonctions que le courant
- ❼ Gâchette d'ouverture des mâchoires de courant
- ❽ Jacks d'entrée de température
- ❾ Molette de température

**Pinces multimètres industrielles
CAT IV ACD-3300 IND/ACDC-3400 IND TRMS**

Symboles.....	21
Consignes de sécurité.....	21
▲ Mises en garde et précautions.....	21
Déballage et vérification du contenu.....	22
Introduction.....	22
Fonctions Auxiliaires.....	22
Bouton poussoir PEAK+/-	22
Bouton MAX/MIN	22
▲ Mesure ZERO (relative) (ACDC-3400 IND uniquement)	23
Bouton HOLD	23
Bouton RANGE.....	23
☼ Bouton poussoir de rétroéclairage	23
Mise en veille automatique (APO).....	23
Fonctionnement.....	23
Mesure de tension continue (voir fig. 2).....	23
Mesure de tension alternative (voir fig. 2).....	23
Mesure de courant alternatif (voir fig. 3)	23
Mesure de courant continu (ACDC-3400 IND uniquement) (voir fig. 3)	24
Mesure de fréquence/Rapport cyclique en % (voir Fig. 2)	24
Mesure de capacité (voir Fig. 4).....	24
Mesure de résistance (voir fig. 5).....	24
Contrôle de continuité (voir fig. 5).....	24
Contrôle de diode (voir fig. 5)	24
Mesure de température (ACD 3300 IND uniquement) (voir fig. 6)	25
Entretien et réparation	25
Changement des piles (voir fig. 7)	25
Caractéristiques.....	25

SYMBOLES


	Batterie		Se reporter au mode d'emploi
	Double isolation		Tension dangereuse
	Courant continu		Prise de terre
	Courant alternatif		Signal sonore
	Conformes aux normes australiennes pertinentes.		Conforme aux directives de l'UE
	Ne pas mettre ce produit au rebut parmi les déchets ménagers.		Underwriters Laboratories. [Remarque : Normes canadiennes et américaines.]
	L'application et le retrait de la pince à proximité de conducteurs sous tension dangereuse sont autorisés.		

CONSIGNES DE SÉCURITÉ

- Les pinces multimètres numériques modèles ACD-3300 IND et ACDC-3400 IND sont compatibles avec EN61010-1:2001 ; EN610102-032:2002 ; CAT IV 600 V, CAT III 1000 V, classe II et degré de pollution 2. EMC: conforms to EN61326-1.
- Chaque instrument est certifié conforme à la norme EN61010-1 pour les installations de catégorie IV (600 V). Il est recommandé pour les lignes du réseau d'alimentation électrique principale, les lignes aériennes ou les systèmes câblés, et pour les installations fixes et les équipements au niveau distribution, ainsi que pour les installations de catégories inférieures.
- Ne pas dépasser les limites de surcharge maximum par fonction (voir les caractéristiques techniques) ou les limites indiquées sur l'appareil lui-même. Ne jamais appliquer plus de 1000 V c.c./750 V c.a. eff. entre le cordon de mesure et la prise de terre.

Mises en garde et précautions

- Avant et après les mesures de tensions dangereuses, tester la fonction de tension sur une source connue, une tension secteur p. ex., pour déterminer le bon fonctionnement du multimètre.
- Débrancher les cordons de mesure des points de test avant de changer de fonction sur le multimètre.
- Débrancher les cordons de mesure du multimètre avant de mesurer le courant.
- Inspecter la pince multimètre, les cordons de mesure et les accessoires avant toute utilisation. Ne pas utiliser de pièce endommagée.
- Ne jamais se relier à la terre en prenant des mesures. Ne toucher ni aux éléments de circuit exposés ni aux pointes des sondes de test.
- Ne pas utiliser l'appareil dans une atmosphère explosive.
- Pour réduire le risque d'incendie ou d'électrocution, ne pas exposer cet appareil à l'humidité ou à la pluie.
- Le multimètre est destiné à être utilisé à l'intérieur uniquement. Pour éviter les chocs électriques, observer les précautions de sécurité appropriées en intervenant sur des tensions supérieures à 60 V c.c. ou à 42,4 V cr. ou 30 V. c.a. eff. Ces niveaux de tension présentent un risque d'électrocution pour l'utilisateur.
- Avant et après les mesures de tensions dangereuses, tester la fonction de tension sur une source connue, une tension secteur p. ex., pour déterminer le bon fonctionnement du multimètre.
- Garder les mains/doigts derrière les collerettes de protection qui indiquent les limites de sécurité du multimètre et des cordons pendant la mesure.
- Inspecter les cordons de mesure, les connecteurs et les sondes pour détecter l'endommagement de l'isolant ou les parties métalliques exposées avant d'utiliser l'instrument. Remplacer immédiatement l'élément si des défauts sont détectés.

- Cette pince multimètre est destinée à être retirée ou appliquée aux conducteurs non isolés sous tension dangereuse. Utiliser des équipements de protection individuelle si des pièces sous tension dangereuse risquent d'être accessibles.
- Faire preuve d'extrême prudence en : mesurant une tension > 20 V // un courant > 10 mA // les lignes d'alimentation secteur avec charges inductives // les lignes d'alimentation secteur pendant les orages électriques // un courant alors que le fusible a sauté dans un circuit avec une tension en circuit ouvert > 1000 V // lors d'une intervention sur un appareil à écran cathodique.
- Retirer les cordons de mesure avant d'ouvrir le boîtier pour changer les piles.
- Débrancher l'alimentation du circuit et décharger tous les condensateurs à tension élevée avant de contrôler la résistance, la continuité, les diodes ou la capacité.
- Pour éviter les mesures erronées qui posent des risques d'électrocution ou de blessure, remplacer la pile dès que l'indicateur d'état de pile faible (🔋) apparaît.
- Pour éviter les chocs électriques, ne pas utiliser le mode de maintien d'affichage HOLD  pour déterminer si un circuit est sous tension. Les lectures instables ne sont ni capturées ni affichées.

⚠ ATTENTION

- Pour les mesures de courant A.c.a. non invasives, serrer les mâchoires autour d'un conducteur du circuit pour mesurer le courant de charge. La prise en compte simultanée de plusieurs conducteurs entraîne des mesures erronées.

DÉBALLAGE ET VÉRIFICATION DU CONTENU

Le carton d'emballage doit inclure les éléments suivants:

- 1 ACD-3300 IND ou ACDC-3400 IND
- 1 Jeu de cordons de mesure
- 1 Pile 9 V (installée)
- 1 Mode d'emploi
- 1 Mallette de transport
- 1 Thermocouple de type K (modèle ACD-3300 IND uniquement)

Si l'un de ces éléments est endommagé ou manquant, renvoyez immédiatement le contenu complet de l'emballage au lieu d'achat pour l'échanger.

INTRODUCTION

Les modèles ACD-3300 IND et ACDC-3400 IND sont des pinces multimètres TRMS de 1000 A c.a. et de 750 V c.a./1000 V c.c. Ils proposent les fonctions de mesure suivantes : tension c.a./c.c., courant c.a./c.c. (ACDC-3400 IND), résistance, rapport cyclique, diode, résistance, capacité, continuité et mesure relative (ACDC-3400 IND). Le modèle ACD-3300 IND mesure également la température jusqu'à 1000 °C (1832 °F)

FONCTIONS AUXILIAIRES

Bouton poussoir PEAK+/-

Utilisé pour enregistrer les valeurs crête + et - des mesures de courants alternatifs et de tensions alternatives.

Effectuez une mesure c.a. normale et appuyez sur le bouton PEAK. La valeur PEAK est affichée dans la fenêtre secondaire et la valeur réelle dans la fenêtre principale. Cette gamme de fonction se verrouille sur la gamme normale utilisée ; elle affiche OL si l'entrée dépasse la gamme maximale.

Remarque : Si le bouton PEAK ± est enfoncé pendant > 2 secondes, la fonction PEAK passe en mode d'étalonnage, l'écran LCD affiche « CAL » et le tampon interne mémorise la tension de décalage interne avant de revenir en mode de mesure. Pour quitter le mode « CAL », mettez le multimètre hors tension (OFF).

Bouton MAX/MIN

« MAX » affiche la valeur maximum d'une série de mesures. « MIN » affiche la valeur minimum d'une série de mesures. « MAX/MIN » apparaît et clignote dans l'écran LCD pour afficher la valeur mesurée. Pour quitter, appuyez sur le bouton MAX/MIN pendant plus de 2 secondes.

Δ Mesure ZERO (relative) (ACDC-3400 IND uniquement)

Le mode relatif affiche la différence entre la valeur réelle et la valeur de référence. Il peut être utilisé avec toutes les fonctions ou gammes. Pour effectuer une mesure relative, établissez la valeur de référence en mesurant une valeur et en appuyant sur le bouton **Δ** une fois la lecture stabilisée. Cela permet de mémoriser la valeur mesurée en tant que référence et de mettre l'affichage à zéro. Le multimètre soustrait la valeur de référence des mesures consécutives et affiche cette différence en tant que valeur relative. Les valeurs de mesure supérieures à la valeur de référence seront positives et les valeurs inférieures à la valeur de référence négatives. Pour quitter le mode de mesure relative, maintenez le bouton **Δ** enfoncé pendant 2 secondes.

Cette fonction permet de régler le zéro du courant continu pour les ampères en c.c.

Bouton HOLD

Le maintien des données fige la valeur présente sur l'écran LCD au moment de la pression du bouton. Pour utiliser cette fonction du menu, configurez le multimètre pour le type de mesure et la gamme souhaitées. Branchez les cordons de mesure au circuit/composant mesuré et appuyez sur le bouton poussoir HOLD. L'écran LCD fige la valeur affichée et « HOLD » apparaît. Vous pouvez maintenant retirer les cordons de mesure ; la valeur relevée reste affichée tant que le bouton HOLD n'est pas enfoncé une nouvelle fois.

Bouton RANGE

Permet à l'utilisateur de sélectionner la gamme d'une fonction qui n'affiche pas « RANGE » sur l'écran LCD.

☼ Bouton poussoir de rétroéclairage

Active ou désactive le rétroéclairage.

Mise en veille automatique (APO)

La pince multimètre s'éteint automatiquement après environ 30 minutes d'inactivité. Pour désactiver la mise en veille automatique, mettez le multimètre hors tension (OFF), maintenez le bouton (RANGE) ou (MAX/MIN) enfoncé tout en réglant le sélecteur sur la position souhaitée pour la gamme. Relâchez le bouton lorsque l'écran LCD s'affiche normalement. Notez la disparition de l'indicateur « APO » de l'écran LCD.

FONCTIONNEMENT

Mesure de tension continue (voir fig. 2)

1. Réglez le commutateur de fonction sur V_{DC} .
2. Branchez les cordons de mesure : rouge à +, noir à COM.
3. Branchez les sondes de test aux points de test du circuit.
4. Lisez l'affichage et corrigez le cas échéant toute surcharge (OL).

Mesure de tension alternative (voir fig. 2)

Attention : Pour les tensions inférieures à 0,2 V, la lecture de fréquence risque d'être instable.

1. Réglez le commutateur de fonction sur V_{AC} .
2. Branchez les cordons de mesure : rouge à +, noir à COM.
3. Branchez les sondes de test aux points de test du circuit.
4. Relevez la tension sur la fenêtre principale et la fréquence sur la fenêtre secondaire et corrigez le cas échéant toute surcharge (OL).

Mesure de courant alternatif (voir fig. 3)

Attention : Pour les courants inférieurs à 10 A, la lecture de fréquence risque d'être instable.

1. Réglez le commutateur de fonction sur la position A_{AC} .
2. Ouvrez la pince à ressort en appuyant sur le levier à gauche du multimètre.
3. Serrez la pince autour d'un fil ou d'un conducteur et relâchez le levier de la pince. Le fil doit être centré à l'intérieur des mâchoires.
4. Relevez le courant sur la fenêtre principale et la fréquence sur la fenêtre secondaire et corrigez le cas échéant toute surcharge (OL).

Mesure de courant continu (ACDC-3400 IND uniquement) (voir fig. 3)

1. Réglez le commutateur de fonction sur A⁻⁻⁻.
2. Appuyez sur le bouton Δ pour annuler le décalage des ampères en c.c.
3. Ouvrez la pince à ressort en appuyant sur le levier à gauche du multimètre.
4. Serrez la pince autour d'un fil ou d'un conducteur et relâchez le levier de la pince. Le fil doit être centré à l'intérieur des mâchoires.
5. Relevez la valeur affichée.

Mesure de fréquence/Rapport cyclique en % (voir Fig. 2)

1. Sélectionnez la position « Hz ».
2. Branchez les cordons de mesure : rouge à +, noir à COM.
3. Branchez les sondes de test aux points de test du circuit.
4. Relevez la fréquence sur la fenêtre principale et le rapport cyclique sur la fenêtre secondaire, et corrigez le cas échéant toute surcharge (OL).

Mesure de capacité (voir Fig. 4)

Remarque : Lorsque l'écran LCD indique « di .c », alors que le condensateur à tester est branché, une tension est présente sur le condensateur et celui-ci doit être déchargé avant les tests.

1. Sélectionnez la position « F ».
2. Branchez les cordons de mesure : rouge à +, noir à COM.
3. Branchez les sondes de test aux points de test du circuit.
4. Lisez l'affichage et corrigez le cas échéant toute surcharge (OL).

Δ ATTENTION

L'utilisation des fonctions de résistance ou de continuité sur un circuit sous tension produit des résultats erronés et risque d'endommager l'instrument. Le plus souvent, le composant suspect doit être débranché du circuit pour obtenir une mesure précise.

Mesure de résistance (voir fig. 5)

1. Réglez le commutateur de fonction sur Ω . Utilisez le bouton « $\Omega \rightarrow \text{F}$ » pour sélectionner le test de résistance (ACD-3300 IND uniquement).
2. Branchez les cordons de mesure : rouge à +, noir à COM.
3. Mettez hors tension le circuit à mesurer. Ne mesurez jamais la résistance aux bornes d'une source de tension ou sur un circuit sous tension.
4. Déchargez les condensateurs susceptibles d'influencer la lecture.
5. Branchez les sondes de test aux bornes de la résistance.
6. Lisez le résultat affiché. L'affichage OL sur la gamme la plus élevée indique que la résistance est trop grande pour être mesurée ou que le circuit est ouvert.

Contrôle de continuité (voir fig. 5)

1. Réglez le commutateur de fonction sur ||| . Utilisez le bouton « $\Omega \rightarrow \text{|||}$ » pour sélectionner le ||| test (ACD-3300 IND uniquement).
2. Branchez les cordons de mesure : rouge à +, noir à COM.
3. Mettez hors tension le circuit à mesurer.
4. Déchargez les condensateurs susceptibles d'influencer la lecture.
5. Branchez les sondes de test aux bornes de la résistance ou aux deux points du test.
6. Notez la tonalité qui indique la continuité (< 30 Ω).

Contrôle de diode (voir fig. 5)

1. Réglez le sélecteur de fonction sur la position « \rightarrow ». Utilisez le bouton « $\Omega \rightarrow \text{|||}$ » pour sélectionner le contrôle de diode (ACD-3300 IND uniquement).
2. Reliez le cordon de mesure rouge à la prise « V Ω » et le cordon de mesure noir à la prise « COM ».
3. Mettez le circuit testé hors tension. La présence d'une tension externe aux bornes des composants entraîne des mesures erronées.

4. Touchez la diode avec les sondes. Une baisse de tension directe est d'environ 0,6 V (typique pour une diode au silicium).
5. Inversez les sondes. Si la diode est bonne, « OL » apparaît. Si la diode est en court-circuit, « 0.00 » ou un autre chiffre est affiché.
6. Si la diode est ouverte, « OL » apparaît dans les deux sens.
7. Indication sonore : Inférieure à 30 Ω.

Mesure de température (ACD 3300 IND uniquement) (voir fig. 6)

1. Assurez-vous que l'emplacement testé n'est pas sous tension électrique.
2. Réglez le commutateur de fonction sur °C et sur la gamme, ou sur °F et sur la gamme.
3. Réglez la molette sur la position TEMP. Introduisez la fiche du thermocouple correspondant à la largeur de la fente.
4. Branchez la boule du thermocouple au point de test.
5. Lisez l'affichage. Si OL apparaît sur l'affichage, la température est trop grande pour être mesurée ou le thermocouple est ouvert.

Remarque : Les cordons de mesure doivent être retirés pour déplacer la plaque coulissante et permettre l'insertion du thermocouple.

ENTRETIEN ET RÉPARATION

En cas de dysfonctionnement pendant le fonctionnement du multimètre, procédez comme suit pour isoler la cause du problème :

1. Vérifiez la pile.
2. Consultez les consignes d'utilisation pour vérifier les erreurs possibles lors de l'utilisation.
3. Inspectez et testez les cordons de mesure pour détecter un branchement intermittent ou brisé.

A l'exception du changement des piles ou des sondes de test, les interventions sur le multimètre doivent être effectuées en usine dans un centre de service agréé ou par un autre personnel de réparation qualifié. La face avant et le boîtier peuvent être nettoyés à l'aide d'une solution légère à base d'eau et de détergent. Appliquez cette solution avec modération en utilisant un tissu doux et laissez bien sécher avant l'utilisation. N'utilisez pas de solvants à base de chlore ou d'hydrocarbures aromatiques pour le nettoyage.

Changement des piles (voir fig. 7)

⚠ Avertissement

Pour éviter les chocs électriques ou l'endommagement du multimètre, débrancher les cordons de mesure du circuit et du multimètre et mettre l'appareil hors tension avant de retirer le capot du boîtier. Les piles doivent être remplacées dans un environnement propre et avec soin pour ne pas contaminer les composants internes du multimètre.

1. Retirez les vis et soulevez le couvercle du compartiment de pile.
2. Remplacez la pile par le même type de pile de 9 V.
Notez le repère de polarité sous la pile.
3. Remplacez le boîtier dorsal et les vis.

CARACTÉRISTIQUES

Caractéristiques générales

Affichage : Affichage à cristaux liquides (LCD) à 3¼ chiffres (6600 comptes) avec graphique incrémental analogique à 66 segments

Polarité : Indication de la polarité négative, à implication positive, automatique

Dépassement de gamme : (OL) ou (-OL) s'affiche

Zéro : Automatique

Témoin de pile faible : Le symbole «  » apparaît lorsque la tension de pile passe en dessous du niveau d'exploitation

Arrêt automatique : environ 30 minutes
 Rétroéclairage : Le rétroéclairage s'éteint automatiquement après 60 secondes environ
 Vitesse de mesure : 2,8 fois par seconde, nominal
 Affichage analogique : 28 fois par seconde
 Environnement de fonctionnement : 0 °C à 50 °C (32 °F à 122 °F) à < 70 % H.R.
 Température d'entreposage : -20 °C à 60 °C (-4 °F à 140 °F) à 80 % H.R. avec la pile extraite du multimètre
 Coefficient thermique : 0,1 x (précision spécifiée) par °C. (0 °C à 18 °C, 28 °C à 50 °C)
 Environnement : 2000 m (6561,7 pieds), à l'intérieur des locaux
 Capacité d'ouverture des mâchoires : conducteur de 57 mm (2,0 po)
 Alimentation : Pile standard unique de 9 volts, NEDA 1604, JIS 006P, CEI 6F22
 Durée de la pile : 75 heures en moyenne avec une pile au carbone-zinc ; 150 heures avec une pile alcaline
 Dimensions :
 ACDC-3400 IND : 283 x 105 x 50 mm (11,1 x 4 x 2,1 po)
 ACD-3300 IND : 283 x 105 x 50 mm (11 x 4 x 2,1 po)
 Poids :
 ACDC-3400 IND : 559 gm (1,23 lb)
 ACD-3300 IND : 500 gm (1,10 lb)
 Sécurité : LVD est conforme à EN61010-1:2001 et à EN61010-2-032:2002, CAT III 1000 V, CAT IV 600 V, classe II et degré de pollution 2

CE CEM : EN 61326-1:2006 Ce produit est conforme aux exigences des directives suivantes de la Communauté européenne : 2004/108/CE (Compatibilité électromagnétique) et 2006/95/CE (Basse tension) modifié par 93/68/CEE (marquage CE). Toutefois, le bruit électrique ou les champs électromagnétiques intenses à proximité de l'équipement sont susceptibles de perturber le circuit de mesure. Les appareils de mesure réagissent également aux signaux indésirables parfois présents dans le circuit de mesure. Les utilisateurs doivent faire preuve de prudence et prendre les mesures nécessaires pour éviter les erreurs de mesure en présence de parasites électromagnétiques.

Electricité

Précision : Précision déclarée à 23 °C ± 5 °C, < 75 % HR

VOLTS C.C.

Gammes	Précision
660,0 mV ; 6,600 V ; 66,00 V ; 660,0 V ; 1000 V	± (0,5 % de lecture + 2 chiffres)

Impédance d'entrée : 660 mV : > 100 MΩ ; 6,6 V : 10 MΩ ; 66 V à 1000 V : 9,1 MΩ
 Protection contre les surcharges : 1000 V c.c. ou 750 V c.a. eff.

MESURE EFF. VRAIE EN VOLTS C.A.

Gammes :	Fréquence	Précision
660,0 mV	de 50 à 100 Hz	± (1,5 % de lecture + 8 chiffres)
6,600 V ; 66,00 V	de 50 à 500 Hz	± (1,5 % de lecture + 8 chiffres)
660,0 V ; 750 V	de 50 à 500 Hz	± (1,5 % de lecture + 8 chiffres)
Fréquence**	de 50 à 1 KHz	± (0,1 % de lecture + 5 chiffres)

Temps de réaction du maintien de crête :

Gammes :	Fréquence	Précision
66,00 V ; 660,0 V ; 750 V	de 50 à 500 Hz	± (3,0 % de lecture + 200 chiffres)

**Fréquence : de 10 % à 100 % de la gamme de tension

Mesure eff. vraie couplée en c.a. : de 5 % à 100 % de la gamme

Facteur de crête : ≤ 3

Impédance d'entrée : 660 mV : > 100 MΩ ; 6,6 V : 10 MΩ ; 66 V à 750 V : 9,1 MΩ

Protection contre les surcharges : 1000 V c.c. ou 750 V c.a. eff.

MESURE EFF. VRAIE EN COURANT ALTERNATIF

Gammes :	Fréquence	Précision
66,00 A*	de 50 à 60 Hz	± (2,0 % de lecture + 10 chiffres)
66,00 A*	de 61 à 400 Hz	± (3,0 % de lecture + 10 chiffres)
660,0 A	de 50 à 60 Hz	± (2,0 % de lecture + 10 chiffres)
660,0 A	de 61 à 400 Hz	± (3,0 % de lecture + 10 chiffres)
1000 A	de 50 à 60 Hz	± (2,5 % de lecture + 10 chiffres)
1000 A	de 61 à 400 Hz	± (3,5 % de lecture + 10 chiffres)
Fréquence**	de 50 à 1 kHz	± (0,1 % de lecture + 5 chiffres)

Maintien de crête :

Gammes :	Fréquence	Précision
66,00 A* ; 660,0 A ; 1000 A	de 50 à 400 Hz	± (3,0 % de lecture + 200 chiffres)

* ACD-3300 IND uniquement

** Fréquence : de 10 % à 100 % de la gamme de courant

Mesure eff. vraie couplée en c.a. : de 5 % à 100 % de la gamme

Facteur de crête : ≤ 3

Protection contre les surcharges : 1000 A c.a.

COURANT C.C. (ACDC-3400 IND uniquement)

Gamme	Précision
660,0 A	± (2,0 % de lecture + 5 chiffres)
1000 A	± (3,0 % de lecture + 5 chiffres)

Protection contre les surcharges : 1000 A c.c.

RESISTANCE

Gamme	Précision
660,0 Ω, 6,600 kΩ	± (1,0 % de lecture + 5 chiffres)
66,00 kΩ, 660,0 kΩ	
6,600 MΩ	± (2,0 % de lecture + 5 chiffres)
66,00 MΩ	± (3,5 % de lecture + 5 chiffres)

Volts en circuit ouvert : -1,2 V c.c. typique, (-3,5 V c.c. sur la gamme 660 Ω)

Protection contre les surcharges : 1000 V c.c. ou 750 V c.a. eff.

CAPACITE

Gamme	Précision
6,600 nF, 660 nF	± (3,0 % de lecture + 20 chiffres)
66 nF, 6,600 μF, 66,00 μF, 660,0 μF	± (3,0 % de lecture + 10 chiffres)
6,6 mF	± (5,0 % de lecture + 10 chiffres)

Protection contre les surcharges : 1000 V c.c. ou 750 V c.a. eff.

TEMPERATURE (ACD-3300 IND uniquement)

Gamme	Précision
0,0 °C à 400,0 °C	± (1,0 % + 1 °C)
-35,0 °C à 0,0 °C ; 400 °C à 1000 °C	± (2,0 % + 3 °C)
32,0 °F à 750,0 °F	± (1,0 % + 2 °F)
-30,0 °F à 32,0 °F ; 750 °F à 1832 °F	± (2,0 % + 6 °F)

Type de capteur : Thermocouple de type K

Protection contre les surcharges : 30 V max

CONTROLE DE DIODE

Courant de test : 0,8 mA (approximatif)

Précision : \pm (1,5 % de lecture + 5 chiffres)

Volts en circuit ouvert : 3,2 V c.c. typique

Indication sonore : < 0,03 V

Protection contre les surcharges : 1000 V c.c. ou 750 V c.a. eff.

CONTINUE

Gammes : 660,0 Ω

Indication sonore : < 30 Ω

Temps de réponse : 500 ms

Protection contre les surcharges : 1000 V c.c. ou 750 V c.a. eff.

FREQUENCE (Gamme automatique)

Gamme	Précision
66,00 Hz ; 660,0 Hz ; 6,600 kHz ; 66,00 kHz ; 660,0 kHz ; 1,000 MHz	\pm (0,1% de lecture + 5 chiffres)

Sensibilité : de 10 Hz à 1 MHz : > 3,5 V eff.

Largeur d'impulsion minimum : > 1 us

Limites du rapport cyclique: >30% et <70%

% DE RAPPORT CYCLIQUE

Gamme : de 5,0 % à 95,0 %

Résolution : 0,1 %

Largeur d'impulsion minimum : > 10 us

Gamme de fréquence : de 40 Hz à 20 kHz

Précision (5 V logique) : \pm (2 % de lecture + 10 chiffres)

Protection contre les surcharges : 1000 V c.c. ou 750 V c.a. eff.

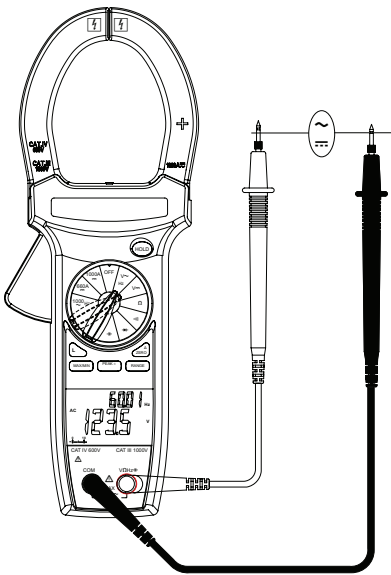


Fig 2. Tension \ Fréquence \ Rapport cyclique

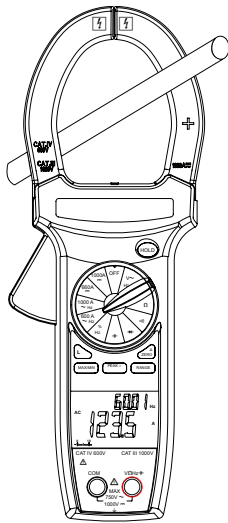


Fig 3. Courant

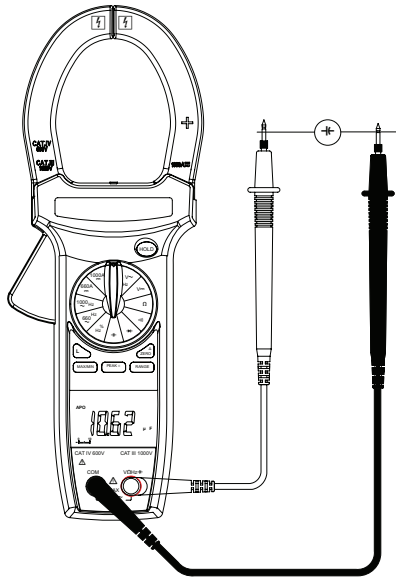


Fig 4. Capacité

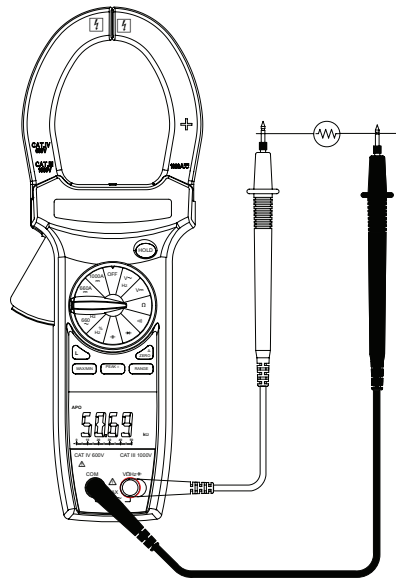


Fig 5. Résistance \ Continuité \ Diode

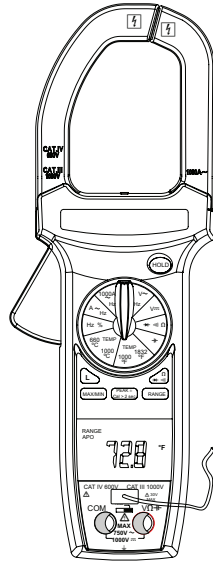


Fig 6. Température (ACD-3300 IND uniquement)

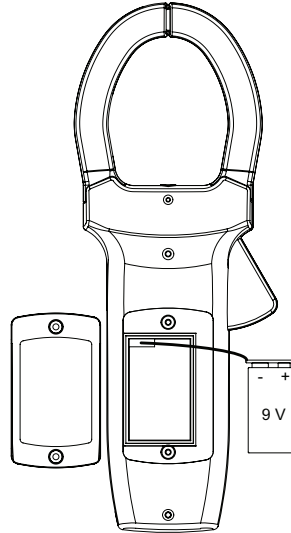


Fig 7. Changement des piles



ACD-3300 IND
ACDC-3400 IND
CAT IV Industrielle
Echteffektivwert-
Zangenmessgeräte

Bedienungshandbuch

Deutsch

ACD3300ACDC3400_Rev001
© 2009 Amprobe Test Tools.
Alle Rechte vorbehalten.

Beschränkte Gewährleistung und Haftungsbeschränkung

Es wird gewährleistet, dass dieses Amprobe-Produkt für die Dauer von einem Jahr ab dem Kaufdatum frei von Material- und Fertigungsdefekten ist. Diese Gewährleistung erstreckt sich nicht auf Sicherungen, Einwegbatterien oder Schäden durch Unfälle, Nachlässigkeit, Missbrauch, Änderungen oder abnormale Betriebsbedingungen bzw. unsachgemäße Handhabung. Die Garantieverpflichtung von Amprobe beschränkt sich darauf, dass Amprobe nach eigenem Ermessen den Kaufpreis ersetzt oder aber das defekte Produkt unentgeltlich repariert oder austauscht. Die Verkaufsstellen sind nicht dazu berechtigt, diese Gewährleistung im Namen von Amprobe zu erweitern. Um während der Gewährleistungsperiode Serviceleistungen zu beanspruchen, das Produkt mit Kaufnachweis an ein autorisiertes Amprobe Test Tools Service-Center oder an einen Amprobe-Fachhändler/-Distributor einsenden. Nähere Einzelheiten siehe Abschnitt „Reparatur“. DIESE GEWÄHRLEISTUNG STELLT DEN EINZIGEN UND ALLEINIGEN RECHTSANSPRUCH AUF SCHADENERSATZ DAR. ALLE ANDEREN GEWÄHRLEISTUNGEN, VERTRAGLICH GEREGLTE ODER GESETZLICH VORGESCHRIEBENE, EINSCHLIESSLICH DER GESETZLICHEN GEWÄHRLEISTUNG DER MARKTFÄHIGKEIT UND DER EIGNUNG FÜR EINEN BESTIMMTEN ZWECK, WERDEN ABGELEHNT. WEDER AMPROBE NOCH DESSEN MUTTERGESELLSCHAFT ODER TOCHTERGESELLSCHAFTEN ÜBERNEHMEN HAFTUNG FÜR SPEZIELLE, INDIREKTE, NEBEN- ODER FOLGESCHÄDEN ODER FÜR VERLUSTE, DIE AUF BELIEBIGER URSACHE ODER RECHTSTHEORIE BERUHEN. Weil einige Staaten oder Länder den Ausschluss oder die Einschränkung einer implizierten Gewährleistung sowie den Ausschluss von Begleit- oder Folgeschäden nicht zulassen, ist diese Gewährleistungsbeschränkung möglicherweise für Sie nicht gültig.

Reparatur

Alle Geräten, die innerhalb oder außerhalb des Garantiezeitraums zur Reparatur oder Kalibrierung eingeschickt werden, müssen mit folgenden Informationen und Dokumenten versehen werden: Name des Kunden, Firmenname, Adresse, Telefonnummer und Kaufbeleg. Zusätzlich bitte dem Messgerät eine kurze Beschreibung des Problems oder der gewünschten Wartung sowie die Messleitungen beilegen. Die Gebühren für Reparaturen außerhalb der Garantie oder für den Ersatz von Instrumenten müssen per Scheck, Geldanweisung oder Kreditkarte (Kreditkartennummer mit Ablaufdatum) beglichen werden oder es muss ein Auftrag an Amprobe® Test Tools formuliert werden.

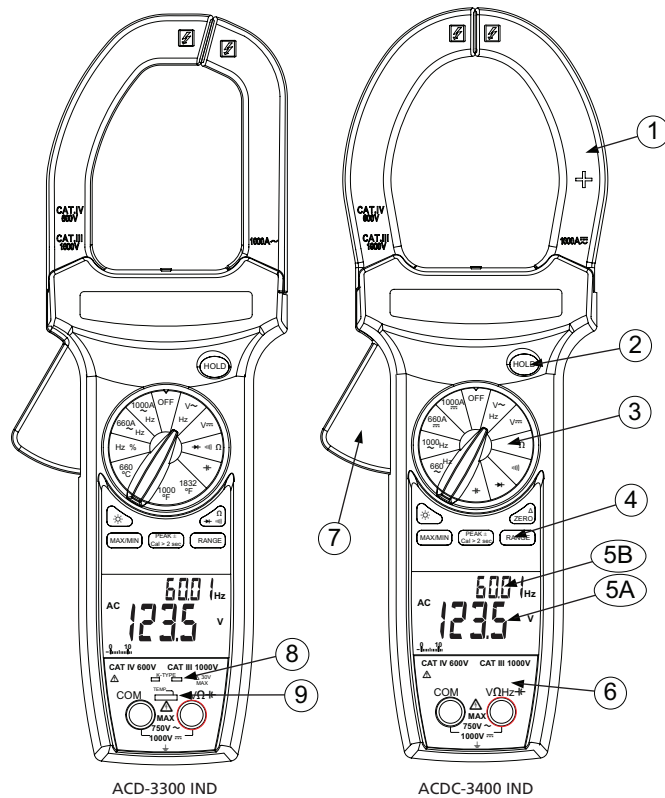
Garantiereparaturen und -austausch - alle Länder

Bitte die Garantieerklärung lesen und die Batterie prüfen, bevor Reparaturen angefordert werden. Während der Garantieperiode können alle defekten Geräte zum Umtausch gegen dasselbe oder ein ähnliches Produkt an den Amprobe® Test Tools-Distributor geschickt werden. Ein Verzeichnis der zuständigen Distributoren ist im Abschnitt „Where to Buy“ (Verkaufsstellen) auf der Website

Geräte an ein Amprobe® Test Tools Service-Center (Adresse siehe nächste Seite) zur Reparatur oder zum Umtausch eingeschickt werden.

Reparaturen und Ersatz außerhalb des Garantiezeitraums - USA und Kanada

Für Reparaturen außerhalb des Garantiezeitraums in den Vereinigten Staaten und in Kanada werden die Geräte an ein Amprobe® Test Tools Service-Center geschickt. Auskunft über die derzeit geltenden Reparatur- und Austauschgebühren erhalten Sie von Amprobe® Test Tools oder der Verkaufsstelle.



ACD-3300 IND






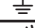

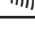





ACDC-3400 IND

- ① Backen für Stromprüfungen
- ② HOLD-Taste
- ③ Drehschalter für Funktionsauswahl
- ④ Hilfsfunktionstasten
- ⑤A Primäre LCD-Anzeige
- ⑤B Sekundäre LCD-Anzeige
- ⑥ Eingangsbuchsen für Funktionen außer Strom
- ⑦ Auslöser zum Öffnen der Strombacken
- ⑧ Temperatureingangsbuchsen
- ⑨ Temperaturschiebeschalter

ACD-3300 IND / ACDC-3400 IND CAT IV Industrielle Echteffektivwert-Zangenmessgeräte

Symbole	37
Sicherheitsinformationen	37
△ Warn- und Vorsichtshinweise	37
Auspacken und Inhalt	38
Einleitung	38
Zusätzliche Funktionen	38
PEAK+/-Taste	38
MAX/MIN-Taste	38
△ ZERO, Relativ-Messungen (nur ACDC-3400 IND)	39
HOLD-Taste	39
RANGE-Taste	39
☉ Hintergrundbeleuchtungstaste	39
Automatische Abschaltung (APO)	39
Bedienung	39
Gleichspannungsmessung (siehe Abb. 2)	39
Wechselspannungsmessung (siehe Abb. 2)	39
Wechselstrommessung (siehe Abb. 3)	39
Gleichstrommessung (nur ACDC-3400 IND) (siehe Abb. 3)	40
Frequenzmessung / % Tastgrad (siehe Abb. 2)	40
Kapazitätsmessung (siehe Abb. 4)	40
Widerstandsmessung (siehe Abb. 5)	40
Kontinuitätsprüfung (siehe Abb. 5)	40
Diodenprüfung (siehe Abb. 5)	41
Temperaturmessung (nur ACD 3300 IND) (siehe Abb. 6)	41
Wartung und Reparatur	41
Auswechseln der Batterie (siehe Abb. 7)	41
Spezifikationen	42
Allgemein	42
Elektrik	42

SYMBOLE

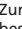
	Batterie		Im Handbuch nachlesen
	Schutzisoliert		Gefährliche Spannung
	Gleichstrom		Erde, Masse
	Wechselstrom		Akustischer Alarm
	Übereinstimmung mit relevanten australischen Normen.		Übereinstimmung mit EU-Richtlinien.
	Dieses Produkt nicht im unsortierten Kommunalabfall entsorgen.		Underwriters Laboratories Inc. [Hinweis: Kanada und USA]
	Anwendung in der Umgebung von gefährlichen, stromführenden Leitern zulässig.		

SICHERHEITSMITTEILUNGEN

- Die digitalen Zangenmessgeräte ACD-3300 IND und ACDC-3400 IND stimmen überein mit EN61010-1:2001; EN61010-2-032:2002; CAT IV 600 V, CAT III 1000 V, Klasse II und Verschmutzungsgrad 2. EMC: conforms to EN61326-1.
- Diese Messgeräte sind EN61010-1-zertifiziert für Installationskategorie IV (600 V). Sie werden für primäre Stromverteilung, Hochspannungsleitungen, Kabelsysteme, auf Verteilungsebene und in Festinstallationen sowie auch in untergeordneten Installationen empfohlen.
- Die maximalen Überlastungsgrenzen der einzelnen Funktionen (siehe Spezifikationen) und die auf dem Messgerät markierten Grenzwerte nicht überschreiten. Zwischen Messleitung und Masse niemals mehr als 1000 V Gleichspannung oder 750 V Wechselspannung eff. anlegen.

⚠ Warn- und Vorsichtshinweise

- Vor und nach gefährlichen Spannungsmessungen die Spannungsfunktion an einer bekannten Quelle, z. B. Netzspannung, testen, um die Funktionsfähigkeit des Messgeräts zu prüfen.
- Die Messleitungen vor dem Wechseln von Messgerätfunktionen von den Prüfpunkten trennen.
- Vor Strommessungen das Messgerät von den Messleitungen trennen.
- Vor jedem Gebrauch das Zangenmessgerät, die Messleitungen und das Zubehör prüfen. Keine beschädigten Teile verwenden.
- Sich selbst isolieren, wenn Messungen durchgeführt werden. Keine freiliegenden Schaltungselemente oder Prüfspitzen/Messleitungen berühren.
- Das Messgerät nicht in Umgebungen mit explosiven Gasen betreiben.
- Um das Risiko von Feuer und Stromschlag zu verringern, dieses Produkt nicht Regen oder Feuchtigkeit aussetzen.
- Das Messgerät ist ausschließlich für Gebrauch in Gebäuden konzipiert. Zur Vermeidung von Stromschlag bei Arbeiten mit Spannungen über 60 V Gleichspannung, 42,4 V Spitze oder 30 V Wechselspannung eff. die ordnungsgemäßen Sicherheitsvorkehrungen beachten. Diese Spannungen stellen eine Stromschlaggefahr für den Bediener dar.
- Vor und nach gefährlichen Spannungsmessungen die Spannungsfunktion an einer bekannten Quelle, z. B. Netzspannung, testen, um die Funktionsfähigkeit des Messgeräts zu prüfen.
- Die Hände/Finger stets hinter dem Hand-/Fingerschutz (des Messgeräts und der Messleitungen) halten, der die Grenzen sicherer Berührung des handgehaltenen Teils während Messungen angibt.
- Vor jedem Gebrauch die Messleitungen, Anschlüsse und Sonden bezüglich beschädigter Isolierung und exponiertem Metall untersuchen. Falls ein Defekt festgestellt wird, das entsprechende Teil unverzüglich ersetzen.
- Dieses Zangenmessgerät ist zum Anlegen (bzw. Abnehmen) an unisolierte, gefährliche stromführende Leiter konzipiert. Es muss persönliche Schutzausrüstung verwendet werden, wenn gefährliche stromführende Teile der Installation u. U. zugänglich sind.

- In den folgenden Situationen außerordentlich große Vorsicht walten lassen:
Messung von Spannung > 20 V // Stromstärke > 10 mA // Wechselspannungsleitungen mit Induktivlasten // Wechselspannungsleitungen während Gewitters // Strom mit einer durchgebrannten Sicherung in einem Schaltkreis mit Leerlaufspannung > 1000 V // bei der Wartung von Kathodenröhrengeräten.
- Vor dem Öffnen des Gehäuses zum Auswechseln der Batterie die Messleitungen entfernen.
- Vor dem Prüfen von Widerstand, Durchgang, Dioden oder Kapazität den Strom des Stromkreises ausschalten und alle Hochspannungskondensatoren entladen.
- Zur Vermeidung falscher Messwerte, die zu Stromschlag oder Verletzungen führen können, die Batterien ersetzen, sobald die Anzeige für schwache Batterien (🔋) eingeblendet wird.
- Zur Vermeidung von Stromschlag nicht den HOLD -Modus verwenden, um zu bestimmen, ob ein Stromkreis Strom führt. Instabile oder gestörte Messwerte werden nicht aufgezeichnet und nicht angezeigt.

⚠ VORSICHT

- Für nicht-invasive ACA-Strommessungen die Backen für Laststrommessungen um einen einzigen Leiter eines Stromkreises klemmen. Mehrere Leiter verursachen fehlerhafte Messwerte.

AUSPACKEN UND INHALT

Der Verpackungskarton sollte Folgendes enthalten:

- 1 ACD-3300 IND oder ACDC-3400 IND
- 1 Messleitungssatz
- 1 9 V Batterie (eingesetzt)
- 1 Bedienungshandbuch
- 1 Tragbehälter
- 1 Thermoelement Typ-K (nur Modell ACD-3300 IND)

Wenn einer dieser Artikel beschädigt ist oder fehlt, unverzüglich die gesamte Sendung für einen Austausch an die Verkaufsstelle zurücksenden.

EINLEITUNG

Die Echteffektivwert-Zangenmessgeräte ACD-3300 IND und ACDC-3400 IND verfügen über automatische Bereichseinstellung bis 1000 ACA und 750 VAC / 1000 VDC. Zu den Funktionen gehören Wechselspannung/Gleichspannung, Wechselstrom/Gleichstrom (ACDC-3400 IND), Frequenz, Tastgrad, Dioden-, Widerstands-, Kapazitäts-, Kontinuitätsprüfungen plus Relativmodus (ACDC-3400 IND). Das Modell ACD-3300 IND misst zudem Temperatur bis 1000 °C (1832 °F).

ZUSÄTZLICHE FUNKTIONEN

PEAK+/-Taste

Wird verwendet, um die Spitzenwerte Peak+ und Peak- für Wechselspannungs- und Wechselstrommessungen aufzuzeichnen.

Die normale Wechselstrommessung vornehmen und dann die PEAK-Taste drücken. Der PEAK-Wert wird auf der sekundären Anzeige angezeigt und der aktuelle Wert wird auf der primären Anzeige angezeigt. Diese Funktion verriegelt den Bereich auf dem normal verwendeten Bereich und zeigt u. U. „OL“ (Überlast) an, falls der Eingang den Bereichsmaximalwert übersteigt.

Hinweis: Wenn die Taste PEAK ± länger als 2 Sekunden gedrückt gehalten wird, schaltet die PEAK-Funktion in den Kalibriermodus, die LCD zeigt „CAL“ an und der interne Puffer merkt sich die interne offsetspannung für eine Rückkehr in den Messmodus. Um den CAL-Modus zu beenden, das Messgerät ausschalten (OFF).

MAX/MIN-Taste

„MAX“ zeigt den Maximalwert eines Satzes von Messungen an. „MIN“ zeigt den Minimalwert eines Satzes von Messungen an. „MAX/MIN“ erscheint auf der LCD und blinkt, um anzuzeigen, dass der Wert derzeit gemessen wird. Um zu beenden, die MAX/MIN-Taste länger als 2 Sekunden gedrückt halten.

Δ ZERO, Relativ-Messungen (nur ACDC-3400 IND)

Der Relativ-Modus zeigt den Unterschied zwischen der tatsächlichen Messung und einem Referenzwert an. Dieser Modus kann mit jeder Funktion oder jedem Bereich verwendet werden. Zur Durchführung relativer Messungen einen Referenzwert erstellen, indem ein Wert gemessen und dann die Δ-Taste gedrückt wird, nachdem sich die Messanzeige stabilisiert hat. Hierdurch wird der gemessene Wert als Referenz gespeichert, und die Anzeige wird auf Null gesetzt. Das Messgerät subtrahiert den Referenzwert von den nachfolgenden Messungen und zeigt diese Differenz als den relativen Wert an. Die Messwerte, die größer als der Referenzwert sind, werden als positive Werte angezeigt, und die Messwerte, die kleiner als der Referenzwert sind, werden als negative Werte angezeigt. Zum Beenden des Relativ-Modus die Δ-Taste zwei Sekunden lang gedrückt halten.

Diese Funktion sollte verwendet werden, um Gleichstromnull für Gleichstromampere festzulegen.

HOLD-Taste

Der Datenhaltemodus hält den aktuellen auf der LCD vorhandenen Messwert zum Zeitpunkt des Tastendrucks fest. Um diese Menüfunktion zu verwenden, das Messgerät für den gewünschten Typ von Messung und den gewünschten Bereich einrichten. Die Messleitungen an den zu messenden Schaltkreis/die zu messende Komponente anschließen und dann die HOLD-Taste drücken. Der Messwert auf der LCD wird festgehalten und HOLD wird eingeblendet. Die Messleitungen können jetzt entfernt werden; der Messwert bleibt unverändert, bis die Taste HOLD erneut gedrückt wird.

RANGE-Taste

Der Benutzer kann damit den Bereich einer Funktion auswählen, der auf der LCD nicht RANGE angibt.

☼ Hintergrundbeleuchtungstaste

Schaltet die Hintergrundbeleuchtung ein bzw. aus.

Automatische Abschaltung (APO)

Dieses Messgerät schaltet nach 30 Minuten automatisch den Strom ab. Um automatische Abschaltung (APO) zu deaktivieren, das Messgerät auf die Position OFF einstellen, die Taste RANGE oder die Taste MAX/MIN drücken und gedrückt halten und gleichzeitig den Drehschalter auf die gewünschte Position drehen. Die Taste loslassen, wenn die normale Anzeige auf der LCD erscheint. Beachten, dass der APO-Anzeiger nicht mehr auf der LDC angezeigt wird.

BEDIENUNG

Gleichspannungsmessung (siehe Abb. 2)

1. Den Funktionsschalter auf V_{DC} stellen.
2. Die Messleitungen anschließen: Rot an +, Schwarz an COM.
3. Die Prüfspitzen/Messleitungen an die Prüfpunkte des Stromkreises anschließen.
4. Die Anzeige ablesen und nötigenfalls vorkommende Überlastbedingungen (OL) korrigieren.

Wechselspannungsmessung (siehe Abb. 2)

Vorsicht: Für Spannungen < 0,2 V ist der Frequenzmesswert möglicherweise instabil.

1. Den Funktionsschalter auf V_{AC} stellen.
2. Die Messleitungen anschließen: Rot an +, Schwarz an COM.
3. Die Prüfspitzen/Messleitungen an die Prüfpunkte des Stromkreises anschließen.
4. Die Spannung von der primären Anzeige und die Frequenz von der sekundären Anzeige ablesen und nötigenfalls vorkommende Überlastbedingungen (OL) korrigieren.

Wechselstrommessung (siehe Abb. 3)

Vorsicht: Für Ströme < 10 A ist der Frequenzmesswert möglicherweise instabil.

1. Den Funktionsschalter auf die Position A_{AC} einstellen.
2. Die Federzange durch Drücken des Hebels an der Seite des Messgeräts öffnen.

3. Die Zange um einen Draht oder Leiter anlegen und den Zangenhebel loslassen. Der Draht sollte innerhalb der Backen zentriert sein.
4. Die Stromstärke von der primären Anzeige und die Frequenz von der sekundären Anzeige ablesen und nötigenfalls vorkommende Überlastbedingungen (OL) korrigieren.

Gleichstrommessung (nur ACDC-3400 IND) (siehe Abb. 3)

1. Den Funktionsschalter auf die Position A^{DC} einstellen.
2. Die Δ -Taste drücken, um das Gleichstromampere-Offset auf Null zu stellen.
3. Die Federzange durch Drücken des Hebels an der Seite des Messgeräts öffnen.
4. Die Zange um einen Draht oder Leiter anlegen und den Zangenhebel loslassen. Der Draht sollte innerhalb der Backen zentriert sein.
5. Den angezeigten Wert ablesen.

Frequenzmessung / % Tastgrad (siehe Abb. 2)

1. Die Position „Hz“ auswählen.
2. Die Messleitungen anschließen: Rot an +, Schwarz an COM.
3. Die Prüfspitzen/Messleitungen an die Prüfpunkte des Stromkreises anschließen.
4. Die Frequenz von der primären Anzeige und den Tastgrad von der sekundären Anzeige ablesen und nötigenfalls vorkommende Überlastbedingungen (OL) korrigieren.

Kapazitätsmessung (siehe Abb. 4)

Hinweis: Wenn der zu prüfende Kondensator angeschlossen ist und die LCD „di .c“ anzeigt, bedeutet das, dass Spannung am Kondensator vorhanden ist, die vor Prüfungen entladen werden muss.

1. Die Position „F“ auswählen.
2. Die Messleitungen anschließen: Rot an +, Schwarz an COM.
3. Die Prüfspitzen/Messleitungen an die Prüfpunkte des Stromkreises anschließen.
4. Die Anzeige ablesen und nötigenfalls vorkommende Überlastbedingungen (OL) korrigieren.

Δ VORSICHT

Die Verwendung der Widerstands- oder Kontinuitätsfunktion in einem stromführenden Schaltkreis erzeugt fehlerhafte Ergebnisse und kann das Messgerät beschädigen. In den meisten Fällen muss die verdächtige Komponente von Schaltkreis getrennt werden, um einen genauen Messwert zu erzielen.

Widerstandsmessung (siehe Abb. 5)

1. Den Funktionsschalter auf Ω stellen. Die Taste $\Omega \rightarrow \text{H} \rightarrow \text{H}$ verwenden, um die Widerstandsprüfung auszuwählen (nur ACD-3300 IND).
2. Die Messleitungen anschließen: Rot an +, Schwarz an COM.
3. Die Stromversorgung des zu messenden Schaltkreises ausschalten. Strom niemals über eine Spannungsquelle oder in einem stromführenden Stromkreis messen.
4. Alle Kondensatoren, die die Messung beeinflussen könnten, entladen.
5. Die Prüflitungen/Messleitungen über dem Widerstand anlegen.
6. Die Anzeige ablesen. Wenn im höchsten Bereich OL erscheint, ist der Widerstand zu hoch, um gemessen zu werden, oder der Schaltkreis ist offen.

Kontinuitätsprüfung (siehe Abb. 5)

1. Den Funktionsschalter auf H stellen. Die Taste $\Omega \rightarrow \text{H} \rightarrow \text{H}$ verwenden, um die H -Prüfung auszuwählen (nur ACD-3300 IND).
2. Die Messleitungen anschließen: Rot an +, Schwarz an COM.
3. Die Stromversorgung des zu messenden Schaltkreises ausschalten.
4. Alle Kondensatoren, die die Messung beeinflussen könnten, entladen.
5. Die Prüfspitzen/Messleitungen über den Widerstand bzw. die zwei Punkte der Prüfung anlegen.
6. Auf den Ton achten, der Kontinuität ($< 30 \Omega$) anzeigt.

Diodenprüfung (siehe Abb. 5)

1. Den Funktionsdrehschalter auf die Position \rightarrow einstellen. Die Taste $\Omega \rightarrow$ verwenden, um Diodenprüfung auszuwählen (nur ACD-3300 IND).
2. Die rote Messleitung an die V Ω -Buchse anschließen und die schwarze Messleitung an die COM-Buchse anschließen.
3. Die Stromversorgung des zu prüfenden Stromkreises ausschalten. Externe Spannung über den Komponenten verursacht ungültige Messwerte.
4. Mit den Sonden die Diode berühren. Ein Vorwärtsspannungsabfall beträgt ungefähr 0,6 V (typisch für eine Silikon-diode).
5. Sonden umkehren. Wenn die Diode in Ordnung ist, wird OL angezeigt. Wenn die Diode kurzgeschlossen ist, wird 0.00 oder eine andere Zahl angezeigt.
6. Wenn die Diode offen ist, wird OL in beiden Richtungen angezeigt.
7. Akustische Anzeige: Weniger als 30 Ω .

Temperaturmessung (nur ACD 3300 IND) (siehe Abb. 6)

1. Sicherstellen, dass die zu prüfende Stelle nicht elektrisch aufgeladen ist.
2. Den Funktionsschalter auf °C und Bereich oder °F und Bereich einstellen.
3. Den Schiebeschalter auf die Position TEMP bewegen. Den Thermoelementstecker einführen, der für die Schlitzbreiten geeignet ist.
4. Die Thermoelementperle an dem Prüfpunkt anschließen.
5. Die Anzeige ablesen. Falls OL auf der Anzeige erscheint, ist die Temperatur zu hoch, um gemessen zu werden, oder das Thermoelement ist offen.

Hinweis: Die Messleitungen müssen entfernt werden, um die Schiebeplatte zu bewegen, sodass das Thermoelement eingeführt werden kann.

WARTUNG UND REPARATUR

Wenn ein Fehlverhalten während des Betriebs des Messgeräts vermutet wird, sollten die folgenden Schritte durchgeführt werden, um die Ursache des Problems genau zu bestimmen:

1. Die Batterien prüfen.
2. Die Bedienungsanleitungen studieren, um mögliche Fehler bei der Bedienung zu erkennen.
3. Die Prüfspitzen auf unterbrochene oder intermittierend aussetzende Verbindung untersuchen und testen.

Mit Ausnahme der Auswechslung der Batterie oder Messfühler sollten Reparaturen am Multimeter ausschließlich durch werkseitig autorisiertes Servicepersonal oder Fachpersonal durchgeführt werden. Die Vorderseite und das Gehäuse können mit einer milden Lösung von Reinigungsmittel und Wasser gereinigt werden. Die Lösung spärlich mit einem weichen Tuch anwenden und das Gerät vor Gebrauch vollständig trocknen lassen. Keine aromatischen Kohlenwasserstoffe oder Chlorlösungsmittel zur Reinigung verwenden.

Auswechseln der Batterie (siehe Abb. 7)

Warnung

Zur Vermeidung von Stromschlag bzw. Messgerätbeschädigung die Messleitungen des Messgeräts von allen Stromkreisen und dem Messgerät trennen und dann vor Abnehmen der Batteriefachabdeckung das Messgerät ausschalten. Das Ersetzen von Batterien muss in einer sauberen Umgebung und mit angemessenen Vorkehrungen zur Vermeidung von Verunreinigung der inneren Komponenten des Messgeräts erfolgen.

1. Die Schrauben entfernen und die Batteriefachabdeckung abheben.
2. Die Batterie durch eine Batterie des gleichen Typs ersetzen (9-Volt-Batterie). Die Polarität der Batterie beachten.
3. Die Gehäuserückseite und die Schrauben wieder anbringen.

SPEZIFIKATIONEN


Allgemein

Anzeige: 3½-Stellen-LCD (Flüssigkristallanzeige) (Zählwert 6600) mit einem 66 Segmente umfassenden analogen Balkendiagramm

Polarität: Automatisch, positiv impliziert, negative Polaritätsanzeige

Überlast: (OL) oder (-OL) wird angezeigt

Null: Automatisch

Anzeige für schwache Batterie:  wird angezeigt, wenn die Batteriespannung unter den Betriebswert abfällt

Automatische Ausschaltung: Ca. 30 Minuten

Hintergrundbeleuchtung: Automatische Abschaltung der Hintergrundbeleuchtung nach ca. 60 Sek

Messintervall: 2,8 mal pro Sekunde, Nennwert

Analoges Balkendiagramm: 28 mal pro Sekunde

Betriebsumgebung: 0 °C bis 50 °C bei < 70 % relativer Luftfeuchtigkeit

Lagertemperatur: -20 °C bis 60 °C bei 80 % relativer Luftfeuchtigkeit, Batterie aus dem Gerät entfernt

Temperaturkoeffizient: 0,1 X (spezifizierte Genauigkeit) / °C (0 °C bis 18 °C, 28 °C bis 50 °C)

Umgebung: 2000 m ü. M., Verwendung in Gebäuden

Backenöffnungskapazität: 57-mm-Leiter

Speisung: Eine Standard-9-V-Batterie, NEDA 1604, JIS 006P, IEC 6F22

Batterielebensdauer: typisch 75 Stunden mit Kohlezink-Batterie; 150 Stunden mit Alkalibatterie

Abmessungen:

ACDC-3400 IND: 281 x 108 x 53 mm

ACD-3300 IND: 279 x 103 x 53 mm

Gewicht:

ACDC-3400 IND: 559 g

ACD-3300 IND: 500 g

Sicherheit: LVD erfüllt EN61010-1:2001 und EN61010-2-032:2002, CAT III 1000 V, CAT IV 600 V, Klasse II und Verschmutzungsgrad 2

CE EMV: EN 61326-1:2006 Dieses Produkt erfüllt die Anforderungen der folgenden EU-Richtlinien: 2004/108/EC (Elektromagnetische Verträglichkeit) und 2006/95/EC (Niederspannung) mit dem Zusatz 93/68/EEC (CE-Kennzeichnung). Doch elektrisches Rauschen oder intensive elektromagnetische Felder in der Nähe des Gerätes können den Messschaltkreis stören. Messinstrumente reagieren auch auf unerwünschte Impulse/Signale, die unter Umständen im Messschaltkreis vorkommen. Die Benutzer müssen die nötige Sorgfalt walten lassen und geeignete Vorkehrungen treffen, um irreführende Ergebnisse bei Messungen bei Vorhandensein elektrischer Störeinflüsse zu vermeiden.

Elektrik

Genauigkeit: Nenngenauigkeit bei 23 °C ± 5 °C, < 75 % relative Luftfeuchtigkeit

VOLT GLEICHSPANNUNG

Bereiche	Genauigkeit
660,0 mV, 6,600 V, 66,00 V, 660,0 V, 1000 V	± (0,5 % Anzeige + 2 Stellen)

Eingangsimpedanz: 660 mV: > 100 MΩ; 6,6 V: 10 MΩ; 66 V bis 1000 V: 9,1 MΩ

Überlastschutz: 1000 VDC oder 750 VAC eff.

VOLT WECHSELSPANNUNG ECHEFFEKTIVWERT

Bereiche:	Frequenz	Genauigkeit
660,0 mV	50 bis 100 Hz	± (1,5 % Anzeige + 8 Stellen)
6,600 V, 66,00 V	50 bis 500 Hz	± (1,5 % Anzeige + 8 Stellen)
660,0 V, 750 V	50 bis 500 Hz	± (1,5 % Anzeige + 8 Stellen)
Frequenz**	50 bis 1 kHz	± (0,1 % Anzeige + 5 Stellen)

Peak Hold:

Bereiche:	Frequenz	Genauigkeit
66,00 V, 660,0 V, 750 V	50 bis 500 Hz	± (3,0 % Anzeige + 200 Stellen)

** Frequenz: 10 % bis 100 % von Spannungsbereich

TRMS wechselstromgekoppelt: 5 % bis 100 % von Bereich

Spitzenfaktor: ≤ 3

Eingangsimpedanz: 660 mV: > 100 MΩ; 6,6 V: 10 MΩ; 66 V bis 750 V: 9,1 MΩ

Überlastschutz: 1000 VDC oder 750 VAC eff.

STROMSTÄRKE WECHSELSTROM ECHEFFEKTIVWERT

Bereiche:	Frequenz	Genauigkeit
66,00 A*	50 bis 60 Hz	± (2,0 % Anzeige + 10 Stellen)
66,00 A*	61 bis 400 Hz	± (3,0 % Anzeige + 10 Stellen)
660,0 A	50 bis 60 Hz	± (2,0 % Anzeige + 10 Stellen)
660,0 A	61 bis 400 Hz	± (3,0 % Anzeige + 10 Stellen)
1000 A	50 bis 60 Hz	± (2,5 % Anzeige + 10 Stellen)
1000 A	61 bis 400 Hz	± (3,5 % Anzeige + 10 Stellen)
Frequenz**	50 bis 1 kHz	± (0,1 % Anzeige + 5 Stellen)

Peak Hold:

Bereiche:	Frequenz	Genauigkeit
66,00 A*, 660,0 A, 1000 A	50 bis 400 Hz	± (3,0 % Anzeige + 200 Stellen)

* Nur ACD-3300 IND

** Frequenz: 10 % bis 100 % von Strombereich

TRMS wechselstromgekoppelt: 5 % bis 100 % von Bereich

Spitzenfaktor: ≤ 3

Überlastschutz: 1000 A Wechselstrom

STROMSTÄRKE GLEICHSTROM (nur ACDC-3400 IND)

Bereich	Genauigkeit
660,0 A	± (2,0 % Anzeige + 5 Stellen)
1000 A	± (3,0 % Anzeige + 5 Stellen)

Überlastschutz: 1000 A Gleichstrom

WIDERSTAND

Bereich	Genauigkeit
660,0 Ω, 6,600 kΩ	± (0,1 % Anzeige + 5 Stellen)
66,00 kΩ, 660,0 kΩ	
6,600 MΩ:	± (2,0 % Anzeige + 5 Stellen)
66,00 MΩ:	± (3,5 % Anzeige + 5 Stellen)

Spannung in unterbrochenen Schaltkreisen: -1,2 VDC typisch, (-3,5 VDC auf 660 Ω Bereich)

Überlastschutz: 1000 VDC oder 750 VAC eff.

KONDENSATORKAPAZITÄT

Bereich	Genauigkeit
6,600 nF, 660 nF	± (3,0 % Anzeige + 20 Stellen)
66 nF, 6,600 μF, 66,00 μF, 660,0 μF	± (3,0 % Anzeige + 10 Stellen)
6,6 mF	± (5,0 % Anzeige + 10 Stellen)

Überlastschutz: 1000 VDC oder 750 VAC eff.

TEMPERATUR (nur ACD-3300 IND)

Bereich	Genauigkeit
0,0 °C bis 400,0 °C	± (1,0 % + 1 °C)
-35,0 °C bis 0,0 °C, 400 °C bis 1000 °C	± (2,0 % + 3 °C)
32,0 °F bis 750,0 °F	± (1,0 % + 2 °F)
-30,0 °F bis 32,0 °F, 750 °F bis 1832 °F	± (2,0 % + 6 °F)

Sensortyp: Thermoelement K-Typ

Überlastschutz: 30 V max.

DIODENPRÜFUNG

Prüfstrom: 0,8 mA (ca.)

Genauigkeit: \pm (1,5 % Anzeige + 5 Stellen)

Spannung in unterbrochenen Schaltkreisen: 3,2 VDC typisch

Akustische Anzeige: < 0,03 V

Überlastschutz: 1000 VDC oder 750 VAC eff.

KONTINUITÄT

Bereiche: 660,0 Ω

Akustische Anzeige: < 30 Ω

Ansprechzeit: 500 ms

Überlastschutz: 1000 VDC oder 750 VAC eff.

FREQUENZ (automatische Bereichswahl)

Bereich	Genauigkeit
66,00 Hz, 660,0 Hz, 6,600 kHz, 66,00 kHz, 660,0 kHz, 1,000 MHz	\pm (0,1 % Anzeige + 5 Stellen)

Frequenzempfindlichkeit: 10 Hz bis 1 MHz: > 3,5 V eff.

Mindest-Impulsbreite: > 1 μ s

Tastgradgrenzen: >30% und <70%

% TASTGRAD

Bereich: 5,0 % bis 95,0 %

Auflösung: 0,1 %

Mindest-Impulsbreite: > 10 μ s

Frequenzbereich: 40 Hz bis 20 kHz

Genauigkeit (5-V-Logik): \pm (2 % Anzeige + 10 Stellen)

Überlastschutz: 1000 VDC oder 750 VAC eff.

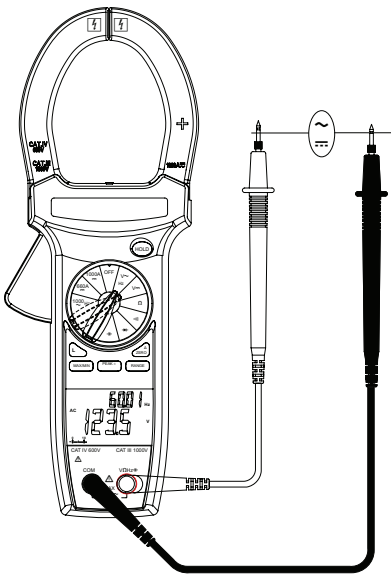


Abb. 2. Spannung \ Frequenz \ Tastgrad

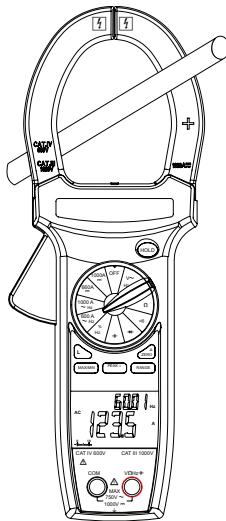


Abb. 3. Stromstärke

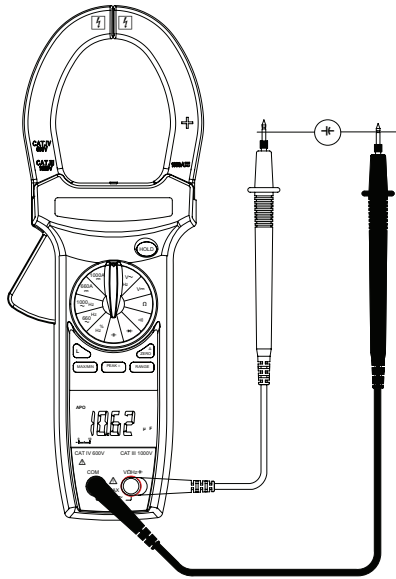


Abb. 4. Kapazität

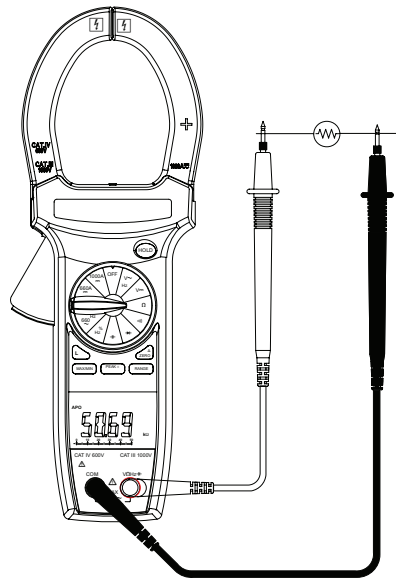


Abb. 5. Widerstand \ Kontinuität \ Diode

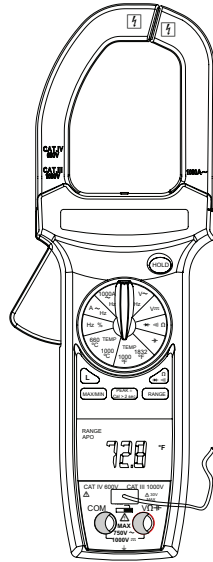


Abb. 6. Temperatur (nur ACD-3300 IND)

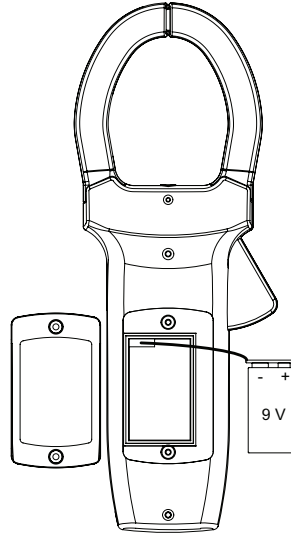


Abb. 7. Auswechseln der Batterie



**ACD-3300 IND
ACDC-3400 IND**

Pinze amperometriche
industriali a vero valore
efficace CAT IV

Manuale d'uso

Italiano

ACD3300ACDC3400_Rev001
© 2009 Amprobe Test Tools.
Tutti i diritti riservati.

Garanzia limitata e limitazione di responsabilità

Questo prodotto Amprobe sarà esente da difetti di materiale e fabbricazione per un anno a decorrere dalla data di acquisto. Sono esclusi da questa garanzia i fusibili, le pile monouso e i danni causati da incidenti, negligenza, uso improprio, alterazione, contaminazione o condizioni anomale di funzionamento o maneggiamento. L'obbligo di garanzia è limitato, a scelta della Amprobe, al rimborso del prezzo d'acquisto, alla riparazione gratuita o alla sostituzione di un prodotto difettoso. I rivenditori non sono autorizzati a offrire nessun'altra garanzia a nome della Amprobe. PER RICHIEDERE UN INTERVENTO DURANTE IL PERIODO DI GARANZIA RESTITUIRE IL PRODOTTO, ALLEGANDO LA RICEVUTA DI ACQUISTO, A UN CENTRO DI ASSISTENZA AUTORIZZATO AMPROBE TEST TOOLS OPPURE A UN RIVENDITORE O DISTRIBUTORE AMPROBE LOCALE. PER ULTERIORI INFORMAZIONI VEDERE LA SEZIONE RIPARAZIONI. QUESTA GARANZIA È IL SOLO RICORSO A DISPOSIZIONE DELL'ACQUIRENTE E SOSTITUISCE QUALSIASI ALTRA GARANZIA, ESPRESSA, IMPLICITA O PREVISTA DALLA LEGGE, COMPRESA QUALSIASI GARANZIA IMPLICITA DI COMMERCIALITÀ O DI IDONEITÀ PER SCOPI PARTICOLARI. NÉ LA AMPROBE NÉ LA SUA SOCIETÀ MADRE O SUE AFFILIATE SARANNO RESPONSABILI DI DANNI O PERDITE SPECIALI, INDIRETTI O ACCIDENTALI, DERIVANTI DA QUALSIASI CAUSA O TEORIA. Poiché alcuni stati o Paesi non permettono l'esclusione o la limitazione di una garanzia implicita o di danni accidentali o indiretti, questa limitazione di responsabilità potrebbe non riguardare l'acquirente.

Riparazioni

A tutti gli strumenti di misura restituiti per interventi in garanzia o non coperti dalla garanzia, oppure per la taratura, devono essere allegate le seguenti informazioni: il proprio nome e quello dell'azienda, indirizzo, numero telefonico e ricevuta di acquisto. Allegare anche una breve descrizione del problema o dell'intervento richiesto e i cavi di misura. Gli importi dovuti per sostituzioni o riparazioni non coperte dalla garanzia vanno versati tramite assegno, vaglia bancario, carta di credito con data di scadenza, oppure ordine di acquisto all'ordine di Amprobe® Test Tools.

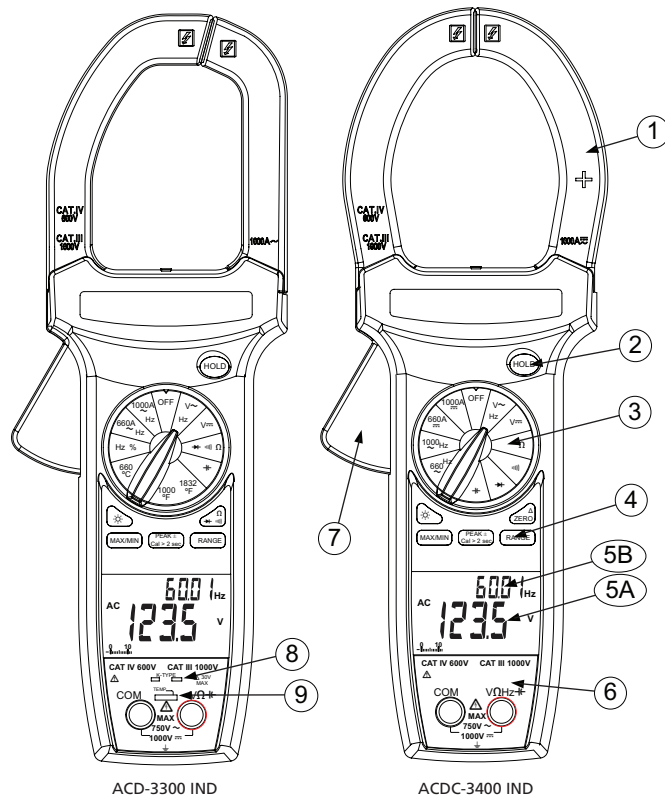
Sostituzioni e riparazioni in garanzia – Tutti i Paesi

Si prega di leggere la garanzia e di controllare le pile prima di richiedere una riparazione. Durante il periodo di garanzia, si può restituire uno strumento difettoso al rivenditore Amprobe® Test Tools per ricevere un prodotto identico o analogo.

distributori più vicini. Negli Stati Uniti e nel Canada gli strumenti da sostituire o riparare in garanzia possono essere inviati anche a un centro di assistenza Amprobe® Test Tools (gli indirizzi sono alla pagina successiva).

Sostituzioni e riparazioni non coperte dalla garanzia – U.S.A. e Canada

Per riparazioni non coperte dalla garanzia, negli Stati Uniti e nel Canada, lo strumento deve essere inviato a un centro di assistenza Amprobe® Test Tools. Rivolgersi alla Amprobe® Test Tools o al rivenditore per informazioni sui costi delle riparazioni e sostituzioni.



ACD-3300 IND








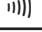





ACDC-3400 IND

- ❶ Ganasce per le misure di corrente
- ❷ Pulsante HOLD
- ❸ Selettore funzioni
- ❹ Pulsanti funzioni ausiliarie
- ❺A Visualizzatore principale display a cristalli liquidi
- ❺B Visualizzatore secondario display a cristalli liquidi
- ❻ Terminali d'ingresso per funzioni diverse dalle misure di corrente
- ❼ Pulsante di apertura delle ganasce
- ❽ Terminali d'ingresso per misure di temperatura
- ❾ Comando a cursore per misure di temperatura

**ACD-3300 IND / ACDC-3400 IND Pinze amperometriche
industriali a vero valore efficace CAT IV**

Simboli	53
Informazioni sulla sicurezza	53
⚠ Avvertenze e precauzioni	53
Disimballaggio e contenuto	54
Introduzione.....	54
Funzioni Ausiliarie.....	54
Pulsante PEAK+/-	54
Pulsante MAX/MIN.....	54
⚠ Misure (relative) con AZZERAMENTO (solo per il modello ACDC-3400 IND)	55
Pulsante HOLD	55
Pulsante RANGE.....	55
☼ Pulsante di retroilluminazione.....	55
Funzione di spegnimento automatico (APO).....	55
Funzionamento	55
Misure di tensione corrente continua (c.c.) (vedi Fig. 2)	55
Misure di tensione corrente alternata (c.a.) (vedi Fig. 2)	55
Misure di corrente alternata (vedi Fig. 3).....	55
Misure di corrente continua (solo per il modello ACDC-3400 IND) (vedi Fig. 3).....	56
Misure di frequenza / duty cycle % (vedi Fig. 2)	56
Misure di capacità (vedi Fig. 4)	56
Misure di resistenza (vedi Fig. 5).....	56
Prove di continuità (vedi Fig. 5).....	56
Prove di diodi (vedi Fig. 5).....	57
Misure di temperatura (solo per il modello ACD 3300 IND) (vedi Fig. 6)	57
Manutenzione e riparazioni	57
Sostituzione della pila (vedi Fig. 7)	57
Dati tecnici.....	58
Generali.....	58
Elettrici	58

SIMBOLI

	Batteria		Consultare il manuale
	Isolamento doppio		Alta tensione
	Corrente continua		Massa di terra
	Corrente alternata		Segnalazione acustica
	Conforme alle norme australiane di pertinenza		Conforme alle direttive UE
	Non smaltire questo prodotto assieme ad altri rifiuti solidi non differenziati.		Certificazione Underwriters Laboratories [Nota: per il Canada e gli Stati Uniti]
	È permessa l'applicazione su conduttori sotto tensione pericolosi e la rimozione dagli stessi		

INFORMAZIONI SULLA SICUREZZA

- Le pinze amperometriche digitali ACD-3300 IND e ACDC-3400 IND sono a norma EN61010-1:2001; EN61010-2-032:2002; CAT IV 600 V, CAT III 1000 V, classe II e livello di inquinamento 2. EMC: conforms to EN61326-1.
- Ogni modello ha conseguito la certificazione EN61010-1 relativamente agli impianti di Categoria IV (600 V). Si suggerisce di adoperarlo su linee di alimentazione principale, linee aeree o sistemi di cavi e in impianti fissi e di distribuzione dell'energia elettrica, nonché su impianti meno complessi.
- Non superare né i limiti di sovraccarico massimo per ciascuna funzione (vedi sezione Dati tecnici) né i limiti indicati sullo strumento. Mai applicare più di 1000 V c.c. o 750 V c.a. (valore efficace) fra il cavo di misura e la massa di terra.

⚠ Avvertenze e precauzioni

- Prima e dopo misure di alte tensioni, provare la funzione misure di tensione su una sorgente nota, come una tensione di linea, per accertarsi che lo strumento funzioni correttamente.
- Scollegare i cavi di misura dai punti di misura prima di cambiare funzione sullo strumento.
- Scollegare dallo strumento i cavi di misura prima di eseguire una misura di corrente.
- Prima di ogni uso ispezionare lo strumento, i cavi di misura e gli accessori. Non usare alcun componente danneggiato.
- Non collegarsi mai al potenziale di terra quando si eseguono misure. Non toccare gli elementi di un circuito esposti o i puntali delle sonde.
- Non usare lo strumento in un'atmosfera esplosiva.
- Per ridurre il rischio di incendio o scosse elettriche, non esporre lo strumento alla pioggia o all'umidità.
- Lo strumento va adoperato solo in locali chiusi. Per prevenire scosse elettriche, osservare le precauzioni appropriate quando si lavora con tensioni maggiori di 60 V a corrente continua, 42,4 V di picco o 30 V (valore efficace) a corrente alternata. Questi livelli di tensione sono pericolosi.
- Prima e dopo misure di alte tensioni, provare la funzione misure di tensioni su una sorgente nota, come una tensione di linea, per accertarsi che lo strumento funzioni correttamente.
- Durante le misure tenere le mani o le dita dietro le apposite nervature, che indicano il limite di accesso in sicurezza allo strumento e ai cavi di misura.
- Prima di usare lo strumento ispezionare i cavi di misura, i connettori e le sonde per rilevare eventuali danni all'isolamento o metallo esposto. Se si riscontrano difetti, rimediare immediatamente.
- Questa pinza amperometrica è concepita per l'uso su conduttori sotto tensione non isolati. È necessario usare un equipaggiamento di protezione individuale se potrebbero essere accessibili componenti sotto tensione pericolosi.

- Procedere con estrema cautela quando si eseguono misure di tensioni > 20 V o di correnti > 10 mA, su linee di alimentazione in corrente alternata con carichi induttivi o durante temporali, misure di corrente, se il fusibile è intervenuto in un circuito con tensione a circuito aperto > 1000 V, e durante la manutenzione di apparecchi con tubi a raggi catodici (CRT).
- Prima di aprire l'involucro per sostituire la pila, scollegare i cavi di misura.
- Prima di eseguire misure di resistenza o di capacità oppure prove di continuità o di diodi, scollegare l'alimentazione dal circuito e scaricare tutti i condensatori ad alta tensione.
- Per evitare errori di lettura, che potrebbero comportare il rischio di folgorazione e altri infortuni, sostituire le pile non appena si visualizza l'indicatore di basso livello di carica (🔋).
- Per evitare il pericolo di scosse elettriche, non usare la modalità HOLD [H] per determinare se un circuito è sotto tensione. Eventuali valori non stabili non vengono acquisiti né visualizzati.

⚠ ATTENZIONE

- Per eseguire misure non invasive di correnti alternate, chiudere la pinza intorno a un solo conduttore del circuito; se si racchiude più di un conduttore si ottiene una lettura sbagliata.

DISIMBALLAGGIO E CONTENUTO

La confezione deve contenere:

- 1 ACD-3300 IND o ACDC-3400 IND
- 1 set di cavi di misura
- 1 pila da 9 V (già installata)
- 1 copia del manuale d'uso
- 1 custodia da trasporto
- 1 termocoppia di tipo K (solo per il modello ACD-3300 IND)

Se un componente è danneggiato o mancante, restituire immediatamente l'intera confezione al rivenditore per ottenerne una di ricambio.

INTRODUZIONE

Le pinze amperometriche a vero valore efficace ACD-3300 IND e ACDC-3400 IND sono strumenti a selezione automatica della portata sino a 1000 A c.a. e 750 V c.a. / 1000 V c.c. Offrono le seguenti funzioni: misure di tensione a corrente alternata / continua, misure di corrente alternata / continua (ACDC-3400 IND), misure di frequenza, resistenza, capacità, prove di diodi e prove di continuità nonché misure relative (ACDC-3400 IND). Il modello ACD-3300 IND esegue anche misure di temperatura sino a 1000 °C.

FUNZIONI AUSILIARIE

Pulsante PEAK+/-

Serve a registrare i valori di picco + e - durante misure di corrente alternata e di tensione c.a.

Eeguire la normale misura in corrente alternata e premere il pulsante PEAK. Il valore di picco compare sul visualizzatore secondario, mentre il valore effettivo compare sul visualizzatore principale. La portata di questa funzione corrisponde alla normale portata in uso e può visualizzarsi OL se l'ingresso supera la portata.

Nota: se si tiene premuto il pulsante PEAK ± per oltre 2 secondi, la funzione PEAK passa alla modalità di taratura, il display visualizza "CAL" e nel buffer interno viene memorizzata la tensione di offset interna da utilizzare quando si ritorna alla modalità di misura. Per uscire dalla modalità 'CAL', spegnere la pinza.

Pulsante MAX/MIN

Quando compare "MAX" è visualizzato il valore massimo di una serie di misure. Quando compare "MIN" è visualizzato il valore minimo di una serie di misure. L'indicazione "MAX/MIN" lampeggia sul display per indicare il valore che viene misurato. Per uscire da

questa modalità tenere premuto il pulsante MAX/MIN per almeno 2 secondi.

Δ Misure (relative) con AZZERAMENTO (solo per il modello ACDC-3400 IND)

La modalità di misura relativa visualizza la differenza tra la lettura attuale e un valore di riferimento, ed è utilizzabile con qualsiasi funzione o portata. Per eseguire una misura relativa, stabilire anzitutto un valore di riferimento eseguendo una misura e poi premendo il pulsante **Δ** non appena la lettura si stabilizza. La misura viene memorizzata e il display si azzerava. Lo strumento sottrae il valore di riferimento dalle misure successive e visualizza la differenza; le misure vengono visualizzate come letture positive o negative secondo che siano maggiori o minori del valore di riferimento. Per uscire dalla modalità di misure relative, premere il pulsante **Δ** e tenerlo premuto per 2 secondi.

Adoperare questa funzione per azzerare lo strumento prima di eseguire misure di corrente continua.

Pulsante HOLD

Ferma la lettura presente sul display quando si preme il pulsante. Per usare questa funzione, selezionare prima il tipo di misura e la portata desiderati. Collegare i cavi di misura al circuito o al componente oggetto della misura, quindi premere il pulsante HOLD. La lettura non varia più e sul display compare HOLD. A questo punto si possono rimuovere i cavi di misura; la lettura rimane ferma finché non si preme di nuovo HOLD.

Pulsante RANGE

Permette di selezionare la portata di una funzione per la quale sul display non compare RANGE.

☼ Pulsante di retroilluminazione

Serve ad attivare o disattivare la retroilluminazione.

Funzione di spegnimento automatico (APO)

La pinza si spegne automaticamente dopo 30 minuti. Per disattivare la funzione APO, portare il selettore funzioni nella posizione OFF, quindi premere e tenere premuto il pulsante RANGE o MAX/MIN mentre si gira il selettore nella posizione corrispondente alla portata desiderata. Rilasciare il pulsante quando il display ritorna normale. Nota: la dicitura "APO" non è più visualizzata.

FUNZIONAMENTO

Misure di tensione corrente continua (c.c.) (vedi Fig. 2)

1. Portare il selettore funzioni nella posizione **V_{DC}**.
2. Collegare i cavi di misura: quello rosso al terminale **+**, quello nero al terminale **COM**.
3. Collegare i puntali ai punti di misura del circuito.
4. La misura compare sul display; se necessario correggere l'eventuale condizione di sovraccarico (**OL**).

Misure di tensione corrente alternata (c.a.) (vedi Fig. 2)

Attenzione: per tensioni minori di 0,2 V, la lettura di frequenza può essere instabile.

1. Portare il selettore funzioni nella posizione **V_{AC}**.
2. Collegare i cavi di misura: quello rosso al terminale **+**, quello nero al terminale **COM**.
3. Collegare i puntali ai punti di misura del circuito.
4. La lettura di tensione e quella di frequenza compaiono, rispettivamente, sul visualizzatore principale e su quello secondario; se necessario correggere l'eventuale condizione di sovraccarico (**OL**).

Misure di corrente alternata (vedi Fig. 3)

Attenzione: per correnti minori di 10 A, la lettura di frequenza può essere instabile.

1. Portare il selettore funzioni nella posizione **A_{AC}**.
2. Aprire le ganasce premendo l'apposito pulsante.
3. Posizionare le ganasce intorno al cavo o al conduttore di cui si vuole misurare la corrente e rilasciare il pulsante per chiuderle. Il cavo deve essere centrato tra le ganasce.

4. La lettura di corrente e quella di frequenza compaiono, rispettivamente, sul visualizzatore principale e su quello secondario; se necessario correggere l'eventuale condizione di sovraccarico (OL).

Misure di corrente continua (solo per il modello ACDC-3400 IND) (vedi Fig. 3)

1. Portare il selettore funzioni nella posizione A⁻⁻⁻.
2. Premere il pulsante Δ per azzerare l'offset della corrente continua.
3. Aprire le ganasce premendo l'apposito pulsante.
4. Posizionare le ganasce intorno al cavo o al conduttore di cui si vuole misurare la corrente e rilasciare il pulsante per chiuderle. Il cavo deve essere centrato tra le ganasce.
5. La misura compare sul display.

Misure di frequenza / duty cycle % (vedi Fig. 2)

1. Selezionare la posizione "Hz".
2. Collegare i cavi di misura: quello rosso al terminale +, quello nero al terminale COM.
3. Collegare i puntali ai punti di misura del circuito.
4. La lettura di frequenza e quella del duty cycle compaiono, rispettivamente, sul visualizzatore principale e su quello secondario; se necessario correggere l'eventuale condizione di sovraccarico (OL).

Misure di capacità (vedi Fig. 4)

Nota: se il condensatore oggetto della misura è collegato e il display visualizza "di .c.", significa che c'è tensione sul condensatore e occorre scaricarlo prima di procedere alla misura.

1. Selezionare la posizione "C".
2. Collegare i cavi di misura: quello rosso al terminale +, quello nero al terminale COM.
3. Collegare i puntali ai punti di misura del circuito.
4. La misura compare sul display; se necessario correggere l'eventuale condizione di sovraccarico (OL).

Δ ATTENZIONE

Se si utilizza la funzione misure di resistenza o prove di continuità in un circuito sotto tensione si ottengono risultati sbagliati e si può danneggiare lo strumento. In molti casi il componente oggetto della misura deve essere scollegato dal circuito perché si possa eseguire una misura precisa.

Misure di resistenza (vedi Fig. 5)

1. Portare il selettore funzioni nella posizione Ω . Usare il pulsante ' $\Omega \rightarrow \text{||||}$ ' per selezionare la funzione misure di resistenza (solo per il modello ACD-3300 IND).
2. Collegare i cavi di misura: quello rosso al terminale +, quello nero al terminale COM.
3. Scollegare l'alimentazione dal circuito su cui si eseguirà la misura. Non misurare mai una resistenza ai capi di un generatore di tensione o su un circuito alimentato.
4. Scaricare tutti i condensatori che possano influire sulla lettura.
5. Collegare i puntali ai capi della resistenza.
6. La misura compare sul display. Se compare OL alla portata più alta, significa che la resistenza non è misurabile perché è troppo grande oppure che il circuito è aperto.

Prove di continuità (vedi Fig. 5)

1. Portare il selettore funzioni nella posizione |||| . Usare il pulsante ' $\Omega \rightarrow \text{||||}$ ' per selezionare la funzione prove di continuità |||| (solo per il modello ACD-3300 IND).
2. Collegare i cavi di misura: quello rosso al terminale +, quello nero al terminale COM.
3. Scollegare l'alimentazione dal circuito su cui si eseguirà la misura.
4. Scaricare tutti i condensatori che possano influire sulla lettura.
5. Collegare i puntali ai capi della resistenza o ai due punti di misura.
6. Se esiste continuità (< 30 Ω), viene emessa una segnalazione acustica.

Prove di diodi (vedi Fig. 5)

1. Portare il selettore funzioni nella posizione " \rightarrow ". Usare il pulsante ' $\Omega \rightarrow$ ' per selezionare la funzione prove di diodi (solo per il modello ACD-3300 IND).
2. Collegare il cavo di misura rosso al terminale "V Ω " e quello nero al terminale "COM".
3. Scollegare l'alimentazione del circuito in prova. La presenza di tensioni esterne ai componenti può portare a valori non validi.
4. Mettere i puntali a contatto con il diodo. La caduta di tensione diretta di un diodo al silicio è pari a circa 0,6 V.
5. Scambiare i puntali. Se il diodo è funzionante, il display visualizza "OL". Se il diodo è in cortocircuito, si visualizza "0.00" o un altro numero.
6. Se il diodo è aperto, il display indica "OL" in entrambe le direzioni.
7. Segnalazione acustica: resistenza minore di 30 Ω .

Misure di temperatura (solo per il modello ACD 3300 IND) (vedi Fig. 6)

1. Verificare che il punto in cui si vuole eseguire la misura non sia sotto tensione.
2. Portare il selettore funzioni nella posizione °C e portata desiderata o °F e portata desiderata.
3. Portare il comando a cursore nella posizione TEMP. Inserire il connettore della termocoppia negli appositi terminali.
4. Collegare la sonda della termocoppia al punto di misura.
5. La misura compare sul display. Se sul display compare OL, significa che la temperatura è troppo elevata per essere misurata o che il circuito della termocoppia è aperto.

Nota: è necessario togliere i cavi di misura per spostare la piastrina scorrevole in modo da collegare la termocoppia.

MANUTENZIONE E RIPARAZIONI

Se sembra che lo strumento non funzioni bene, procedere come segue per individuare la causa del problema:

1. Controllare la pila.
2. Rileggere le istruzioni per l'uso, per accertarsi di non avere compiuto operazioni sbagliate.
3. Ispezionare e verificare i cavi di misura per rilevare eventuali connessioni interrotte o intermittenti.

Fatta eccezione per la sostituzione della pila o delle sonde, qualsiasi intervento di manutenzione o riparazione dello strumento deve essere eseguito esclusivamente presso un centro di assistenza autorizzato dalla fabbrica o da altro personale di manutenzione qualificato. Il pannello anteriore e l'involucro possono essere puliti con una soluzione di acqua e detergente neutro. Applicare la soluzione in quantità moderata con un panno morbido e lasciare asciugare completamente lo strumento prima di usarlo. Non utilizzare idrocarburi aromatici né solventi clorurati per la pulizia.

Sostituzione della pila (vedi Fig. 7)

⚠ Attenzione

Per prevenire scosse elettriche o danni allo strumento, prima di togliere il coperchio dello scomparto della pila scollegare i cavi di misura da qualsiasi circuito e dallo strumento, poi spegnere quest'ultimo. La sostituzione della pila deve essere eseguita in un ambiente pulito e con la cura appropriata per evitare di contaminare i componenti interni dello strumento.

1. Togliere le viti e sollevare il coperchio dello scomparto della pila.
2. Sostituire la pila con una da 9 volt dello stesso tipo.
Osservare la polarità della pila.
3. Riposizionare il coperchio e le viti.

DATI TECNICI

Generali

Display: a cristalli liquidi a 3¼ cifre (6600 conteggi) con diagramma a barre analogico a 66 segmenti

Polarità: automatica, positiva implicitamente, indicazione di polarità negativa

Sovraccarico: si visualizza l'indicazione (OL) o (-OL)

Azzeramento: automatico

Indicazione di pila scarica: quando la carica della pila scende sotto il livello di funzionamento, si visualizza il simbolo "🔋"

Spegnimento automatico: dopo circa 30 minuti

Retroilluminazione: si disattiva automaticamente dopo circa 60 secondi di inattività

Velocità di misura: 2,8 volte al secondo, nominale

Diagramma a barre analogico: 28 volte al secondo

Ambiente di funzionamento: da 0 °C a 50 °C a < 70% di umidità relativa

Temperatura (non in funzione): da -20 °C a 60 °C a < 80% di umidità relativa con la pila tolta dallo strumento

Coefficiente di temperatura: 0,1 × (precisione specificata) per °C (da 0 °C a 18 °C, da 28 °C a 50 °C)

Condizioni ambientali: sino a 2000 m, uso al coperto

Apertura max delle ganasce: conduttore di 57 mm

Alimentazione: una pila standard da 9 V, NEDA 1604, JIS 006P, IEC 6F22

Autonomia: tipicamente 75 ore con pila al carbonio-zinco; 150 ore con pila alcalina

Dimensioni

ACDC-3400 IND: 281 x 108 x 53 mm

ACD-3300 IND: 279 x 103 x 53 mm

Peso:

ACDC-3400 IND: 559 g

ACD-3300 IND: 500 g

Sicurezza: direttiva sulle basse tensioni; a norma EN61010-1:2001 e EN61010-2-032:2002, CAT III 1000 V, CAT IV 600 V, classe II e livello di inquinamento 2

CE Compatibilità elettromagnetica: EN 61326-1:2006. Questo prodotto risponde ai requisiti delle seguenti direttive della Comunità Europea: 2004/108/CE (compatibilità elettromagnetica) e 2006/95/CE (basse tensioni) modificate dalla direttiva 93/68/CEE (marchio CE). Tuttavia, rumore elettrico o campi elettromagnetici intensi vicino all'apparecchio possono disturbare il circuito di misura. Inoltre gli strumenti di misura risponderanno a segnali indesiderati che possono essere presenti nel circuito di misura. Gli utenti devono esercitare cautela e prendere le opportune precauzioni per evitare risultati falsi quando si eseguono misure in presenza di interferenze elettroniche.

Elettrici

Precisione: precisione indicata a 23 °C ± 5 °C con < 75% di umidità relativa

MISURE DI TENSIONE IN CORRENTE CONTINUA

Portate	Precisione
660,0 mV, 6,600 V, 66,00 V, 660,0 V, 1000 V	± (0,5% della lettura + 2 cifre)

Impedenza d'ingresso: 660 mV: > 100 MΩ; 6,6 V: 10 MΩ; da 66 V a 1000 V: 9,1 MΩ

Protezione dai sovraccarichi: 1000 V c.c. o 750 V c.a. rms

MISURE DI TENSIONE IN CORRENTE ALTERNATA A VERO VALORE EFFICACE

Portate	Frequenza	Precisione
660,0 mV	Da 50 a 100 Hz	± (1,5% della lettura + 8 cifre)
6,600 V, 66,00 V	Da 50 a 500 Hz	± (1,5% della lettura + 8 cifre)
660,0 V, 750 V	Da 50 a 500 Hz	± (1,5% della lettura + 8 cifre)
Frequenza **	Da 50 Hz a 1 kHz	± (0,1% della lettura + 5 cifre)

Tenuta del picco

Portate	Frequenza	Precisione
66,00 V, 660,0 V, 750 V	Da 50 a 500 Hz	± (3,0% della lettura + 200 cifre)

** Frequenza: dal 10% al 100% della portata di tensione

Vero valore efficace con accoppiamento c.a.: dal 5% al 100% della portata

Fattore di cresta: ≤ 3

Impedenza d'ingresso: 660 mV: > 100 MΩ; 6,6 V: 10 MΩ; da 66 V a 750 V: 9,1 MΩ

Protezione dai sovraccarichi: 1000 V c.c. o 750 V c.a. rms

MISURE DI CORRENTE ALTERNATA A VERO VALORE EFFICACE

Portate	Frequenza	Precisione
66,00 A*	Da 50 a 60 Hz	± (2,0% della lettura + 10 cifre)
66,00 A*	Da 61 a 400 Hz	± (3,0% della lettura + 10 cifre)
660,0 A	Da 50 a 60 Hz	± (2,0% della lettura + 10 cifre)
660,0 A	Da 61 a 400 Hz	± (3,0% della lettura + 10 cifre)
1000 A	Da 50 a 60 Hz	± (2,5% della lettura + 10 cifre)
1000 A	Da 61 a 400 Hz	± (3,5% della lettura + 10 cifre)
Frequenza**	Da 50 Hz a 1 kHz	± (0,1% della lettura + 5 cifre)

Tenuta del picco

Portate	Frequenza	Precisione
66,00 A*, 660,0 A, 1000 A	Da 50 a 400 Hz	± (3,0% della lettura + 200 cifre)

* Solo per il modello ACD-3300 IND

** Frequenza: dal 10% al 100% della portata di corrente

Vero valore efficace con accoppiamento c.a.: dal 5% al 100% della portata

Fattore di cresta: ≤ 3

Protezione dai sovraccarichi: 1000 A c.a.

MISURE DI CORRENTE CONTINUA (solo per il modello ACDC-3400 IND)

Portata	Precisione
660,0 A	± (2,0% della lettura + 5 cifre)
1000 A	± (3,0% della lettura + 5 cifre)

Protezione dai sovraccarichi: 1000 A c.c.

MISURE DI RESISTENZA

Portata	Precisione
660,0 Ω, 6,600 kΩ	± (1,0% della lettura + 5 cifre)
66,00 kΩ, 660,0 kΩ	
6,600 MΩ:	± (2,0% della lettura + 5 cifre)
66,00 MΩ:	± (3,5% della lettura + 5 cifre)

Tensione di circuito aperto: -1,2 V c.c. tipica, (-3,5 V c.c. alla portata di 660 Ω)

Protezione dai sovraccarichi: 1000 V c.c. o 750 V c.a. rms

MISURE DI CAPACITÀ

Portata	Precisione
6,600 nF, 660 nF	± (3,0% della lettura + 20 cifre)
66 nF, 6,600 μF, 66,00 μF, 660,0 μF	± (3,0% della lettura + 10 cifre)
6,6 mF	± (5,0% della lettura + 10 cifre)

Protezione dai sovraccarichi: 1000 V c.c. o 750 V c.a. rms

MISURE DI TEMPERATURA (solo per il modello ACD-3300 IND)

Portata	Precisione
Da 0,0 °C a 400,0 °C	± (1,0% + 1 °C)
Da -35,0 °C a 0,0 °C, da 400 °C a 1000 °C	± (2,0% + 3 °C)
Da 32,0 °F a 750,0 °F	± (1,0% + 2 °F)
Da -30,0 °F a 32,0 °F, da 750 °F a 1832 °F	± (2,0% + 6 °F)

Tipo di sensore: termocoppia di tipo K

Protezione dai sovraccarichi: 30 V max

PROVE DI DIODI

Corrente di prova: 0,8 mA (approssimata)
Precisione: \pm (1,5% della lettura + 5 cifre)
Tensione di circuito aperto: 3,2 V c.c. tipica
Segnalazione acustica: < 0,03 V
Protezione dai sovraccarichi: 1000 V c.c. o 750 V c.a. rms

PROVE DI CONTINUITÀ

Portate: 660,0 Ω
Segnalazione acustica: < 30 Ω
Tempo di risposta: 500 ms
Protezione dai sovraccarichi: 1000 V c.c. o 750 V c.a. rms

MISURE DI FREQUENZA (selezione automatica della portata)

Portata	Precisione
66,00 Hz, 660,0 Hz, 6,600 kHz, 66,00 kHz, 660,0 kHz, 1,000 MHz	\pm (0,1% della lettura + 5 cifre)

Sensibilità: da 10 Hz a 1 MHz: > 3,5 V rms
Durata minima dell'impulso: > 1 us
Del duty cycle: >30% e <70%
MISURE DI DUTY CYCLE %
Portata: dal 5,0% al 95,0%
Risoluzione: 0,1%
Durata minima dell'impulso: > 10 us
Portata di frequenza: da 40 Hz a 20 kHz
Precisione (logica a 5 V): \pm (2% della lettura + 10 cifre)
Protezione dai sovraccarichi: 1000 V c.c. o 750 V c.a. rms

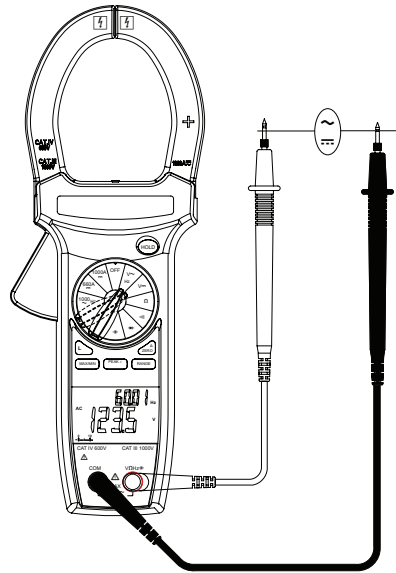


Fig 2. Misure di tensione \ frequenza \ duty cycle

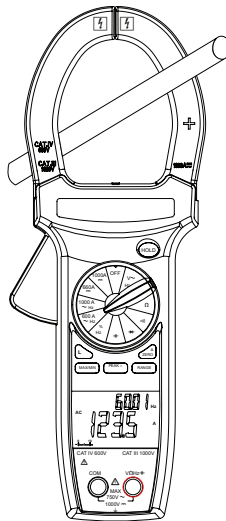


Fig 3. Misure di corrente

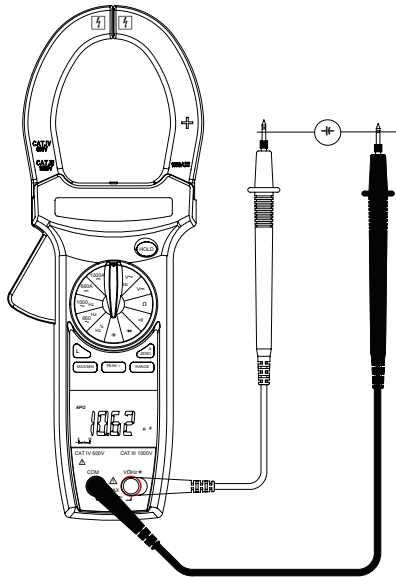


Fig 4. Misure di capacità

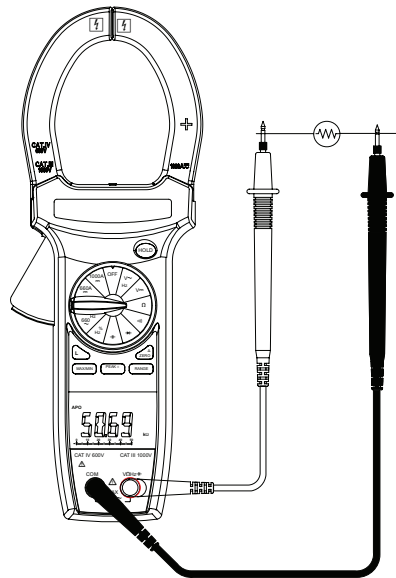


Fig 5. Misure di resistenza \ Prove di continuità \ diodi

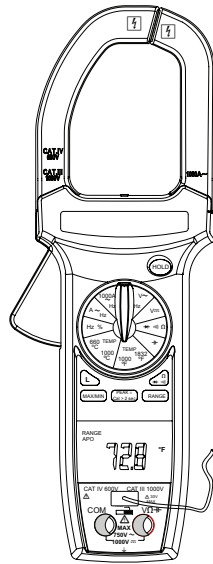


Fig 6. Misure di temperatura (solo per il modello ACD-3300 IND)

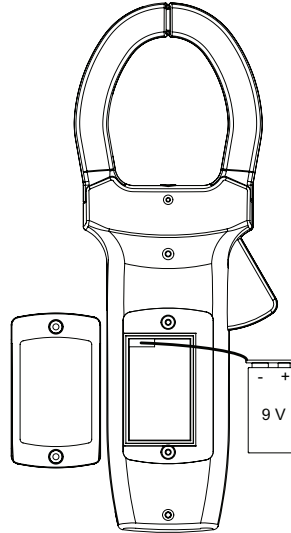


Fig 7. Sostituzione della pila



**ACD-3300 IND
ACDC-3400 IND**

Pinzas amperimétricas
industriales de verdadero
valor eficaz CAT IV

Manual de uso

Español

ACD3300ACDC3400_Rev001
© 2009 Amprobe Test Tools.
Reservados todos los derechos.

65

Garantía limitada y limitación de responsabilidad

Su producto Amprobe estará libre de defectos de material y mano de obra durante 1 año a partir de la fecha de adquisición. Esta garantía no cubre fusibles, baterías descartables o daños que sean consecuencia de accidentes, negligencia, uso indebido, alteración, contaminación o condiciones anormales de uso o manipulación. La obligación de garantía de Amprobe está limitada, a criterio de Amprobe, a la devolución del precio de la compra, la reparación sin gastos o la sustitución de un producto defectuoso. Los revendedores no están autorizados a extender ninguna otra garantía en nombre de Amprobe. Para obtener servicio durante el período de garantía, devuelva el producto con un comprobante de compra a un centro de servicio autorizado por Amprobe de equipos de comprobación o a un concesionario o distribuidor de Amprobe. Consulte la sección Reparación para obtener información más detallada. ESTA GARANTÍA CONSTITUYE SU ÚNICO RESARCIMIENTO. LAS DEMÁS GARANTÍAS, TANTO EXPRESAS O IMPLÍCITAS COMO ESTATUTARIAS, INCLUYENDO LAS GARANTÍAS IMPLÍCITAS DE ADECUACIÓN PARA UN PROPÓSITO DETERMINADO O COMERCIALIZACIÓN, QUEDAN POR LA PRESENTE EXCLUIDAS. NI AMPROBE, NI SU MATRIZ NI SUS AFILIADAS SERÁN RESPONSABLES DE NINGÚN DAÑO O PÉRDIDA, TANTO ESPECIAL COMO INDIRECTO, CONTINGENTE O RESULTANTE, QUE SURJA DE CUALQUIER CAUSA O TEORÍA. Debido a que ciertos estados o países no permiten la exclusión o limitación de una garantía implícita o de los daños contingentes o resultantes, esta limitación de responsabilidad puede no regir para usted.

Reparación

Todas las herramientas de prueba devueltas para calibración o reparación cubierta o no por la garantía deben ir acompañadas por: su nombre, el nombre de la compañía, la dirección, el número de teléfono y una prueba de compra. Además, incluya una breve descripción del problema o del servicio solicitado y los conductores de prueba del medidor. La reparación fuera de garantía o los cargos de reemplazo deben remitirse en la forma de un cheque, un giro postal, una tarjeta de crédito con fecha de vencimiento o una orden de compra pagadera a Amprobe® Test Tools.

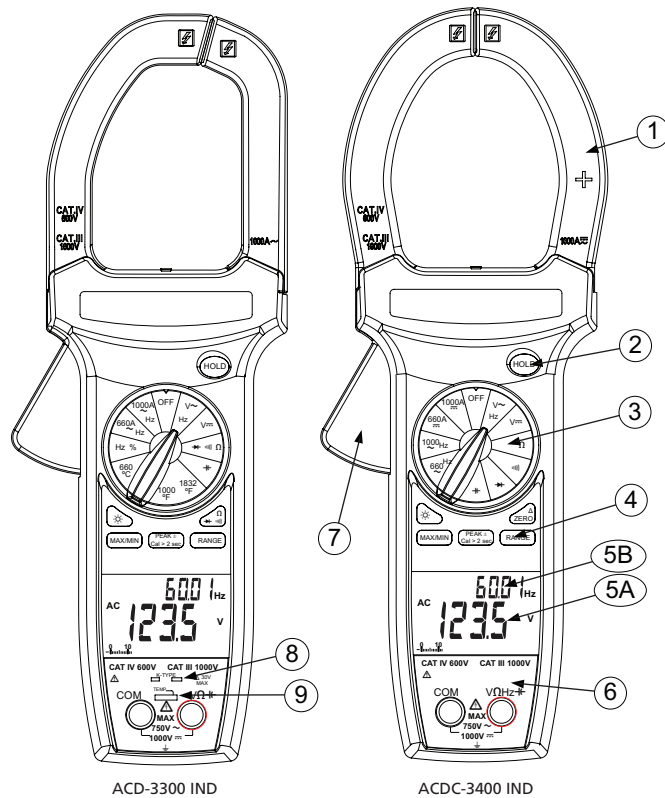
Reparaciones y reemplazos cubiertos por la garantía (todos los países)

Sírvase leer la declaración de garantía y compruebe su batería antes de solicitar la reparación. Durante el período de garantía, cualquier herramienta de comprobación defectuosa puede ser devuelta a su distribuidor de Amprobe® Test Tools para un intercambio por el mismo producto u otro similar. Consulte la sección "Where

distribuidores cercanos a usted. Además, en Estados Unidos y Canadá, las unidades para reparación y reemplazo cubiertas por la garantía también se pueden enviar a un Centro de Servicio de Amprobe® Test Tools (las direcciones se incluyen en la página siguiente).

Reparaciones y reemplazos no cubiertos por la garantía (Estados Unidos y Canadá)

Las reparaciones fuera de la garantía en los Estados Unidos y Canadá deben enviarse a un centro de servicio de Amprobe® Test Tools. Llame a Amprobe® Test Tools o solicite en su punto de compra para conocer las tarifas actuales de reparación y reemplazo.



ACD-3300 IND








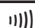





ACDC-3400 IND

- ❶ Mordazas para las pruebas actuales
- ❷ Botón HOLD
- ❸ Selector de funciones
- ❹ Botones de funciones auxiliares
- ❺A Pantalla LCD principal
- ❺B Pantalla LCD secundaria
- ❻ Tomas de entrada para funciones que no sean de medición de la corriente
- ❼ Activador para abrir las mordazas de corriente
- ❽ Tomas de entrada de temperatura
- ❾ Selector deslizable de temperatura

**ACD-3300 IND / ACDC-3400 IND Pinzas amperimétricas
industriales de verdadero valor eficaz CAT IV**

Símbolos.....	69
Información relacionada con la seguridad	69
⚠ Advertencias y precauciones.....	69
Desembalaje y contenido	70
Introducción	70
Funciones Auxiliares.....	70
Botón pulsador PEAK+/-	70
Botón MAX/MIN.....	71
⚠ Mediciones ZERO (relativas) (ACDC-3400 IND solamente)	71
Botón HOLD	71
Botón RANGE.....	71
☞ Botón pulsador de luz de fondo	71
Apagado automático (APO).....	71
Operación	71
Medición de tensión continua (CC) (vea la figura 2).....	71
Medición de tensión alterna (CA) (vea la figura 2)	71
Medición de corriente alterna (vea la figura 3).....	71
Medición de corriente continua (ACDC-3400 IND solamente) (vea la figura 3)	72
Medición de frecuencia / % ciclo de trabajo (vea la figura 2)	72
Medición de capacitancia (vea la figura 4)	72
Medición de resistencia (vea la figura 5).....	72
Pruebas de continuidad (vea la figura 5)	72
Pruebas de diodos (vea la figura 5)	73
Medición de temperatura (ACD 3300 IND solamente) (vea la figura 6)	73
Mantenimiento y reparación	73
Reemplazo de la batería (vea la figura 7)	73
Especificaciones.....	74
Generales.....	74
Eléctricas.....	74

SÍMBOLOS

	Batería		Consulte el manual
	Aislamiento doble		Tensión peligrosa
	Corriente continua		Conexión a tierra
	Corriente alterna		Señal acústica
	Cumple con las principales normas australianas.		Cumple con las directivas de la Unión Europea
	No se deshaga de este producto utilizando los servicios municipales de recolección de desechos sin clasificar.		Underwriters Laboratories. [Nota: canadiense y estadounidense.]
	Se permite tanto la instalación alrededor de conductores peligrosos con tensión, como su retirada		

INFORMACIÓN RELACIONADA CON LA SEGURIDAD

- Las pinzas amperimétricas digitales ACD-3300 IND y ACDC-3400 IND cumplen con EN61010-1:2001; EN61010-2-032:2002; CAT IV 600 V, CAT III 1000 V, clase II y grado de polución 2. EMC: conforms to EN61326-1.
- Cada instrumento tiene la certificación EN61010-1 para instalaciones de categoría IV (600 V). Se recomienda para instalaciones fijas y al nivel de distribución, así como en instalaciones menores, y para líneas de suministro primario, líneas aéreas y sistemas de cable.
- No exceda los límites máximos de sobrecarga por función (consulte las especificaciones) ni los límites indicados en el instrumento. Nunca aplique más de 1000 V CC/750 V CA rms entre el conductor de prueba y tierra.

⚠ Advertencias y precauciones

- Antes y después de realizar mediciones de tensión peligrosa, compruebe la función de tensión en una fuente conocida, tal como la tensión de línea, para determinar el correcto funcionamiento del multímetro.
- Desconecte los conductores de prueba de los puntos de prueba antes de cambiar las funciones del multímetro.
- Desconecte de los conductores de prueba del multímetro antes de medir la corriente.
- Antes de utilizar la pinza amperimétrica, examine los conductores de prueba y los accesorios. No la utilice si existe alguna pieza averiada.
- Asegúrese de no estar conectado a tierra mientras mide. No toque los elementos expuestos de los circuitos ni las puntas de las sondas de prueba.
- No utilice el instrumento en una atmósfera explosiva.
- Para reducir el riesgo de incendio o descarga eléctrica, no exponga este producto a la lluvia o a la humedad.
- El multímetro está destinado únicamente a uso en interiores. Para evitar los riesgos de descarga eléctrica, observe las precauciones correctas de seguridad al trabajar con tensiones de más de 60 V de CC, 42,4 V pico o 30 V de CA rms. Estos niveles de tensión presentan un potencial peligro de descarga eléctrica al usuario.
- Antes y después de realizar mediciones de tensión peligrosa, compruebe la función de tensión en una fuente conocida, tal como la tensión de línea, para determinar el correcto funcionamiento del multímetro.
- Mantenga sus manos/dedos detrás de los protectores correspondientes (del multímetro y de los conductores de prueba) que indican los límites de acceso seguro de la pieza sujeta manualmente durante la medición.
- Inspeccione los conductores de prueba, conectores y sondas para determinar si hay aislamiento dañado o metal expuesto antes de utilizar el instrumento. Si se encuentra algún defecto, reemplace de inmediato las piezas correspondientes.

- Este multímetro de pinza está diseñado para aplicarse alrededor de conductores peligrosos y no aislados, con tensión, y retirarse de ellos. Debe utilizarse equipo individual de protección en caso de que pudieran quedar accesibles piezas peligrosas con tensión de la instalación.
- Tenga el máximo cuidado al medir tensiones > 20 V // corrientes > 10 mA // líneas de alimentación de CA con cargas inductivas // líneas de alimentación de CA durante tormentas eléctricas // corrientes, al quemarse el fusible en circuitos con tensiones de circuito abierto > 1000 V // al trabajar en equipos con tubos de rayos catódicos (TRC).
- Retire los conductores de prueba antes de abrir la caja para cambiar la batería.
- Antes de comprobar la resistencia, la continuidad, los diodos o la capacitancia, desconecte la alimentación eléctrica al circuito y descargue todos los condensadores de alta tensión.
- Para evitar lecturas erróneas, lo cual podría provocar posibles descargas eléctricas o lesiones personales, reemplace las baterías en cuanto aparezca el indicador de batería con poca carga (🔋).
- Para evitar el riesgo de descargas eléctricas, no utilice el modo HOLD [H] para determinar si un circuito tiene tensión. No se capturarán ni mostrarán en pantalla las lecturas inestables.

⚠ PRECAUCIÓN

- Para mediciones no invasivas de corriente ACA, coloque las mordazas alrededor de un único conductor de un circuito para la medición de la corriente de carga. Si se utiliza más de un conductor, las lecturas serán falsas.

DESEMBALAJE Y CONTENIDO

La caja de envío debe incluir:

- 1 ACD-3300 IND o ACDC-3400 IND
- 1 Juego de conductores de prueba
- 1 Batería de 9 V (instalada)
- 1 Manual de uso
- 1 Estuche de transporte
- 1 Termopar tipo K (modelo ACD-3300 IND solamente)

Si alguno de los elementos estuviera dañado o faltara, devuelva inmediatamente el paquete completo al lugar de compra para hacer un cambio.

INTRODUCCIÓN

Los multímetros de pinza de verdadero valor eficaz ACD-3300 IND y ACDC-3400 IND son de rango automático hasta 1000 A CA y 750 V CA / 1000 V CC. Sus funciones incluyen tensión alterna y continua, corriente alterna y continua (ACDC-3400 IND), frecuencia, ciclo de trabajo, diodo, resistencia, capacitancia, pruebas de continuidad más mediciones relativas (ACDC-3400 IND). El modelo ACD-3300 IND también mide temperaturas hasta 1000 °C (1832 °F).

FUNCIONES AUXILIARES

Botón pulsador PEAK+/-

Se utiliza para registrar los valores de cresta + y - para las mediciones de tensión alterna y corriente alterna.

Haga la medición normal de corriente alterna y pulse el botón PEAK. El valor PEAK aparece en la pantalla secundaria y el valor real aparece en la pantalla principal. Este rango de función se bloquea en el rango normal utilizado y puede mostrar OL si la entrada supera el valor máximo del rango.

Nota: Si el botón PEAK ± se pulsa durante más de 2 segundos, la función PEAK pasará al modo de calibración, la pantalla LCD mostrará "CAL" y la memoria intermedia interna recordará la tensión de compensación operativa interna, y luego volverá al modo de medición. Para salir del modo 'CAL', apague el multímetro.

Botón MAX/MIN

El botón "MAX" muestra el valor máximo de una serie de mediciones. El botón "MIN" muestra el valor mínimo de una serie de mediciones. Aparece y parpadea "MAX/MIN" en la pantalla LCD para mostrar el valor que se está midiendo. Para salir, pulse el botón MAX/MIN durante más de 2 segundos.

Δ Mediciones ZERO (relativas) (ACDC-3400 IND solamente)

El modo relativo presenta la diferencia entre la lectura actual y un valor de referencia. Este modo se puede utilizar con cualquier función o rango. Para realizar mediciones relativas, establezca primero un valor de referencia: mida el valor y pulse el botón Δ una vez que la lectura se haya estabilizado. Esto guarda el valor medido como valor de referencia y pone la pantalla a cero. El multímetro resta el valor de referencia de las mediciones subsiguientes y presenta en la pantalla esta diferencia como un valor relativo. Los valores medidos superiores al valor de referencia serán positivos y los valores inferiores a éste serán negativos. Para abandonar el modo relativo, mantenga pulsado el botón Δ durante 2 segundos.

Esta función debe usarse para establecer el cero de corriente continua para amperios de CC.

Botón HOLD

Congela la lectura de LCD presente en el momento de pulsar el botón. Para usar esta función del menú, configure el multímetro para el tipo de medición y rango deseados. Conecte los conductores de prueba al circuito / componente que se desea medir, y luego pulse el botón pulsador HOLD. La lectura de la pantalla LCD se congelará, y mostrará "HOLD". Ahora podrá desconectar los conductores de prueba, y la lectura no volverá a cambiar hasta que usted no vuelva a pulsar HOLD otra vez.

Botón RANGE

Permite al usuario seleccionar el rango de una función que no muestra 'RANGE' en la pantalla LCD.

☼ Botón pulsador de luz de fondo

Enciende y apaga la luz de fondo.

Apagado automático (APO)

Este multímetro se apagará automáticamente después de 30 minutos. Para desactivar la función APO, coloque el multímetro en la posición de apagado, pulse y mantenga pulsado el botón (RANGE) o (MAX/MIN) mientras gira el selector giratorio a la posición correspondiente al rango deseado. Suelte el botón una vez que la pantalla LCD aparezca de la forma normal. Observe que falta el indicador "APO" de la pantalla.

OPERACIÓN

Medición de tensión continua (CC) (vea la figura 2)

1. Sitúe el selector de funciones en V_{DC} .
2. Conecte los conductores de prueba: El rojo al terminal +, el negro al terminal COM.
3. Conecte las sondas de prueba a los puntos de prueba del circuito.
4. Lea la pantalla y, si es necesario, corrija cualquier condición de sobrecarga (OL).

Medición de tensión alterna (CA) (vea la figura 2)

Precaución: Para tensiones inferiores a 0,2 V, la lectura de frecuencia podría resultar inestable.

1. Sitúe el selector de funciones en V_{AC} .
2. Conecte los conductores de prueba: El rojo al terminal +, el negro al terminal COM.
3. Conecte las sondas de prueba a los puntos de prueba del circuito.
4. Lea la tensión en la pantalla principal y la frecuencia en la pantalla secundaria y, si es necesario, corrija cualquier condición de sobrecarga (OL).

Medición de corriente alterna (vea la figura 3)

Precaución: Para corrientes inferiores a 10 A, la lectura de frecuencia podría resultar inestable.

1. Sitúe el selector de funciones en la posición A \sim .
2. Abra la pinza de resorte oprimiendo la palanca del lado izquierdo del multímetro.
3. Coloque la pinza alrededor de un hilo o conductor y suelte la palanca de la pinza. El hilo debería estar centrado dentro de las mordazas.
4. Lea la corriente en la pantalla principal y la frecuencia en la pantalla secundaria y, si es necesario, corrija cualquier condición de sobrecarga (OL).

Medición de corriente continua (ACDC-3400 IND solamente) (vea la figura 3)

1. Sitúe el selector de funciones en la posición A $\overline{\text{—}}$.
2. Pulse el botón Δ para anular la compensación de amperios de corriente continua.
3. Abra la pinza de resorte oprimiendo la palanca del lado izquierdo del multímetro.
4. Coloque la pinza alrededor de un hilo o conductor y suelte la palanca de la pinza. El hilo debería estar centrado dentro de las mordazas.
5. Lea el valor que aparece en la pantalla.

Medición de frecuencia / % ciclo de trabajo (vea la figura 2)

1. Seleccione la posición "Hz".
2. Conecte los conductores de prueba: El rojo al terminal +, el negro al terminal COM.
3. Conecte las sondas de prueba a los puntos de prueba del circuito.
4. Lea la frecuencia en la pantalla principal y el ciclo de trabajo en la pantalla secundaria y, si es necesario, corrija cualquier condición de sobrecarga (OL).

Medición de capacitancia (vea la figura 4)

Nota: Cuando el condensador que se va a medir está conectado y la pantalla LCD indica "di .c", esto significa que hay tensión en el condensador y que es necesario descargarlo antes de realizar las pruebas.

1. Seleccione la posición "F".
2. Conecte los conductores de prueba: El rojo al terminal +, el negro al terminal COM.
3. Conecte las sondas de prueba a los puntos de prueba del circuito.
4. Lea la pantalla y, si es necesario, corrija cualquier condición de sobrecarga (OL).

Δ PRECAUCIÓN

El uso de la función de resistencia o continuidad en un circuito con tensión producirá resultados falsos y podría ocasionar daños al instrumento. En muchos casos, el componente sospechoso deberá desconectarse del circuito para obtener una lectura exacta de la medición.

Medición de resistencia (vea la figura 5)

1. Sitúe el selector de funciones en Ω . Utilice el botón ' $\Omega \rightarrow \text{F}$ ' para seleccionar la prueba de resistencia (ACD-3300 IND solamente).
2. Conecte los conductores de prueba: El rojo al terminal +, el negro al terminal COM.
3. Desconecte la alimentación eléctrica al circuito que se va a medir. Nunca mida la resistencia en paralelo con una fuente de tensión ni en un circuito con alimentación eléctrica.
4. Descargue todos los condensadores que puedan afectar a la lectura.
5. Conecte las sondas de prueba a través de la resistencia.
6. Compruebe la lectura de la pantalla. Si aparece OL en el rango superior, la resistencia es demasiado grande para medirla con el instrumento o el circuito es un circuito abierto.

Pruebas de continuidad (vea la figura 5)

1. Sitúe el selector de funciones en ||| . Utilice el botón ' $\Omega \rightarrow \text{F}$ ' para seleccionar la prueba ||| (ACD-3300 IND solamente).
2. Conecte los conductores de prueba: El rojo al terminal +, el negro al terminal COM.
3. Desconecte la alimentación eléctrica al circuito que se va a medir.
4. Descargue todos los condensadores que puedan afectar a la lectura.
5. Conecte las sondas de prueba a través de la resistencia o de los dos puntos de prueba.
6. Esté atento a la señal acústica que indica continuidad (< 30 Ω).

Pruebas de diodos (vea la figura 5)

1. Fije el selector de funciones en la posición " \rightarrow ". Utilice el botón ' $\Omega \rightarrow$ ' para seleccionar la prueba de diodos (ACD-3300 IND solamente).
2. Conecte el conductor de prueba de color rojo a la toma "V Ω " y el conductor de prueba de color negro a la toma "COM".
3. Desconecte el suministro eléctrico al circuito bajo prueba. La tensión externa a través de los componentes causa lecturas no válidas.
4. Toque con las sondas el diodo. Una caída de voltaje directo es de aproximadamente 0,6 V (típica para un diodo de silicio).
5. Invierta las sondas. Si el diodo está en buen estado, aparece "OL". Si el diodo está en cortocircuito, aparece "0.00" u otro número.
6. Si el diodo está abierto, aparece "OL" en ambas direcciones.
7. Indicación acústica: Menos de 30 Ω .

Medición de temperatura (ACD 3300 IND solamente) (vea la figura 6)

1. Verifique que el lugar que se está midiendo no tiene corriente eléctrica.
2. Sitúe el selector de funciones en °C y rango, o en °F y rango.
3. Mueva el selector deslizante a la posición TEMP. Inserte la toma del termopar que coincida con las anchuras de la ranura.
4. Conecte el globo del termopar al punto de prueba.
5. Compruebe la lectura de la pantalla. Si aparece OL en la pantalla, la temperatura es demasiado grande para ser medida o el termopar está abierto.

Nota: Los conductores de prueba deberán desconectarse para mover la placa deslizante de modo que se pueda insertar el termopar.

MANTENIMIENTO Y REPARACIÓN

Si parece que el multímetro no funciona bien, realice los pasos siguientes para identificar la causa del problema:

1. Compruebe la batería.
2. Repase las instrucciones de funcionamiento por si hubiera cometido algún error en un procedimiento.
3. Inspeccione los conductores de prueba y compruebe si la conexión está rota o es intermitente.

Excepto cambiar la batería y probar las sondas, cualquier otra reparación del multímetro deberá llevarla a cabo exclusivamente un centro de servicio autorizado por la fábrica u otro personal cualificado para reparación de instrumentos. El panel frontal y la caja pueden limpiarse con una solución suave de detergente y agua. Aplique sólo un poquito de dicha solución con un paño suave y séquelo por completo antes de su utilización. No utilice hidrocarburos aromáticos ni solventes clorados para la limpieza.

Reemplazo de la batería (vea la figura 7)

Advertencia

Para evitar choques eléctricos o daños en el multímetro, desconecte los conductores de prueba que haya entre cualquier circuito y el multímetro y, seguidamente, apague el multímetro antes de quitar la tapa de la batería. La batería deberá reemplazarse en un entorno limpio y con la diligencia adecuada para evitar contaminar los componentes interiores del multímetro.

1. Quite los tornillos y levante la tapa de la batería.
2. Reemplace la batería con otra del mismo tipo; es decir, con una batería de 9 voltios. Observe la polaridad de la misma.
3. Vuelva a cerrar la caja con los tornillos.

ESPECIFICACIONES

Generales

Pantalla: Pantalla de cristal líquido (LCD) de 3¼ dígitos (6600 recuentos) con un gráfico analógico de barras de 66 segmentos

Polaridad: Polaridad automática, positiva de manera implícita y negativa por indicación
Sobrerango: Aparece (OL) o (-OL) en la pantalla

Cero: Automático

Señal de batería con poca carga: Aparece "🔋" cuando la tensión en la batería disminuye por debajo del nivel necesario para el funcionamiento

Apagado automático: Aprox. 30 minutos

Luz de fondo: Apagado automático de la luz de fondo en 60 segundos aproximadamente

Velocidad de medición: 2,8 veces por segundo, valor nominal

Gráfico de barras analógico: 28 veces por segundo

Condiciones ambientales de funcionamiento: 0 °C a 50 °C (32 °F a 122 °F) a < 70 % H.R.

Temperatura de almacenamiento: De -20 °C a 60 °C (-4 °F a 140 °F), con un valor de H.R. de < 80 %, con la batería fuera del multímetro

Coefficiente de temperatura: 0,1 x (exactitud especificada) por °C (de 0 a 18 °C, de 28 °C a 50 °C)

Entorno: 2000 m (6561,7 pies), uso en interiores

Capacidad de apertura de la mordaza: conductor de 57 mm (2,0 pulg.)

Alimentación: Una batería estándar de 9 voltios, NEDA 1604, JIS 006P, IEC 6F22

Vida útil de la batería: típicamente de 75 horas con carbón-zinc; 150 horas con una batería alcalina

Dimensiones:

ACDC-3400 IND: 281 x 108 x 53 mm (11,1 x 4,3 x 2,1 pulg.)

ACD-3300 IND: 279 x 103 x 53 mm (11 x 4,1 x 2,1 pulg.)

Peso:

ACDC-3400 IND: 559 gm (1,23 lb.)

ACD-3300 IND: 500 gm (1,10 lb.)

Seguridad: LVD cumple con EN61010-1:2001 y EN61010-2-032:2002, CAT III 1000 V, CAT IV 600 V, clase II y grado de polución 2

CE EMC: EN 61326-1:2006 Este producto cumple con los requisitos de las siguientes directivas de la comunidad europea: 2004/108/EC (compatibilidad electromagnética) y 2006/95/EC (baja tensión) según enmiendas de 93/68/EEC (marca CE). Sin embargo, la presencia de impulsos eléctricos o campos electromagnéticos intensos cerca del equipo puede perturbar el funcionamiento del circuito de medición. Los instrumentos de medición también responderán a señales no deseados que puedan estar presentes en el circuito de medición. Los usuarios deben obrar con cuidado y tomar las precauciones apropiadas para evitar resultados erróneos al realizar mediciones en presencia de interferencia electrónica.

Eléctricas

Exactitud: Exactitud especificada a 23 °C ± 5 °C, < 75 % HR

VOLTIOS CC

Rangos	Exactitud
660,0 mV, 6,600 V, 66,00 V, 660,0 V, 1000 V	± (0,5 % lect. + 2 dígitos)

Impedancia de entrada: 660 mV: > 100 MΩ; 6,6 V:10 MΩ; 66 V a 1000 V: 9,1 MΩ

Protección contra sobrecargas: 1000 V CC o 750 V CA rms

VERDADERO VALOR EFICAZ DE CORRIENTE ALTERNA

Rangos:	Frecuencia	Exactitud
660,0 mV	50 a 100 Hz	± (1,5 % lect. + 8 dígitos)
6,600 V, 66,00 V	50 a 500 Hz	± (1,5 % lect. + 8 dígitos)
660,0 V, 750 V	50 a 500 Hz	± (1,5 % lect. + 8 dígitos)
Frecuencia **	50 a 1 kHz	± (0,1 % lect. + 5 dígitos)

Retención de cresta:

Rangos:	Frecuencia	Exactitud
66,00 V, 660,0 V, 750 V	50 a 500 Hz	± (3,0 % lect. + 200 dígitos)

** Frecuencia: 10 % a 100 % del rango de tensión

TRMS acoplado a CA: 5 % a 100% del rango

Factor de cresta: ≤ 3

Impedancia de entrada: 660 mV: > 100 MΩ; 6,6 V:10 MΩ; 66 V a 750 V: 9,1 MΩ

Protección contra sobrecargas: 1000 V CC o 750 V CA rms

CORRIENTE ALTERNA: RMS VERDADERO

Rangos:	Frecuencia	Exactitud
66,00 A*	50 a 60 Hz	± (2,0 % lect. + 10 dígitos)
66,00 A*	61 a 400 Hz	± (3,0 % lect. + 10 dígitos)
660,0 A	50 a 60 Hz	± (2,0 % lect. + 10 dígitos)
660,0 A	61 a 400 Hz	± (3,0 % lect. + 10 dígitos)
1000 A	50 a 60 Hz	± (2,5 % lect. + 10 dígitos)
1000 A	61 a 400 Hz	± (3,5 % lect. + 10 dígitos)
Frecuencia**	50 a 1 kHz	± (0,1 % lect. + 5 dígitos)

Retención de cresta:

Rangos:	Frecuencia	Exactitud
66,00 A*, 660,0 A, 1000 A	50 a 400 Hz	± (3,0 % lect. + 200 dígitos)

* ACD-3300 IND solamente

** Frecuencia: 10 % a 100 % del rango actual

TRMS acoplado con CA: 5 % a 100 % del rango

Factor de cresta: ≤ 3

Protección contra sobrecargas: 1000 A CA

CORRIENTE CONTINUA (ACDC-3400 IND solamente)

Rango	Exactitud
660,0 A	± (2,0 % lect. + 5 dígitos)
1000 A	± (3,0 % lect. + 5 dígitos)

Protección contra sobrecargas: 1000 A CC

RESISTENCIA

Rango	Exactitud
660,0 Ω, 6,600 kΩ	± (1,0 % lect. + 5 dígitos)
66,00 kΩ, 660,0 kΩ	
6,600 MΩ:	± (2,0 % lect. + 5 dígitos)
66,00 MΩ:	± (3,5 % lect. + 5 dígitos)

Tensiones de circuito abierto: -0,8 V CC típica, (-1,2 V CC en el rango de 660 Ω)

Protección contra sobrecargas: 1000 V CC o 750 V CA rms

CAPACITANCIA

Rango	Exactitud
6,600 nF, 660 nF	± (3,0 % lect. + 20 dígitos)
66 nF, 6,600 μF, 66,00 μF, 660,0 μF	± (3,0 % lect. + 10 dígitos)
6,6 mF	± (5,0 % lect. + 10 dígitos)

Protección contra sobrecargas: 1000 V CC o 750 V CA rms

TEMPERATURA (ACD-3300 IND solamente)

Rango	Exactitud
0,0 °C a 400,0 °C	± (1,0 % + 1 °C)
-35,0 °C a 0,0 °C, 400 °C a 1000 °C	± (2,0 % + 3 °C)
32,0 °F a 750,0 °F	± (1,0 % + 2 °F)
-30,0 °F a 32,0 °F, 750 °F a 1832 °F	± (2,0 % + 6 °F)

Tipo de sensor: Termopar tipo K

Protección contra sobrecargas: 30 V máx

PRUEBA DE DIODOS

Corriente de prueba: 0,8 mA (aproximadamente)

Exactitud: ± (1,5 % lect. + 5 dígitos)

Tensiones de circuito abierto: 3,2 V CC típico
Indicación acústica: < 0,03 V
Protección contra sobrecargas: 1000 V CC o 750 V CA rms

CONTINUIDAD

Rangos: 660,0 Ω
Indicación acústica: < 30 Ω
Tiempo de respuesta: 500 ms
Protección contra sobrecargas: 1000 V CC o 750 V CA rms

FRECUENCIA (rango automático)

Rango	Exactitud
66,00 Hz, 660,0 Hz, 6,600 kHz, 66,00 kHz, 660,0 kHz, 1,000 MHz	\pm (0,1 % lect. + 5 dígitos)

Sensibilidad: 10 Hz a 1 MHz: > 3,5 V rms
Anchura mínima del impulso: > 1 us
Límites del ciclo de trabajo: >30 y <70%
% CICLO DE TRABAJO
Rango: 5,0 % a 95,0 %
Resolución: 0,1 %
Anchura mínima del impulso: > 10 us
Rango de frecuencia: 40 Hz a 20 kHz
Exactitud (5 V lógica): \pm (2 % lect. + 10 dígitos)
Protección contra sobrecargas: 1000 V CC o 750 V CA rms

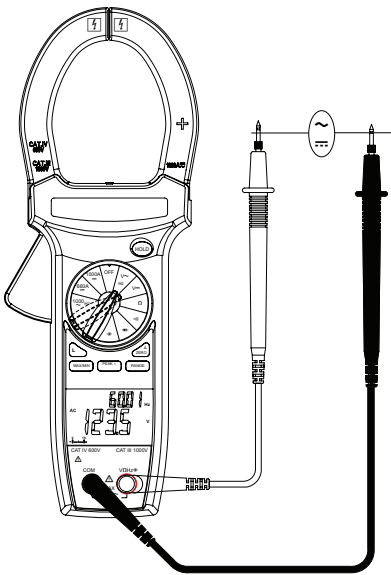


Fig 2. Tensión \ Frecuencia \ Ciclo de trabajo

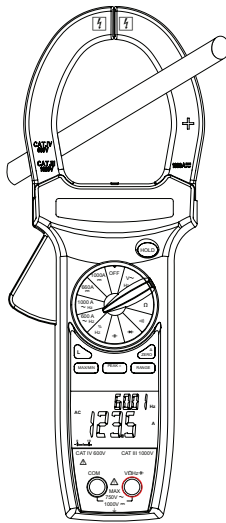


Fig 3. Corriente

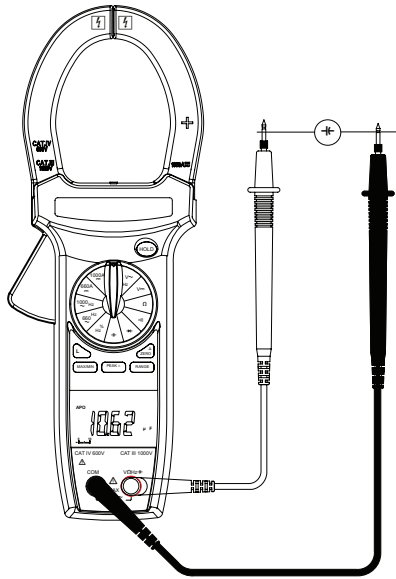


Fig 4. Capacitancia

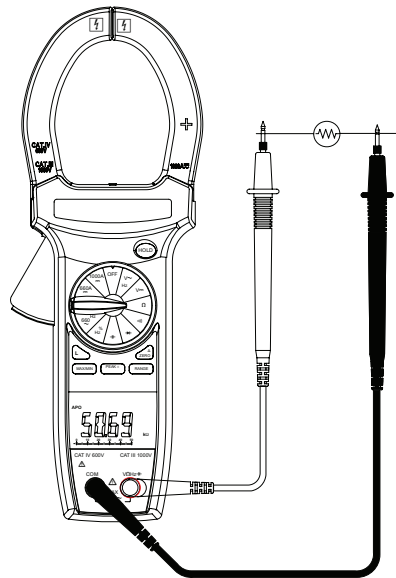


Fig 5. Resistencia \ Continuidad \ Diodo

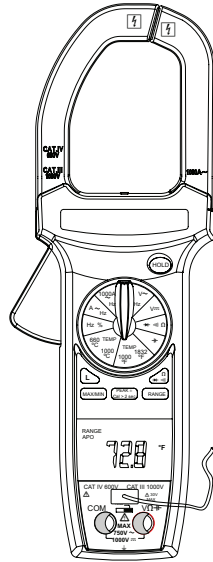


Fig 6. Temperatura (ACD-3300 IND solamente)

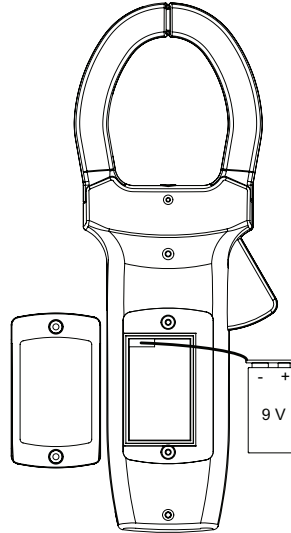


Fig 7. Reemplazo de baterías



ACD-3300 IND
ACDC-3400 IND
CAT IV Industriell True RMS
Klämmätare

Användarhandbok

Svenska

ACD3300ACDC3400_Rev001
© 2009 Amprobe Test Tools.
Med ensamrätt.

Begränsad garanti och begränsning av ansvar

Din Amprobe-produkt garanteras vara fri från felaktigheter i material och utförande i ett år från inköpsdatum. Denna garanti innefattar inte säkringar, engångsbatterier eller skador som uppkommer till följd av olyckshändelser, försummelser, missbruk, ändringar, nedsmutsning eller onormala användningsförhållanden eller hantering. Amprobes garantiförpliktelse är begränsad, enligt Amprobes gottfinnande, till återbetalning av inköpspriset, gratis reparation eller ersättning av en defekt produkt. Återförsäljare är ej berättigade att lämna några ytterligare garantier på Amprobes vägnar. Om du behöver service under garantiperioden, skall du returnera produkten tillsammans med inköpsbevis till ett auktoriserat Amprobe Test Tools Service Center eller en Amprobe-leverantör eller distributör. Avsnittet Reparation innehåller uppgifter om detta. DENNA GARANTI UTGÖR DIN ENDA GOTTFÖRELSE. ALLA ANDRA GARANTIER, VARE SIG DESSA ÅR UTTRYCKTA, UNDERFÖRSTÅDDA ELLER LAGSTADGADE, INKLUSIVE UNDERFÖRSTÅDDA GARANTIER OM LÄMPLIGHET FÖR ETT VISST ÄNDAMÅL ELLER SÄLJBARHET, EXKLUDERAS HÄRMEDE. VARKEN AMPROBE ELLER DESS MODERBOLAG ELLER DOTTERBOLAG ANSVARAR FÖR SPECIELLA SKADOR, INDIRECTA SKADOR ELLER OFÖRUTSEDDA SKADOR ELLER FÖLJDSKADOR ELLER FÖRLUSTER, OAVSETT OM DE INTRÄFFAR PÅ GRUND AV GARANTIBROTT ELLER OM DE BASERAS PÅ KONTRAKT. Eftersom det i vissa delstater eller länder inte är tillåtet att begränsa eller exkludera en underförstådd garanti eller oförutsedda skador eller följskador, gäller denna ansvarsbegränsning kanske inte dig.

Reparation

Följande uppgifter skall medfölja alla testverktyg som returneras för garantireparation, reparation utanför garantiåtagandet eller för kalibrering: ditt namn, företagets namn, adress, telefonnummer och inköpsbevis. Inkludera dessutom en kort beskrivning av problemet eller den begärda tjänsten och skicka också in testsladdarna tillsammans med mätaren. Betalning för reparation som ej faller under garantin eller utbyte skall ske med check, postanvisning, kreditkort med utgångsdatum eller en inköpsorder med betalningsmottagare Amprobe® Test Tools.

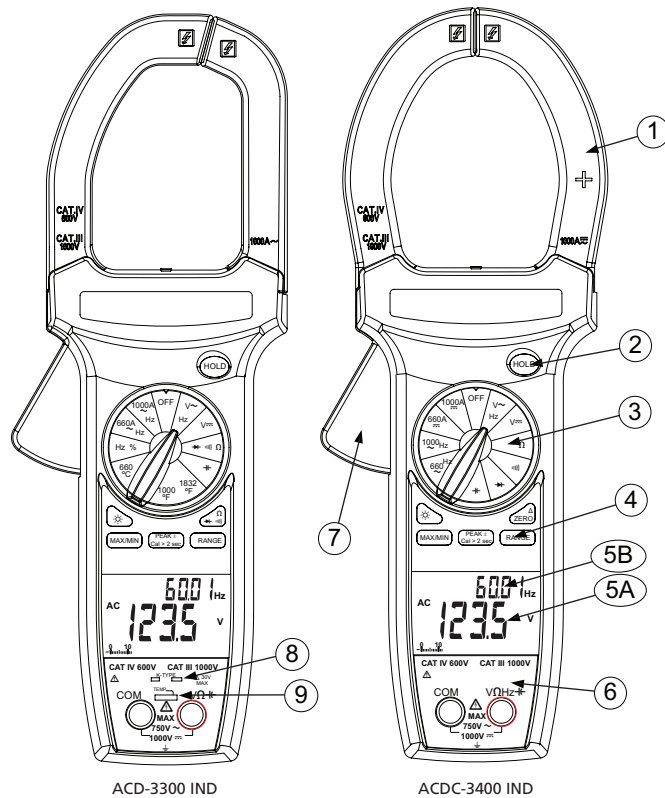
Reparationer och utbyten under garanti – Alla länder

Läs garantiuttalandet och kontrollera batteriet innan du begär reparation. Defekta testverktyg kan under garantiperioden returneras till din Amprobe® Test Tools-distributör för utbyte mot samma eller liknande produkt. Avsnittet "Where to Buy"

du befinner dig i USA eller Kanada och din enhet täcks av garanti kan du få den reparerad eller utbytt genom att skicka in den till ett Amprobe® Test Tools Service Center (se nästa sida för adresser).

Reparationer och utbyten ej under garanti – USA och Kanada

Enheter som kräver reparation, men som ej täcks av garanti i USA och Kanada, ska skickas till ett Amprobe® Test Tools Service Center. Ring till Amprobe® Test Tools eller kontakta inköpsstället för att få uppgift om aktuella kostnader för reparation och utbyte.



ACD-3300 IND






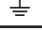

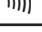





ACDC-3400 IND

- ① Klämmor för Strömtest
- ② HOLD-knapp
- ③ Vred för funktionsval
- ④ Knappar för hjälpfunktion
- ⑤A Primär LCD-display
- ⑤B Sekundär LCD-display
- ⑥ Ingångskontakter för funktioner utöver Ström
- ⑦ Utlösare för att öppna strömklämmorna
- ⑧ Ingångskontakter för temperatur
- ⑨ Skjutreglage temperatur

ACD-3300 IND/ACDC-3400 IND
CAT IV Industriell True RMS Klämmätare

Symboler	85
Säkerhetsinformation	85
▲ Varningar och Försiktighetsåtgärder	85
Uppackning och Innehåll	86
Introduktion	86
Hjälpfunktioner	86
PEAK +/--knapp	86
Den används för att registrera de högsta (+) och lägsta (-) mätvärdena för AC-spänning och AC-ström.	86
MAX/MIN-knapp	86
▲ ZERO (Relativa)-mätningar (endast ACDC-3400).....	87
HOLD-knapp.....	87
OMRÅDE-knapp.....	87
☼ Bakgrundsbelysningsknapp.....	87
Automatisk avstängning (APO)	87
Drift.....	87
Mätning av DC-spänning (se fig. 2)	87
Mätning av AC-spänning (se fig. 2)	87
Mätning av AC-ström (se fig. 3).....	87
Mätning av DC-ström (endast ACDC-3400 IND) (se Fig. 3)	88
Mätning av frekvens / % Driftscykel (se Fig. 2)	88
Mätning av kondensator (se Fig. 4)	88
Kontinuitetstest (se Fig. 5)	88
Test av diod (se Fig. 5)	88
Mätning av temperatur (endast ACD 3300 IND) (se Fig. 6)	89
UNDERHÅLL OCH REPARATION	89
Ersättning av batteri (se Fig. 7)	89
SpecifikationER	89
Allmänt.....	89
Elektriskt.....	90

SYMBOLER

	Batteri		Referera till handboken
	Dubbelisolerad		Farlig spänning
	Likström		Jordning
	Växelström		Hörbar ton
	Uppfyller relevanta australiska normer.		Uppfyller EU-direktiv
	Denna produkt får ej avyttras som osorterat kommunalt avfall.		Underwriters Laboratories. [Obs! Kanada och USA]
	Användning i närheten av och avlägsnande från farliga strömförande ledare är tillåtet		

SÄKERHETSINFORMATION

- ACD-3300 IND och ACDC-3400 IND Digital Clamp meters uppfyller EN61010-1:2001; EN61010-2-032:2002; CAT IV 600 V, CAT III 1000 V, klass II och föroreningsgradering 2. EMC: conforms to EN61326-1.
- Alla instrument är EN61010-1-certifierat för installationskategori IV (600 V). Det rekommenderas för användning i installationer på distributionsnivå och fasta installationer, såväl som mindre installationer, men inte för primära kraftledningar, luftledningar och kabelsystem.
- Överskrid inte de maximala gränserna för överbelastning per funktion (se specifikationer) och inte heller de gränser som är märkta på själva instrumentet. Applicera aldrig mer än 1000 Vdc / 750 Vac mellan fas och jordning.

Varningar och Försiktighetsåtgärder

- Före och efter mätningar av farlig spänning ska spänningsfunktionen testas på en känd källa som t.ex. spänningen i ledningen för att fastställa att mätaren fungerar korrekt.
- Koppla bort mätsladdarna från testpunkterna innan mätarfunktioner ändras.
- Koppla bort mätsladdar innan strömmätning.
- Inspektera mätarklämmor, mätsladdar och tillbehör innan varje användning. Använd inga skadade delar.
- Jorda aldrig dig själv när du utför mätningar. Vidrör inte blottlagda krets-element eller sondspetsar.
- Använd inte instrumentet i en explosiv atmosfär.
- Minska risken för brand eller elektriska stötar genom att inte utsätta produkten för regn eller fukt.
- Mätaren är endast avsedd för inomhusbruk. Undvik risken för elektriska stötar genom att vidta lämpliga försiktighetsåtgärder angående säkerhet när du arbetar med spänningar över 60 Vdc (42,4 V topp) eller 30 Vac rms. Dessa spänningsnivåer utgör en potentiell risk för stötar för användaren.
- Före och efter mätningar av farlig spänning ska spänningsfunktionen testas på en känd källa som t.ex. spänningen i ledningen för att fastställa att mätaren fungerar korrekt.
- Håll händer och fingrar bakom hand-/fingerskydden (på mätaren och mätsladdarna) som anger gränsen för säker åtkomst till de handhållna delarna under mätning.
- Inspektera mätsladdar, kopplingar och sonder med avseende på skadad isolering eller blottad metall innan du använder instrumentet. Om några defekter upptäcks ska delarna omedelbart bytas ut.

- Denna klämströmsensor är utformad för att användas runt eller avlägsnas från oisolerade, riskfyllda strömförande ledare. Personlig skyddsutrustning måste användas om riskfyllda, strömförande delar av installationen kan vara åtkomliga.
- Var ytterst försiktig vid: mätning av spänning > 20 V // strömstyrka > 10 mA // AC-ledning med induktiva belastningar // AC-ledning under åskväder // strömstyrka, när säkringen går i en krets med öppen kretsspänning > 1000 V // service på CRT-utrustning.
- Ta bort alla mätsladdar innan du öppnar kåpan för att byta batteriet.
- Koppla bort kretsen och ladda ur alla högspänningskondensatorer innan test av motstånd, kontinuitet, dioder eller kapacitans.
- Undvik felaktiga avläsningar, som kan leda till möjliga elektriska stötar eller personsador genom att byta ut batterierna så snart indikatorn för svagt batteri (🔋) visas.
- Undvik elektriska stötar genom att inte använda läget HOLD [H] för att fastställa om en krets är strömförande. Instabila avläsningar kommer inte att registreras eller visas.

⚠ FÖRSIKTIGHET

- För icke-invasiva ACA strömmätningar ska klämman fästas runt en ensam ledning i en krets för mätning av belastningsström. Mer än 1 ledning kommer att orsaka felaktiga mätresultat.

UPPACKNING OCH INNEHÅLL

Din box ska innehålla:

- 1 ACD-3300 IND eller ACDC-3400 IND
- 1 Set med mätsladdar
- 1 9 V-batteri (installerat)
- 1 Användarhandbok
- 1 Transportlåda
- 1 Termokoppling typ-K (endast modell ACD-3300 IND)

Om någon artikel är skadad eller saknas ska hela paketet omedelbart returneras till inköpsstället för utbyte.

INTRODUKTION

ACD-3300 IND och ACDC-3400 IND True RMS klämströmsensorer har automatiskt områdesval upp till 1000 ACA och 750 Vac / 1000 Vdc. Dess funktioner inkluderar AC / DC-spänning (ACDC-3400 IND), frekvens, driftscykel, diod, motstånd, kapacitans, kontinuitetstest samt relativ (ACDC-3400 IND). Modell ACD-3300 IND mäter även temperatur upp till 1000 °C (1832 °F).

HJÄLPUNKTIONER

PEAK +/-knapp

Den används för att registrera de högsta (+) och lägsta (-) mätvärdena för AC-spänning och AC-ström.

Utför en normal AC-mätning och tryck på PEAK-knappen - PEAK-värdet visas på den sekundära displayen och det aktuella värdet visas på huvuddisplayen. Detta funktionsområde fixeras på det normala området som används och kan visa OL om ingångsvärdet överskrider områdets maxvärde.

Obs! Om PEAK +/-knappen hålls intryckt > 2 sek kommer PEAK-funktionen att gå till kalibreringsläge, LCD-displayen kommer att visa "CAL" och den interna bufferten kommer att spara den interna op offset-spänningen och sedan gå tillbaka till mätläget. Vrid mätaren till OFF för att gå ur "CAL"-läget.

MAX/MIN-knapp

"MAX" visar det maximala värdet från en grupp med mätningar. "MIN" visar det maximala värdet från en grupp med mätningar. "MAX/MIN" visas och blinkar i LCD:n för att visa värdet som mäts. Håll in MAX/MIN-knappen under minst 2 sekunder för att gå ur.

Δ ZERO (Relativa)-mätningar (endast ACDC-3400)

Läget Relativa visar skillnaden mellan den verkliga avläsningen och ett referensvärde. Det kan användas med alla funktioner och områden. För att utföra en relativ mätning ska först ett referensvärde etableras genom att mäta ett värde och sedan trycka på Δ-knappen när avläsningen stabiliserats. Detta lagrar det uppmätta värdet som ett referensvärde och nollställer displayen. Mätaren erhåller referensvärdet från följande mätningar och visar denna skillnad som det relativa värdet. Mätvärden som överskrider referensvärdet kommer att vara positiva och värden som understiger referensvärdet kommer att vara negativa. Håll in Δ-knappen under 2 sekunder för att lämna Relativ-läget.

Denna funktion bör användas för att nollställa DC för DC-amp.

HOLD-knapp

Data hold fryser värdet som visas på LCD:n när knappen aktiveras - Ställ in mätaren för den typ av mätning och område som önskas för att använda denna menyfunktion. Anslut mätsladdarna till kretsen/komponenten som ska mätas och tryck sedan på HOLD-knappen. Avläsningen på LCD:n kommer att frysas och visa "HOLD". Du kan nu avlägsna mätsladdarna och avläsningen kommer inte att ändras tills det att man trycker på HOLD igen.

OMRÅDE-knapp

Låter användaren välja området för en funktion som inte visar "RANGE" på LCD:n.

☼ Bakgrundsbelysningsknapp

Aktiverar eller avaktiverar bakgrundsbelysningen.

Automatisk avstängning (APO)

Denna mätare kommer att stängas av automatiskt efter 30 minuter. För att avaktivera APO:n; stäng av mätaren, håll in "RANGE" eller "MAX/MIN"-knappen medan vredet ställs till önskat område. Släpp knappen när LCD:n visas normalt. Notera att inget "APO"-meddelande visas på LCD:n.

DRIFT

Mätning av DC-spänning (se fig. 2)

1. Ställ funktionsomkopplaren till V_{DC} .
2. Anslut mätsladdarna: Röd till +, Svart till COM.
3. Anslut testsonderna till kretsens testpunkter.
4. Läs av displayen och korrigerar ev. överbelastningsproblem (OL) om nödvändigt.

Mätning av AC-spänning (se fig. 2)

Försiktighet: Frekvensavläsning kan vara instabil för spänningar under 0,2 V.

1. Ställ funktionsomkopplaren till V_{AC} .
2. Anslut mätsladdarna: Röd till +, Svart till COM.
3. Anslut testsonderna till kretsens testpunkter.
4. Läs av spänningen på huvuddisplayen och frekvensen på den sekundära displayen och korrigerar ev. överbelastningsproblem (OL) om nödvändigt.

Mätning av AC-ström (se fig. 3)

Försiktighet: Frekvensavläsningar kan vara instabila för ström under 10 A.

1. Ställ funktionsomkopplaren till A_{AC} -positionen.
2. Öppna den fjäderbelastade klämman genom att trycka på spaken på mätarens vänstra sida.
3. Placera klämman runt en ledning eller konduktor och släpp spaken. Ledningen ska vara centrerad inuti klämmorna.
4. Läs av spänningen på huvuddisplayen och frekvensen på den sekundära displayen och korrigerar ev. överbelastningsproblem (OL) om nödvändigt.

Mätning av DC-ström (endast ACDC-3400 IND) (se Fig. 3)

1. Ställ funktionsomkopplaren till position A $\overline{\text{A}}$.
2. Tryck på Δ -knappen för att nollställa DC-amp offset.
3. Öppna den fjäderbelastade klämman genom att trycka på spaken på mätarens vänstra sida.
4. Placera klämman runt en ledning eller konduktor och släpp spaken. Ledningen ska vara centrerad inuti klämmorna.
5. Läs av det visade värdet.

Mätning av frekvens / % Driftscykel (se Fig. 2)

1. Välj position "Hz".
2. Anslut mätsladdarna: Röd till +, Svart till COM.
3. Anslut testsonderna till kretsens testpunkter.
4. Läs av spänningen på huvuddisplayen och driftscykeln på den sekundära displayen och korrigera ev. överbelastningsproblem (OL) om nödvändigt.

Mätning av kondensator (se Fig. 4)

Obs! När kondensatorn som ska mätas är ansluten och LCD:n visar "di. c" betyder detta att kondensatorn har spänning och måste laddas ur innan testning.

1. Välj position " $\overline{\text{C}}$ ".
2. Anslut mätsladdarna: Röd till +, Svart till COM.
3. Anslut testsonderna till kretsens testpunkter.
4. Läs av displayen och korrigera ev. överbelastningsproblem (OL) om nödvändigt.

Δ FÖRSIKTIGHET

Att använda funktionen Resistance (Motstånd) eller Continuity (Kontinuitet) i en strömförande krets kommer att ge felaktiga resultat och kan skada instrumentet. I det flesta fall måste den misstänkta komponenten kopplas bort från kretsen för att erhålla en korrekt avläsning av mätningen.

Mätning av motstånd (se Fig. 5)

1. Ställ funktionsomkopplaren till position Ω . Använd knappen ' $\Omega \rightarrow \overline{\text{C}}$ ' för att välja motståndstestet (endast ACD-3300 IND).
2. Anslut mätsladdarna: Röd till +, Svart till COM.
3. Koppla bort effekten till kretsen som ska mätas. Mät aldrig motstånd över en spänningskälla eller på en krets med spänning.
4. Ladda ur alla kondensatorer då dessa kan påverka avläsningen.
5. Anslut testsonderna över motståndet.
6. Läs av displayen. Om OL visas i det högsta området är motståndet för stort för att mätas eller så är kretsen en öppen krets.

Kontinuitetstest (se Fig. 5)

1. Ställ funktionsomkopplaren till position $\overline{\text{C}}$. Använd knappen ' $\Omega \rightarrow \overline{\text{C}}$ ' för att välja $\overline{\text{C}}$ -testet (endast ACD-3300 IND).
2. Anslut mätsladdarna: Röd till +, Svart till COM.
3. Koppla bort effekten till kretsen som ska mätas.
4. Ladda ur alla kondensatorer som kan påverka avläsningen.
5. Anslut testsonderna över motståndet eller de två testpunkterna.
6. Lyssna efter tonen som indikerar kontinuitet ($< 30 \Omega$).

Test av diod (se Fig. 5)

1. Ställ funktionsvredet till position " $\overline{\text{D}}$ ". Använd knappen ' $\Omega \rightarrow \overline{\text{D}}$ ' för att välja diodtest (endast ACD-3300 IND).
2. Anslut den röda mätsladden till " $\text{V}\Omega$ "-uttaget och den svarta mätsladden till "COM"-uttaget.

3. Koppla bort effekten till kretsen under test. Extern spänning över komponenterna orsakar ogiltiga avläsningar.
4. Rör vid dioden med sonderna. Ett framspänningsfall är ungefär 0,6 V (typiskt för en silikondiod).
5. Reversera sonderna. Om dioden är OK kommer "OL" att visas. Om dioden är kortsluten kommer "0.00" eller ett nummer att visas.
6. Om dioden är öppen visas "OL" i båda riktningar.
7. Hörbar indikation: Mindre än 30 Ω.

Mätning av temperatur (endast ACD 3300 IND) (se Fig. 6)

1. Verifiera att platsen som ska mätas inte har elektrisk energi.
2. Ställ funktionsomkopplaren till °C och område eller °F och område.
3. Skjut reglaget till TEMP-positionen. För in termokopplingskontakten som matchar uttagets bredd.
4. Anslut termokopplingsladdan till testpunkten.
5. Läs av displayen. Om OL visas på displayen är temperaturen för hög för att mätas eller så är termokopplingen öppen.

Obs! Mätsladdarna måste avlägsnas för att flytta glidplattan som tillåter att termokopplingen att föras in.

UNDERHÅLL OCH REPARATION

Om verkar som en felfunktion uppstått under handhavande av mätaren ska följande steg vidtagas för att isolera orsaken till problemet:

1. Kontrollera batteriet.
2. Läs igenom driftsinstruktionerna igen för ev. misstag i driftsproceduren.
3. Inspektera och testa mätsladdarna för bruten eller intermittent anslutning.

Utom när det gäller byte av batteri eller testsonder ska reparationer endast utföras av ett behörigt Servicecenter eller annan behörig personal för att utföra service på instrument. Frontpanelen och höljet kan rengöras med en mild tvällösning. Applicera sparsamt med en mjuk trasa och låt torka helt innan användning. Använd inte aromatiska kolväten eller lösningsmedel med klor för rengöring.

Ersättning av batteri (se Fig. 7)

⚠ Varning

För att undvika el-chock eller skador på mätaren ska mätaren mätsladdar kopplas bort från alla kretsar och mätaren, stäng sedan av mätaren innan batteriluckan avlägsnas. Batteribyte ska utföras i en ren miljö och med lämpliga försiktighetsåtgärder för att undvika föroreningar in mätarens inre komponenter.

1. Avlägsna skruvarna och lyft bort batteriluckan.
2. Ersätt batteriet med ett 9 V-batteri av samma typ.
Notera batteriets polaritet.
3. Sätt tillbaka det bakre höljet och skruvarna.

SPECIFIKATIONER

Allmänt

Display: display med flytande kristaller 3¼ siffror (LCD) (6600 räkn.) med en 66-segments analog stapelgrafik

Polaritet: Automatisk, tyst positiv, indikering negativ polaritet

Utom område: (OL) eller (-OL) visas

Nollställning: Automatisk

Indikering Lågt batteri: "🔋" visas när batterispänningen faller under driftsnivån

Automatisk avstängning: Ungefär 30 minuter

Bakgrundsbelysning: Bakgrundsbelysning automatisk avstängning ca: 60 sek
 Mätfrekvens: 2,8 ggr/s, nominellt
 Analog stapelgrafik: 28 ggr/s
 Driftsmiljö: 0 °C till 50 °C (32 °F till 122 °F) vid < 70 % relativ luftfuktighet
 Förvaringstemperatur: -20 °C till 60 °C (-4°F till 140 °F) vid < 80 % relativ luftfuktighet med batteriet borttaget
 Temperaturkoefficient: 0,1 × (specificerad noggrannhet) per °C (0 °C till 18 °C, 28 °C till 50 °C)
 Omgivning: 2000 m (6561,7 fot), Inomhusanvändning
 Öppningkapacitet klämmor: 57 mm (2,0 tum) ledare
 Effekt: Enkel standard 9-volt batteri, NEDA 1604, JIS 006P, IEC 6F22
 Livslängd batteri: typiskt 75 timmar med zink-kolcell; 150 timmar med alkaliskt
 Dimensioner:
 ACDC-3400 IND: 281 x 108 x 53 mm (11,1 x 4,3 x 2,1 tum)
 ACD-3300 IND: 279 x 103 x 53 mm (11 x 4,1 x 2,1 tum)
 Vikt:
 ACDC-3400 IND: 559 g (1,23 lb.)
 ACD-3300 IND: 500 g (1,10 lb.)
 Säkerhet: LVD uppfyller EN61010-1:2001 och EN61010-2-032:2002, CAT III 1000 V, CAT IV 600 V, klass II och föroreningsgrad 2

CE EMC: EN 61326-1:2006 Denna produkt uppfyller kraven följande EU-direktiv: 2004/108/EC (Elektromagnetisk kompatibilitet) och 2006/95/EC (Lågspänning) efter ändring i 93/68/EEC (CE-märkning). Elektriskt brus eller kraftiga elektromagnetiska fält i närheten kan emellertid störa mätkretsen. Mätinstrumenten kommer även att reagera på oönskade signaler som kan finnas i mätkretsen. Användare bör vara försiktiga och vidtaga lämpliga försiktighetsåtgärder för att undvika missledande resultat vid mätningar i närheten av elektriska störningar.

Elektriskt

Noggrannhet: Uppgiven noggrannhet vid 23 °C ± 5 °C, < 75 % relativ luftfuktighet

DC-VOLT

Områden	Noggrannhet
660,0 mV, 6,600 V, 66,00 V, 660,0 V, 1000 V	± (0,5 % avl + 2 siffror)

Ingångsimpedans: 660 mV: > 100 MΩ; 6,6 V: 10 MΩ; 66 V till 1000 V: 9,1 MΩ

Överbelastningskydd: 1000 VDC eller 750 VAC rms

AC-VOLT TRUE RMS

Områden:	Frekvens	Noggrannhet
660,0 mV	50 till 100 Hz	± (1,5 % avl + 8 siffror)
6,600 V, 66,00 V	50 till 500 Hz	± (1,5 % avl + 8 siffror)
660,0 V, 750 V	50 till 500 Hz	± (1,5 % avl + 8 siffror)
Frekvens **	50 till 1 kHz	± (0,1 % avl + 5 siffror)

Peak Hold:

Områden:	Frekvens	Noggrannhet
66,00 V, 660,0 V, 750 V	50 till 500 Hz	± (3,0 % avl + 200 siffror)

** Frekvens: 10 % till 100 % av spänningsområde

AC kopplad TRMS: 5 % till 100 % av område

Crestfaktor: ≤ 3

Ingångsimpedans: 660 mV: > 100 MΩ; 6,6 V: 10 MΩ; 66 V till 750 V: 9,1 MΩ

Överbelastningskydd: 1000 VDC eller 750 VAC rms

AC-STRÖM TRUE RMS

Områden:	Frekvens	Noggrannhet
66,00 A*	50 till 60 Hz	± (2,0 % avl + 10 siffror)
66,00 A*	61 till 400 Hz	± (3,0 % avl + 10 siffror)
660,0 A	50 till 60 Hz	± (2,0 % avl + 10 siffror)
660,0 A	61 till 400 Hz	± (3,0 % avl + 10 siffror)
1000 A	50 till 60 Hz	± (2,5 % avl + 10 siffror)
1000 A	61 till 400 Hz	± (3,5 % avl + 10 siffror)
Frekvens**	50 till 1 kHz	± (0,1 % avl + 5 siffror)

Peak Hold:

Områden:	Frekvens	Noggrannhet
66,00 A*, 660,0 A, 1000 A	50 till 400 Hz	± (3,0 % avl + 200 siffror)

* endast ACD-3300 IND

** Frekvens: 10 % till 100 % av strömområde

AC kopplad TRMS: 5 % till 100 % av område

Crestfaktor: ≤ 3

Överbelastningskydd: 1000 A AC

DC-STRÖM (endast ACDC-3400 IND)

Område	Noggrannhet
660,0 A	± (2,0 % avl + 5 siffror)
1000 A	± (3,0 % avl + 5 siffror)

Överbelastningskydd: 1000 A DC

MOTSTÅND

Område	Noggrannhet
660,0 Ω , 6,600 k Ω	± (1,0 % avl + 5 siffror)
66,00 k Ω , 660,0 k Ω	
6,600 M Ω :	± (2,0 % avl + 5 siffror)
66,00 M Ω :	± (3,5 % avl + 5 siffror)

Volt i öppen krets: -1,2 Vdc typisk, (-3,5 Vdc i 660 Ω -område)

Överbelastningsskydd: 1000 VDC eller 750 VAC rms

KONDENSATOR

Område	Noggrannhet
6,600 η F, 660 η F	± (3,0 % avl + 20 siffror)
66 η F, 6,600 μ F, 66,00 μ F, 660,0 μ F	± (3,0 % avl + 10 siffror)
6,6 mF	± (5,0 % avl + 10 siffror)

Överbelastningsskydd: 1000 VDC eller 750 VAC rms

TEMPERATUR (endast ACD-3300 IND)

Område	Noggrannhet
0,0 °C till 400,0 °C	± (1,0 % + 1 °C)
-35,0 °C till 0,0 °C, 400 °C till 1000 °C	± (2,0 % + 3 °C)
32,0 °F till 750,0 °F	± (1,0 % + 2 °F)
-30,0 °F till 32,0 °F, 750 °F till 1832 °F	± (2,0 % + 6 °F)

Sensortyp: K-typ termokoppling

Överbelastningsskydd: 30 V Max

DIODTEST

Testström: 0,8 mA (ungefärligt)

Noggrannhet: ± (1,5 % avl + 5 siffror)

Volt i öppen krets: 3,2 Vdc typiskt

Hörbar indikation: < 0,03 V

Överbelastningsskydd: 1000 VDC eller 750 VAC rms

KONTINUITET

Områden: 660,0 Ω

Hörbar indikation: < 30 Ω

Responstid: 500 ms

Överbelastningskydd: 1000 VDC eller 750 VAC rms

FREKVENS (Automatiskt område)

Område	Noggrannhet
66,00 Hz, 660,0 Hz, 6,600 kHz, 66,00 kHz, 660,0 kHz, 1000 MHz	\pm (0,1 % avl + 5 siffror)

Känslighet: 10 Hz till 1 MHz: > 3,5 V rms

Minsta pulsbredd: > 1 μ s

Arbetscykelgränser: >30% och <70%

% DRIFTSCYKEL

Område: 5,0 % till 95,0 %

Upplösning: 0,1 %

Minsta pulsbredd: > 10 μ s

Frekvensområde: 40 Hz till 20 kHz

Noggrannhet (5 V logisk): \pm (2 % avl + 10 siffror)

Överbelastningskydd: 1000 VDC eller 750 VAC rms

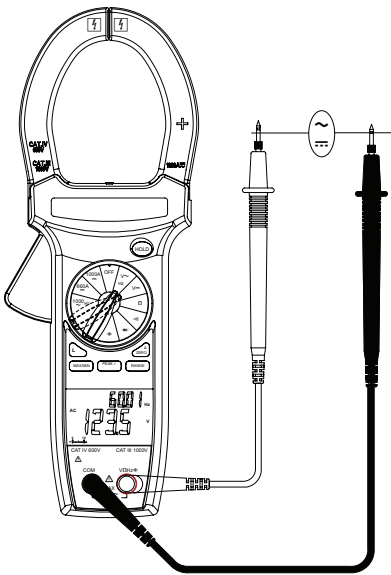


Fig 2. Spänning \ Frekvens \ Driftscykel

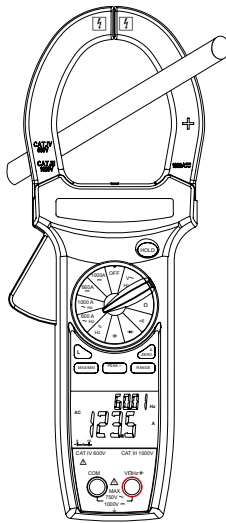


Fig 3. Ström

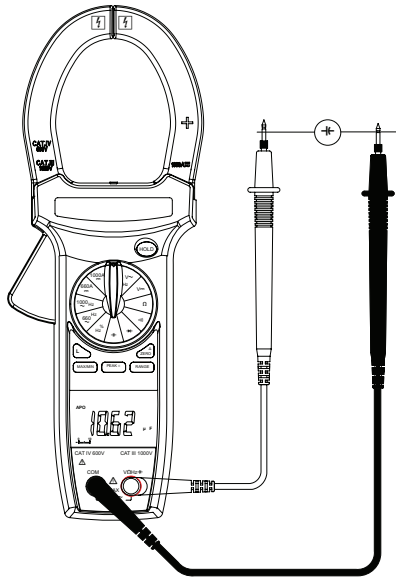


Fig 4. Kapacitans

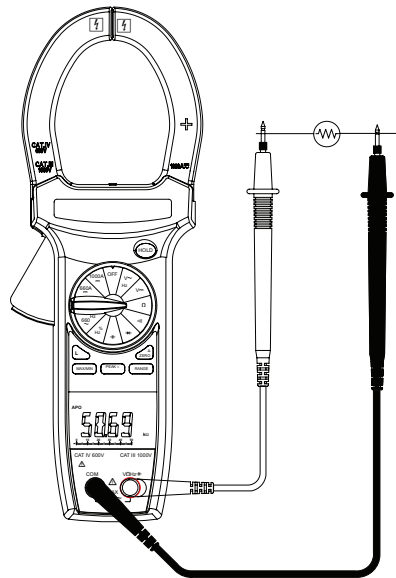


Fig 5. Motstånd \ Kontinuitet \ Diod

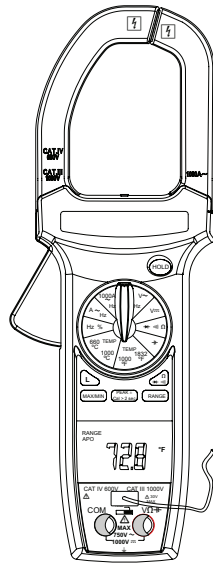


Fig 6. Temperatur (endast ACD-3300 IND)

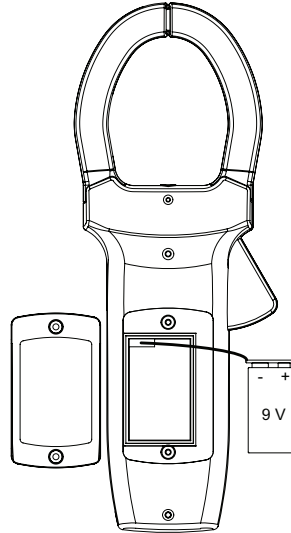


Fig 7. Ersätta batteri

- Catalog
- Application notes
- Product specifications
- User manuals

