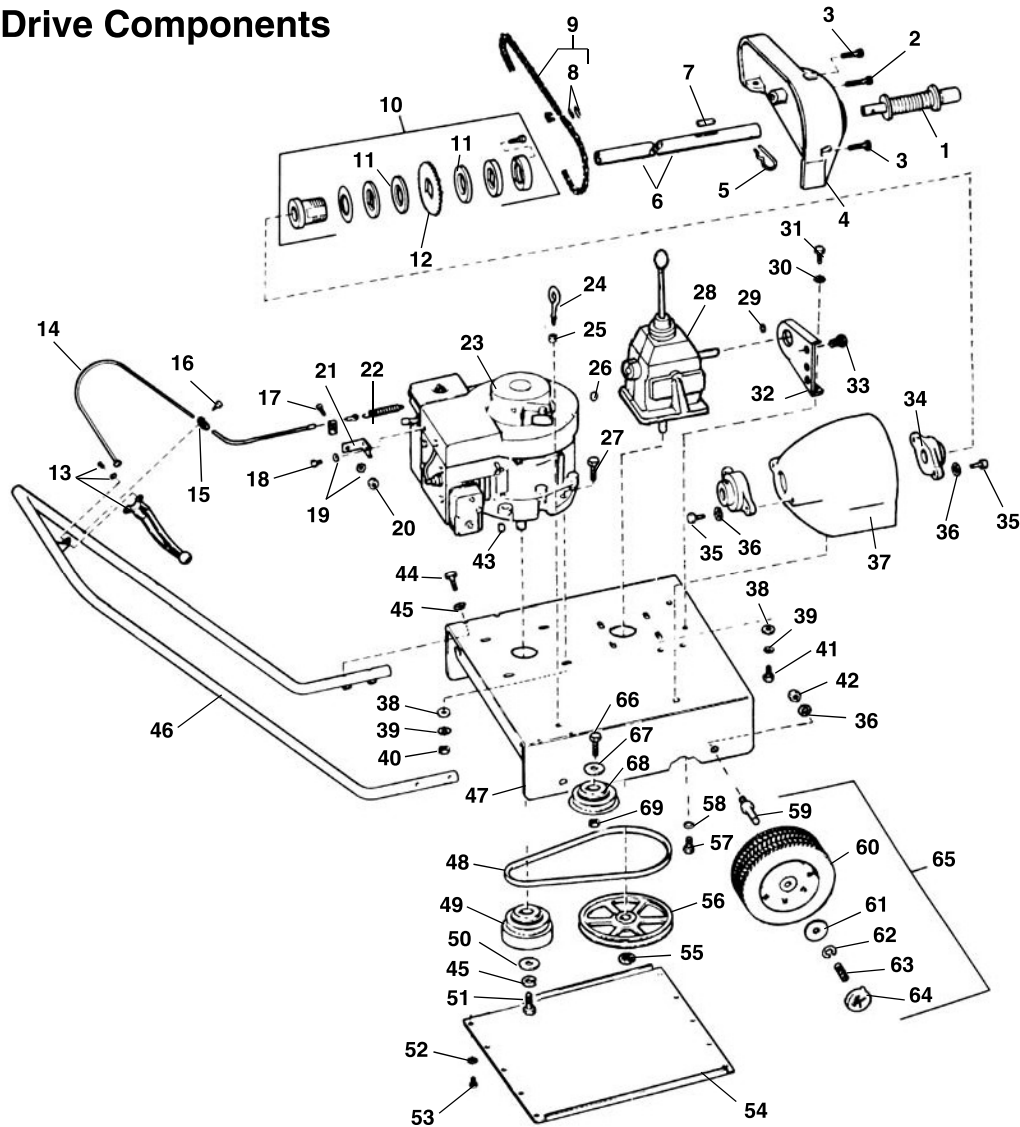


Cart and Drive Components



**NOTE: Order parts by Catalog Number only.
DO NOT order by Reference Number.**

| Ref. No. | Catalog No. | Description | Ref. No. | Catalog No. | Description | Ref. No. | Catalog No. | Description |
|----------|-------------|------------------------------|----------|-------------|--|----------|-------------|--|
| 1 | 62170 | B-3542 Rod Holder | 26 | 63190 | A-3565 Key | 48 | 66972 | "V" Belt |
| 2 | 59915 | A-2192 Screw | 27 | 60515 | A-2531 Hex Head Bolt (4) | 49 | 61380 | A-3563 Centrifugal Clutch |
| 3 | 59920 | A-2193 Screw (2) | 28 | 57697 | Transmission | 50 | 61275 | A-3339 Washer |
| 4 | 62490 | D-3544 Guard | | 61467 | Transmission Kit (Incl. Ref. #32, 41, 48) | 51 | 61435 | A-3577 Hex Head Bolt |
| 5 | 61400 | A-3567 Drive Pin | 29 | 60860 | A-297 Retaining Ring | 52 | 61310 | A-3439 Washer (10) |
| 6 | 62180 | B-3548 Drive Shaft | 30 | 61440 | A-3591 Lock Washer | 53 | 60000 | A-2258 Screw (10) |
| 7 | 61425 | A-3572 Key | 31 | 60265 | A-2441 Screw | 54 | 62175 | B-3547 Cover |
| 8 | 60625 | A-2643 Master Link | 32 | 62425 | Chain Guard | 55 | 62647 | A-505 Retaining Ring |
| 9 | 61405 | A-3568 Chain (Incl. Ref. #8) | 33 | 61110 | A-3247 Self-Tapping Screw (2) | 56 | 61385 | A-3564 Pulley |
| 10 | 61415 | A-3570 Torque Limiter | 34 | 61375 | A-3562 Main Bearing w/Set Screw (2) | 57 | 59785 | A-210 Bolt (4) |
| 11 | 61420 | A-3571 Fiber Disc (2) | | | | 58 | 61450 | A-3593 Lock Washer (4) |
| 12 | 61410 | A-3569 Sprocket | 35 | 60020 | A-2269 Bolt (4) | 59 | 43837 | A-3546 Axle (4) |
| 13 | 61365 | A-3560 Throttle Handle | 36 | 60090 | A-2292 Lock Washer (8) | 60 | 62420 | C-3556 Wheel (4) |
| 14 | 61370 | A-3561 Throttle Cable | 37 | 62485 | D-3543 Body | 61 | 60995 | A-3039 Washer (4) |
| 15 | 61430 | A-3574 Clamp | 38 | 60060 | A-2284 Washer (8) | 62 | 60050 | A-2281 Retaining Ring (4) |
| 16 | 61500 | A-427 Self-Tapping Screw | 39 | 61445 | A-3592 Lock Washer (8) | 63 | 61000 | A-3041 Spring (4) |
| 17 | 79965 | E-1667 Screw | 40 | 60230 | A-2395 Nut (4) | 64 | 59700 | A-1881 Hub Cab (4) |
| 18 | — | *Bolt | 41 | 61462 | A-3251 Hex Head Bolt (4) | 65 | 62430 | C-3611 Wheel Assembly (Incl. Ref. #59-64) |
| 19 | 61310 | A-3439 Washer (2) | 42 | 61455 | A-3612 Nut (4) | — | 84690 | A-4558 Torque Testing Tool (not shown) |
| 20 | 60200 | A-2382 Nut | 43 | 61395 | A-3566 Key | 66 | 23617 | 3/8" - 13 x 2" Carriage Bolt |
| 21 | 61350 | A-3554 Bracket | 44 | 76870 | A-3672 Screw (4) | 67 | 59970 | 3/8" Flat Washer |
| 22 | 59545 | A-132 Spring | 45 | 60085 | A-2290 Lock Washer (5) | 68 | 66962 | Idler Pulley |
| 23 | 66977 | Engine/6HP | 46 | 62415 | C-3552 Handle Assembly | 69 | 43947 | 3/8" Lock Nut |
| 24 | 59225 | A-899 Coupling Pin Key | 47 | 62495 | D-3545 Base | | | |
| 25 | 61460 | A-3613 Grommet | | | | | | |

†Transmission kit includes necessary hardware to convert to new style transmission. *Standard hardware item may be purchased locally.

Transmission

NOTE: Order parts by Catalog Number only. DO NOT order by Reference Number.

| Ref. No. | Catalog No. | Description |
|----------|-------------|---------------------------------------|
| — | 57697 | Transmission |
| 1 | 59585 | Knob |
| 2 | 57617 | Shift Cover |
| 3 | 57682 | Shift Lever |
| 4 | 57667 | Plunger |
| 5 | 57672 | Pin |
| 6 | 60680 | 504 Pin |
| 7 | 57632 | Output Shaft |
| 8 | 61390 | Key (2) |
| 9 | 57662 | Retaining Ring (3) |
| 10 | 57657 | Washer (3) |
| 11 | 57647 | Bushing w/O-Ring (2) |
| 12 | 61277 | O-Ring (3) |
| 13 | 57622 | Bevel Gear (2) |
| 14 | 57642 | Clutch Collar |
| 15 | 60860 | Retaining Ring |
| 16 | 57627 | Pinion Gear |
| 17 | 57652 | Bushing w/O-Ring |
| 18 | 57637 | Input Shaft |
| 19 | 84425 | 1/4" - "20 x 1.25" Soc. Hd. Screw (8) |
| 20 | 44740 | 1/4" Lock Washer (8) |
| 21 | 57612 | Housing Assembly (Includes 19, 20) |
| 22 | 62427 | 8T Sprocket |

