



165lb and 440lb models available with large platform



The OHAUS SD Shipping Scale – Portability, Durability, Quality and Value

The OHAUS SD is a robust portable bench scale designed specifically with affordability, utility and everyday usage in mind. Ideal for home office, mail room, shipping and receiving, and general commercial and industrial weighing applications, the model SD features durable painted steel treaded and non-treaded platforms, a remote indicator with two tactile function keys, battery operation and flexible mounting capabilities. The OHAUS model SD is your efficient solution to a variety of weighing needs, when you need it, where you need it.

Standard Features Include:

- Modes for weighing, WeighAlert™ and dynamic weighing. WeighAlert mode flashes weight display when weight on platform is above 70 lb -- the USPS shipping limit -- but under 150 lb -- when a package requires less-than-truckload shipment
- 3 popular capacity models: 77lb/35kg, 165lb/75kg, 440lb/200kg
- 2 platform sizes: 12.4 x 11 inches and 20.5 x 15.7 inches
- Maximum displayed resolutions from 1:1,750 to 1:2,200
- ABS plastic indicator housing with reinforced ribs
- Universal table/wall mounting brackets included
- Flexible coiled cable, extendable to 108 inches
- Painted steel platforms with raised embossed treads (SD35, SD75 and SD200 models)
- Rubber feet (adjustable on SD75L and SD200L models)
- LCD with fast weight display in lb or kg
- AC adapter (included) or 360 hour battery operation with Auto-Shut Off feature

SD Series Shipping Scale

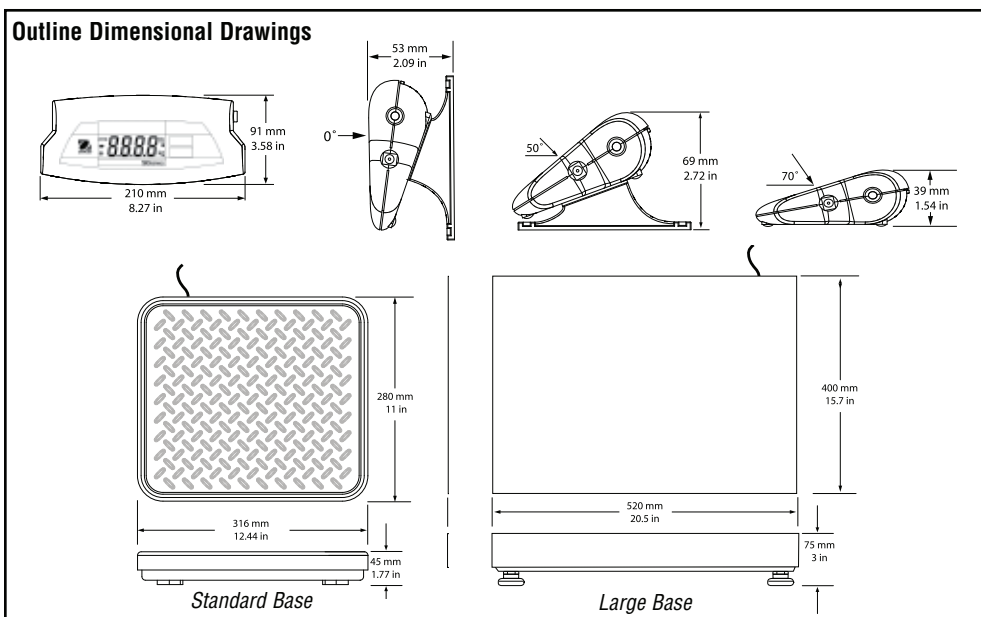
Specifications

| Model | SD35 | SD75 | SD200 | SD75L | SD200L |
|---------------------------------|--|--------------------------------|--------------------------------|--|--------------------------------|
| Capacity x Readability | 77lb x 0.05lb 35kg x 0.02kg | 165lb x 0.1lb 75kg x 0.05kg | 440lb x 0.2lb 200kg x 0.1kg | 165lb x 0.1lb 75kg x 0.05kg | 440lb x 0.2lb 200kg x 0.1kg |
| Maximum Displayed Resolution | 1:1750 | 1:1650 | 1:2200 | 1:1650 | 1:2200 |
| Calibration Weights (fixed)* | 50lb / 25kg | 100lb / 50kg | 200lb / 100kg | 100lb / 50kg | 200lb / 100kg |
| Base Size | 12.4"L x 11"W x 1.77"H / 316L x 280W x 45H mm | | | 20.5"L x 15.7"W x 3"H / 520L x 400W x 75H mm | |
| Construction | ABS plastic indicator housing and mounting brackets Painted steel base with raised, embossed tread pan (non-L models) Rubber feet (adjustable on L models) | | | | |
| Weighing Units | kg, lb | | | | |
| Application Modes | Weigh, dynamic weighing, WeightAlert™ (only available in lb mode) | | | | |
| Display | 4-digit, 7-segment LCD, 0.8" / 20mm high, | | | | |
| Keyboard | 2 function raised tactile mechanical switches: [ON/OFF Zero] / [UNITS Cal] | | | | |
| Stabilization Time | ≤ 3 seconds | | | | |
| Cable Length | Extendable 72" to 108" / 1.8m to 2.7m (full extension) | | | | |
| Operating Temperature | 41° to 104°F / 5° to 40°C / 10%-80% relative humidity, non-condensing | | | | |
| Power | 9V DC/100mA AC Adapter (included), or 3 "C" alkaline batteries (not included) | | | | |
| Battery Operating Time | 360 hours | | | | |
| Auto-Shut Off | 4 minutes with no activity (battery operation only) | | | | |
| Safe Overload Capacity | 150% of capacity | | | | |
| Indicator Size (L x W x H) | 8.27 x 3.58 x 1.54 in / 210 x 91 x 39 mm | | | | |
| Shipping Dimensions (L x W x H) | 15 x 3.94 x 18.3 in / 380 x 100 x 465 mm | | | 24 x 19 x 9 in / 600 x 480 x 230 mm | |
| Net Weight | 5.8 lb / 2.6kg | 7.3lb / 3.3kg | | 31lb / 14kg | |
| Shipping Weight | 8.1lb / 3.7kg | 9.5lb / 4.3kg | | 36lb / 16kg | |
| Other Features | Calibrate in kg or lb, calibration lock via internal switch | | | | |

*Calibration weights not included

Compliance

- **Safety and EMC:** UL/CSA (adapter), FCC, CE Safety EN60950, EMC EN61326
- **Quality:** OHAUS quality management system registered to ISO 9001:2008



80774281_E © Copyright Ohaus Corporation

