



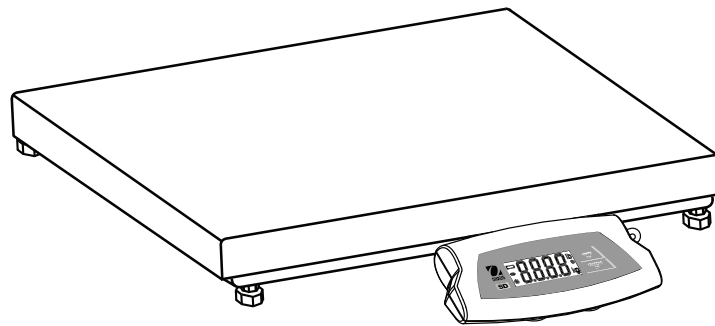
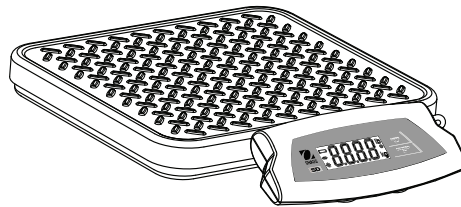
**SD Series Bench Scale**

**Báscula de mesa de la serie SD**

**Balance de table Série SD**

**Tischwaage der SD-Serie**

**Bilancia da banco serie SD**





This product conforms to the EMC Directive 89/336/EEC and the Low Voltage Directive 73/23/EEC.

The complete Declaration of Conformity is available from Ohaus Corporation.

Este producto está en conformidad con la Directriz EMC 89/336/EEC y con la Directriz para Bajo Voltaje 73/23/EEC.

La Declaración de Conformidad completa está disponible a través de Ohaus Corporation.

Ce produit est conforme à la directive EMC 89/336/EEC et à la directive de basse tension 73/23/EEC.

Vous pouvez obtenir une déclaration complète de la conformité auprès de Ohaus Corporation.

Dieses Produkt entspricht der EMC-Richtlinie 89/336/EEC und der Niederspannungsrichtlinie 73/23/EEC.

Die vollständige Konformitätserklärung ist bei der Ohaus Corporation erhältlich.

Questo prodotto è conforme alla direttiva EMC 89/336/CEE e alla Direttiva Bassa Tensione 73/23/CEE.

La dichiarazione di conformità completa è disponibile presso gli uffici della Ohaus Corporation.

### Disposal

In conformance with the European Directive 2002/96 EC on Waste Electrical and Electronic Equipment (WEEE) this device may not be disposed of in domestic waste. This also applies to countries outside the EU, per their specific requirements.



Please dispose of this product in accordance with local regulations at the collecting point specified for electrical and electronic equipment.

If you have any questions, please contact the responsible authority or the distributor from which you purchased this device.

Should this device be passed on to other parties (for private or professional use), the content of this regulation must also be related.

Thank you for your contribution to environmental protection.

### Eliminación de residuos

De conformidad con las exigencias de la directiva europea 2002/96 CE sobre residuos de aparatos eléctricos y electrónicos (RAEE), este equipo no puede eliminarse como basura doméstica. Esta prohibición es asimismo válida para los países que no pertenecen a la UE cuyas normativas nacionales en vigor así lo reflejan.



Elimine este producto, según las disposiciones locales, mediante el sistema de recogida selectiva de aparatos eléctricos y electrónicos.

Si tiene alguna pregunta al respecto, diríjase a las autoridades responsables o al distribuidor que le proporcionó el equipo.

Si transfiere este equipo (por ejemplo, para la continuación de su uso con fines privados, comerciales o industriales), deberá transferir con él esta disposición. Muchas gracias por su contribución a la conservación medioambiental.

### Elimination

En conformité avec les exigences de la directive européenne 2002/96 CE relative aux déchets d'équipements électriques et électroniques (DEEE), cet appareil ne doit pas être éliminé avec les déchets ménagers. Logiquement, ceci est aussi valable pour les pays en dehors de l'UE conformément aux réglementations nationales en vigueur.



Veillez éliminer cet appareil conformément aux prescriptions locales dans un conteneur séparé pour appareils électriques et électroniques.

Pour toute question, adressez-vous aux autorités compétentes ou au revendeur chez qui vous avez acheté cet appareil.

En cas de remise de cet appareil (p. ex. pour une utilisation privée ou artisanale/industrielle), cette prescription doit être transmise en substance.

Merci pour votre contribution à la protection de l'environnement.

### Entsorgung

In Übereinstimmung mit den Anforderungen der Europäischen Richtlinie 2002/96 EG über Elektro- und Elektronik-Altgeräte (WEEE) darf dieses Gerät nicht mit dem Hausmüll entsorgt werden. Sinngemäss gilt dies auch für Länder ausserhalb der EU entsprechend den geltenden nationalen Regelungen.



Bitte entsorgen Sie dieses Produkt gemäss den örtlichen Bestimmungen in einer getrennten Sammlung für Elektro- und Elektronikgeräte.

Bei allfälligen Fragen wenden Sie sich bitte an die zuständige Behörde oder den Händler, bei dem Sie dieses Gerät erworben haben.

Bei Weitergabe dieses Gerätes (z.B. für private oder gewerbliche/industrielle Weiternutzung) ist diese Bestimmung sinngemäss weiterzugeben.

Vielen Dank für Ihren Beitrag zum Schutz der Umwelt.

### Smaltimento

In conformità a quanto stabilito dalla Direttiva Europea 2002/96 CE in materia di apparecchi elettrici ed elettronici (RAEE), questo strumento non può essere smaltito come i normali rifiuti. Tale presupposto resta valido anche per i Paesi al di fuori dei confini della UE, conformemente alle norme nazionali in vigore.



Si prega quindi di smaltire questo prodotto separatamente e in modo specifico secondo le disposizioni locali relative alle apparecchiature elettriche ed elettroniche.

Per qualsiasi chiarimento, rivolgersi agli enti preposti o al rivenditore dell'apparecchiatura stessa.

In caso di cessione dello strumento (per es. per ulteriore utilizzo privato o aziendale/industriale), si prega di comunicare anche questa disposizione.

Si ringrazia per il contributo alla tutela dell'ambiente.

**FCC Note**

This equipment has been tested and found to comply with the limits for a Class B digital device, pursuant to Part 15 of the FCC Rules. These limits are designed to provide reasonable protection against harmful interference in a residential installation. This equipment generates, uses and can radiate radio frequency energy and, if not installed and used in accordance with the instructions, may cause harmful interference to radio communications. However, there is no guarantee that interference will not occur in a particular installation. If this equipment does cause harmful interference to radio or television reception, which can be determined by turning the equipment off and on, the user is encouraged to try to correct the interference by one or more of the following measures:

- Reorient or relocate the receiving antenna.
- Increase the separation between the equipment and receiver.
- Connect the equipment into an outlet on a circuit different from that to which the receiver is connected.
- Consult the dealer or an experienced radio/TV technician for help

**Industry Canada Note**

This Class B digital apparatus complies with Canadian ICES-003.  
Cet appareil numérique de la classe A est conforme à la norme NMB-003 du Canada.



**EMC Australia / New Zealand: AS/NZS4251.1, AS/NZS4252.1**

**ISO 9001 Registration**

In 1994, Ohaus Corporation, USA, was awarded a certificate of registration to ISO 9001 by Bureau Veritas Quality International (BVQI), confirming that the Ohaus quality management system is compliant with the ISO 9001 standard's requirements. On May 15, 2003, Ohaus Corporation, USA, was re-registered to the ISO 9001:2000 standard.

**Registro ISO 9001**

En 1994, Bureau Veritas Quality International (BVQI) le otorgó a Ohaus Corporation, EE.UU., un certificado de registro ISO 9001 el cual confirma que el sistema administrativo de calidad de Ohaus cumple con los requerimientos del estándar ISO 9001. En mayo 15 del 2003, Ohaus Corporation, EE.UU., fue registrada nuevamente al estándar ISO 9001:2000.

**Enregistrement ISO 9001**

En 1994, le Bureau Veritas Quality International (BVQI) a octroyé la certification d'enregistrement ISO 9001 à Ohaus Corporation, États-Unis d'Amérique, confirmant que le système de gestion de la qualité Ohaus était conforme aux conditions normalisées de l'ISO 9001. Le 15 mai 2003, Ohaus Corporation, États-Unis d'Amérique, a été ré-enregistrée à la norme ISO 9001:2000.

**Registrierung nach ISO 9001**

Im Jahr 1994 wurde der Ohaus Corporation, USA, ein Zertifikat der Registrierung nach ISO 9001 vom Bureau Veritas Quality International (BVQI) verliehen, in dem bestätigt wird, dass das Ohaus-Qualitätsmanagementsystem den Anforderungen der Norm ISO 9001 entspricht. Am 15. Mai 2003 wurde die Ohaus Corporation, USA, gemäß der Norm ISO 9001:2000 neu registriert.

**Registrazione ISO 9001**

Nel 1994, Ohaus Corporation, USA, ha ricevuto il certificato di registrazione ISO 9001 da Bureau Veritas Quality International (BVQI), come conferma che il sistema di gestione della qualità Ohaus risponde alle caratteristiche standard di ISO 9001. Il 15 Maggio 2003, Ohaus Corporation, USA, è stata reregistrata per la normativa ISO 9001:2000.

## **Ohaus SD Series Bench Scale**

### **INSTRUCTION MANUAL**

- The contents of this manual applies to all models of the SD Series Bench Scale.
- Calibration weights are not provided with this product.
- For best results, use the product within the specified operating temperature range.
- For best accuracy, perform your measurements in a clean environment, free of electrostatic and magnetic fields, dust and dirt, moisture, vibration and air currents.
- Use your SD Series Bench Scale with care, gently loading items to be weighed on the center of the platform. Avoiding rough treatment will aid in extending the life of your Scale.

## Introduction

This manual covers operation for the Ohaus SD Series Bench Scales.

## Unpacking

SD Series Bench Scale is shipped with the following components:

- Indicator
- Scale Base
- Mounting Brackets
- AC Power Adapter
- This Instruction Manual
- Warranty Card

## Leveling Scale Platform

The Scale Base should be placed on a level, stable surface before operation.

Models SD75L and SD200L are equipped with adjustable leveling feet. Adjust the four leveling feet under the platform to level it.

## Power Options

### AC Adapter Operation

- The AC Adapter (included) may be used to power the system when battery power is not available.
- Check that the AC input power as marked on the Adapter matches the available power source.
- Connect the round plug of the AC Adapter to the power input jack at the side of the Indicator housing. See Figure 1.
- Plug the AC Adapter into an AC power outlet.

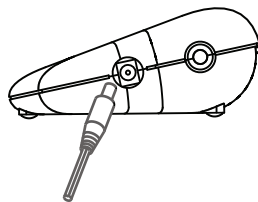


Figure 1. Connecting Adapter Plug to Indicator.

### Battery Installation (Optional)

- Open the battery cover on the bottom of the Indicator and install three “C” size (LR14) alkaline batteries into the compartment. Orient the batteries as shown on the inside cover. Close the battery cover.

**NOTE:** Batteries are not included.

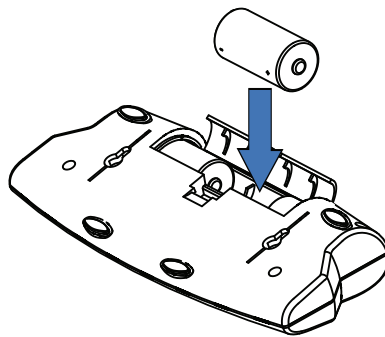


Figure 2. Battery Installation.



**CAUTION: Do not dispose of used batteries in domestic waste. Follow the proper disposal or recycling requirements in accordance with local laws and regulations.**

### Indicator Mounting and Placement Options

- **Table Top Placement:**

The Indicator may be placed on a flat table surface without additional hardware. Four rubber feet provide reduced slippage on most surfaces.

- **Direct Wall Mounting:**

The Indicator may be mounted directly to a wall using two screws (not included). Select appropriate size screws that fit into the holes at the bottom of the Indicator housing. See Figure 3. When mounting to a wall without a solid backing, use appropriate anchoring hardware.

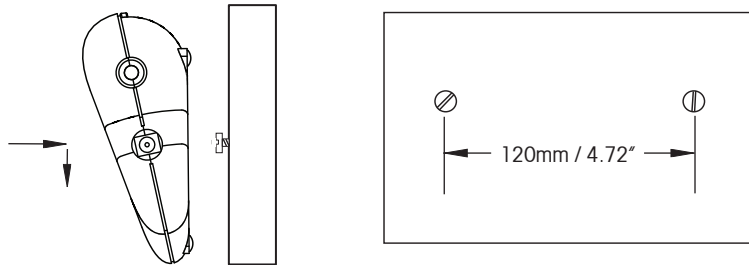


Figure 3. Direct Wall Mount Arrangement.

• **Bracket Wall Mounting/Table Mounting:**

Attach the two mounting brackets as shown in Figure 4. Position the Indicator where desired on the wall or table. Install 2 screws (not supplied) into the ends of each bracket to secure them to the surface. When mounting to a wall without solid backing, use appropriate anchoring hardware.

**MOUNTING NOTES:**

1. When attaching brackets: Insert round pins into holes at bottom of Indicator, slide each bracket back to lock in place.
2. Mounting brackets may be attached in two different orientations to provide optimum viewing angle.
3. Some mounting positions may require that the brackets be attached to the work surface before being attached to the indicator.

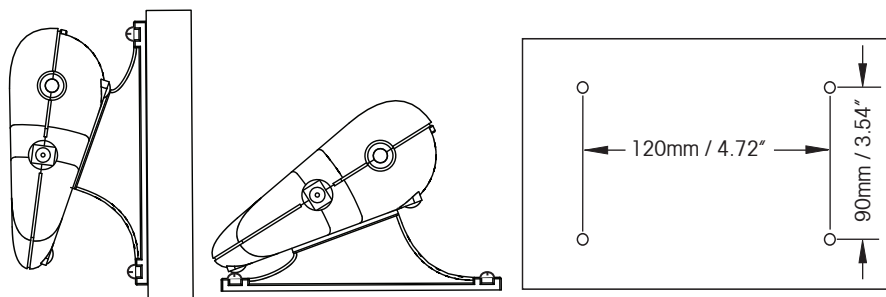


Figure 4. Bracket Wall & Table Mount Arrangements.

## Product Features & Operation




Figure 5. Indicator Panel Controls.

### Two Button Keypad

- **ON/ZERO Off:** A short press turns on the scale when it is off. When the scale is on, a short press zeroes the scale, and a long press turns the scale off.
- **UNITS Cal:** A short press changes the weighing unit and weighing mode. A short press initiates countdown during Dynamic Weighing Mode. A long press initiates the calibration process.

### Display Window

- **Large 7-Segment Numeric Characters:** Weight (mass) values are shown using 4 digits including negative sign and decimal places. Prompts for calibration and possible error conditions are also shown using these digits.
- **Stable Reading Indication:** A \* will appear in the lower left corner of the display to indicate when the reading is stable.
- **Weighing Unit Indication:** The weighing unit selected appears on the right side of the display.
- **Dynamic Weighing Mode Indication:** A • will flash next to the selected unit during this mode.

- **Low Battery Indication:** The battery symbol on the left side of the display  indicates a low battery condition. When first displayed, approximately 12 hours of operation remain. When the battery is fully depleted, the scale will momentarily display "Lo bAt" and shut off.

### Operation

- **Power Up Test:** When the **ON/ZERO Off** button is pressed, the scale is turned on, all display segments will appear for a short time, followed by the software version. The display will then reset to zero.
- **Zero Function:** By pressing the **ON/ZERO Off** button, the scale display returns to zero. When adding additional mass, the **ON/ZERO Off** button may be used repeatedly until the full capacity of the scale is reached. When a container is used, the **ON/ZERO Off** button may be used to simulate a Tare function. Additional mass may then be added as a NET weight. When removing both the sample and container from the scale, a negative value may be displayed. Zero the scale again before subsequent usage.

**NOTE:** The **ON/ZERO Off** button will perform a true zero setting function when displayed values are within  $\pm 2\%$  of full capacity. Above 2%, the range is limited to full capacity by subtraction.

- **Negative Values:** When a load is removed from the scale, any previously zeroed value will be displayed as a negative number. To return to normal operation, the negative value is cleared from the display by pressing the **ON/ZERO Off** button.
- **Overload:** If the applied load exceeds the capacity of the scale, an "E" is displayed. Remove the load and the scale will return to normal operation.

- **Auto Shut-Off:** To extend battery life, the scale will automatically turn off after approximately four minutes of inactivity. This feature is only active during battery operation.

### Dynamic Weighing

1. With platform empty, press the **UNITS Cal** button until the indicator • flashes next to the desired measuring unit.



2. Place a mass on the platform. The scale will show "-A-".  
**NOTE:** If using a container, press **ON/ZERO Off** to tare the weight and return to zero.



3. With a mass on the platform or container, a short press of **UNITS Cal** will start the averaging countdown from 5 seconds.



4. The averaged weight is then displayed. The indicator • stops flashing when the process is complete.



5. The display will hold until a button is pressed.
6. To repeat the process press **UNITS Cal** with a mass on the platform or container.
7. To Exit, remove the mass from the platform or container and press **UNITS Cal**.

### Calibration

For best results, calibrate the scale at regular intervals. (Calibration weights are not supplied with the scale.)

#### CAUTION



**USE EXTREME CARE WHEN HANDLING CALIBRATION WEIGHTS AS THEY ARE VERY HEAVY. IMPROPER LIFTING METHODS OR MISUSE OF CALIBRATION WEIGHTS MAY RESULT IN PERSONAL INJURY. MULTIPLE WEIGHTS MAY BE USED TO EQUAL THE REQUIRED CALIBRATION WEIGHT.**

1. Allow the scale to warm up and stabilize for a least two minutes before commencing the calibration procedure.
2. To select the weighing unit to be used for calibration, press the **UNITS Cal** button until the correct unit is displayed.

**NOTE:** The calibration process can be stopped at any time by pressing the **UNITS Cal** button or by turning the scale off. The correct span calibration weights will need to be available before starting the calibration (see specification table). Calibration is unavailable in Dynamic Weighing Mode.

3. Press and hold the **UNITS Cal** button until "CAL" is displayed.



4. With the platform empty, press the **ON/ZERO Off** button to capture the scale zero. The display will show "-C-"



5. After the zero is captured, the required span calibration weight in the selected unit is displayed.



6. Place the calibration weight on the platform and press **ON/ZERO Off** button. The display will again show “-C-”.



7. After span capture, the display will return to the normal weighing mode.



**NOTE:** The message “CAL E” will appear if an incorrect calibration weight was applied. Repeat the procedure using the correct calibration weight.

**Calibration Locking:** By use of an internal switch, the calibration function may be locked (disabled), and unauthorized recalibration prevented.

1. With the scale powered off, remove the back housing section of the indicator by unscrewing the four screws at the bottom.
2. Slide the switch on the PCB (marked SW3) to the position marked “CAL LOCK”.
3. Reassemble the housing.
4. If required, place tamper evident sealing labels over the screw holes or over the housing edges.

If later recalibration is required, the housing will need to be reopened and the lock switch returned to the original position.

**NOTE:** When the lock switch is set to the CAL LOCK position, the power-on zero range is reduced to 10% of full capacity.

EN-10 SD SERIES BENCH SCALE

**Specifications (Standard Base Models)**

<b>Model</b>	<b>SD35</b>	<b>SD75</b>	<b>SD200</b>
Capacity x Readability	35 x 0.02kg 77 x 0.05lb	75 x 0.05kg 165 x 0.1lb	200 x 0.1kg 440 x 0.2lb
Weighing Units	kg, lb		
Modes	Simple Weighing, Dynamic Weighing		
Calibration Weights	25kg/50lb	50kg/100lb	100kg/200lb
Stabilization Time	Within 3 seconds		
Zero Range	To capacity by subtraction		
Maximum Overload	150%		
Error Indications:	<ul style="list-style-type: none"> <li>"E" - Over load, Under load, Power on Over/Under load</li> <li>"CALE" - Calibration Error</li> <li>"UnSt" - Unstable at Power on</li> <li>"ErrE" - Memory Error</li> <li>"Lo bat OFF" - Low battery shut down</li> <li>"Lo Line OFF" - Low line voltage shut down (Power Adapter)</li> </ul>		
Underload Indication	Negative value		
Auto Shut-Off	4 minutes no activity (battery operation only)		
Battery Operating Time	360 hours		
Operating Temperature Range	41° to 104° F / 5° to 40°C at 10% to 80% relative humidity, non-condensing		
Cable Length	1.8m / 72" (uncoiled)		
Display	4 Digit, LCD, 0.8"/20mm high		
Scale Base Size	316mm L x 280mm W x 45mm H / 12.4" x L x 11" W x 1.77" H		
Indicator Size	210mm L x 91mm W x 39mm H / 8.27" L x 3.58" W x 1.54" H		
Battery power requirements	3 °C Alkaline batteries (LR14)		
AC Adapter	9-12 Volt DC, 100mA		
Net Weight	2.6kg / 5.8lb	3.3kg / 7.3lb	
Shipping Weight	3.7kg / 8.1lb	4.3kg / 9.5lb	
Shipping Carton Size	380mm L x 100mm W x 465mm H / 15" L x 3.94" W x 18.3" H		

**Specifications (Large Base Models)**

<b>Model</b>	<b>SD75L</b>	<b>SD200L</b>
Capacity x Readability	75 x 0.05kg 165 x 0.1lb	200 x 0.1kg 440 x 0.2lb
Weighing Units	kg, lb	
Modes	Simple Weighing, Dynamic Weighing	
Calibration Weights	50kg/100lb	100kg/200lb
Stabilization Time	Within 3 seconds	
Zero Range	To capacity by subtraction	
Maximum Overload	150%	
Error Indications:	<ul style="list-style-type: none"> <li>"E" - Over load, Under load, Power on Over/Under load</li> <li>"CALE" - Calibration Error</li> <li>"UnSt" - Unstable at Power on</li> <li>"ErrE" - Memory Error</li> <li>"Lo bat OFF" - Low battery shut down</li> <li>"Lo Line OFF" - Low line voltage shut down (Power Adapter)</li> </ul>	
Underload Indication	Negative value	
Auto Shut-Off	4 minutes no activity (battery operation only)	
Battery Operating Time	360 hours	
Operating Temperature Range	41° to 104° F / 5° to 40°C at 10% to 80% relative humidity, non-condensing	
Cable Length	1.8m / 72" (uncoiled)	
Display	4 Digit, LCD, 0.8"/20mm high	
Scale Base Size	520mm L x 400 mm W x 75 mm H / 20.5" L x 15.7" W x 3" H	
Indicator Size	210mm L x 91mm W x 39mm H / 8.27" L x 3.58" W x 1.54" H	
Battery power requirements	3 °C Alkaline batteries (LR14)	
AC Adapter	9-12 Volt DC, 100mA	
Net Weight	14kg / 31lb	
Shipping Weight	15.5kg / 34lb	
Shipping Carton Size	600mm L x 480mm W x 230mm H / 24" L x 19" W x 9" H	

EN-12 SD SERIES BENCH SCALE

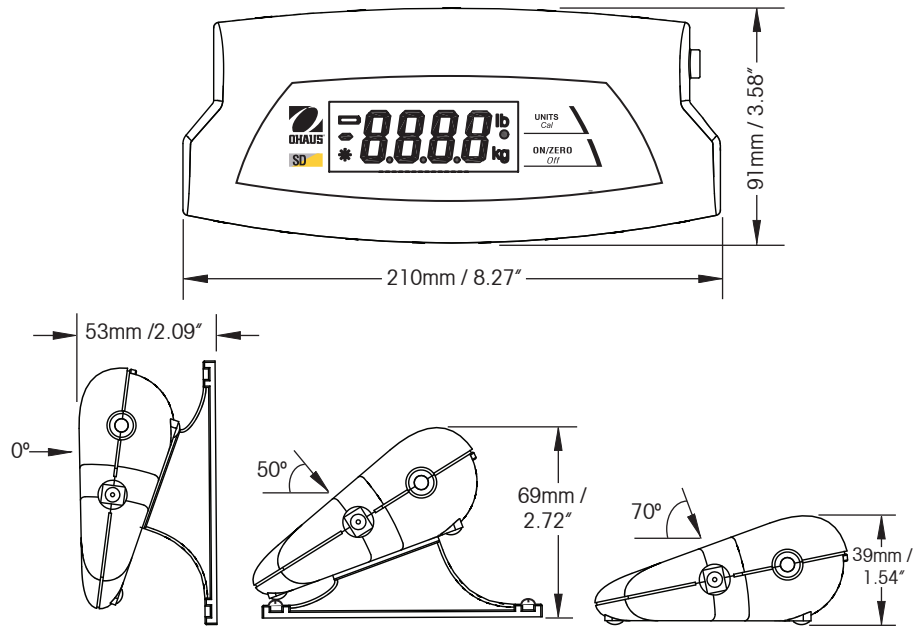


Figure 5. Indicator Overall Dimensions, Available Viewing Angles.

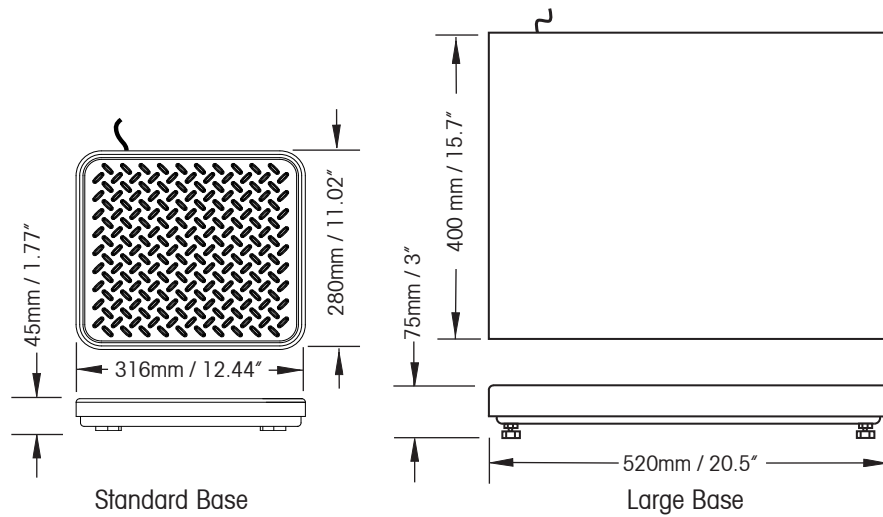


Figure 6. Scale Base Overall Dimensions.

### **LIMITED WARRANTY**

Ohaus products are warranted against defects in materials and workmanship for duration of the warranty. During the warranty period Ohaus will repair, or, at its option, replace any components) that proves to be defective at no charge, provided that the product is returned, freight prepaid, to Ohaus. This warranty does not apply if the product has been damaged by accident or misuse, exposed to radioactive or corrosive materials, has foreign material penetrating to the inside of the product, or as a result of service or modification by other than Ohaus. In lieu of product registration, the warranty period shall begin on the date of shipment to the authorized dealer. No other express or implied warranty is given by Ohaus Corporation. Ohaus Corporation shall not be liable for any consequential damages. As warranty legislation differs from state to state and country to country, please contact Ohaus or your local Ohaus dealer for further details.

## **Báscula de mesa de la serie SD de Ohaus**

### **MANUAL DE INSTRUCCIONES**

- El contenido de este manual aplica para todos los modelos de básculas de mesa de la Serie SD.
- Los pesos de calibración no son suministrados con este producto.
- Para mejores resultados, utilice el producto dentro del rango de temperatura operativa especificado.
- Para una mejor exactitud, realice sus mediciones en un ambiente limpio, libre de campos electrostáticos y magnéticos, polvo, contaminación, humedad, vibraciones y corrientes de aire.
- Utilice su báscula de mesa de la Serie SD con cuidado, colocando suavemente los artículos a ser pesados en el centro de la plataforma. Evitar brusquedades ayudará a extender la vida de su báscula.

## Introducción

Este manual cubre la operación de las básculas de mesa de la Serie SD de Ohaus.

## Desembalaje

La báscula de mesa de la Serie SD es enviada con los siguientes componentes:

- Indicador
- Adaptador de corriente CA
- Base de la báscula
- Este manual de instrucciones
- Soportes de montaje
- Tarjeta de garantía

## Nivelación de la plataforma de la báscula

La base de la báscula debe estar colocada sobre una superficie nivelada y estable antes de operarla. Los modelos SD75L y SD200L sea equipés de pieds ajustables. Ajuste las cuatro patas niveladoras bajo la plataforma para nivelarla.

## Opciones de corriente

### Operación con el adaptador CA

- El adaptador de corriente alterna (incluido) puede ser utilizado para suministrar corriente al sistema cuando la corriente de baterías no esté disponible.
- Revise que la corriente alterna entrante señalada en el adaptador coincida con la fuente de corriente disponible.
- Conecte el enchufe redondo del adaptador de corriente alterna a la toma de entrada de corriente al lado de la caja del indicador. Vea la Figura 1.
- Conecte el adaptador de corriente alterna en un enchufe de corriente alterna.

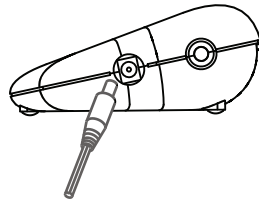


Figura 1. Conexión del enchufe del adaptador al indicador.

### Instalación de baterías (Opcional)

- Abra la cubierta de baterías en la parte inferior del indicador e instale tres baterías alcalinas de tamaño "C" (LR14) dentro del compartimiento. Oriente las baterías como se muestra en la parte interna de la cubierta. Cierre la cubierta de baterías.

**NOTA:** Las baterías no están incluidas.

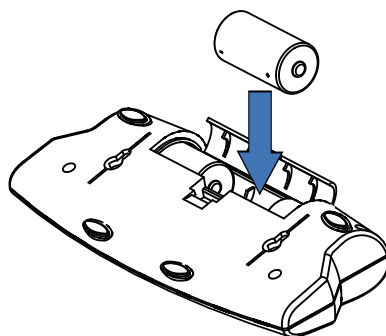


Figura 2. Instalación de baterías.



**PRECAUCIÓN:** no desechar las baterías con la basura del domestic. Siga los requerimientos de desecho y reciclaje de acuerdo a las leyes y normas locales.

### Montaje del indicador y opciones de la colocación

- **Colocación De la Tapa De Tabla:**

El indicador puede colocarse sobre la superficie plana de una mesa sin ningún aditamento adicional. Cuatro patas de caucho evitan que resbale en la mayoría de las superficies.

- **Montaje directo en una pared:**

El indicador puede montarse directamente en una pared utilizando dos tornillos (no incluidos). Seleccione tornillos del tamaño apropiado que quepan en los hoyos en la parte inferior de la caja del indicador. Vea la Figura 3. Cuando monte el indicador en la pared sin un apoyo sólido, utilice los aditamentos de anclaje apropiados.

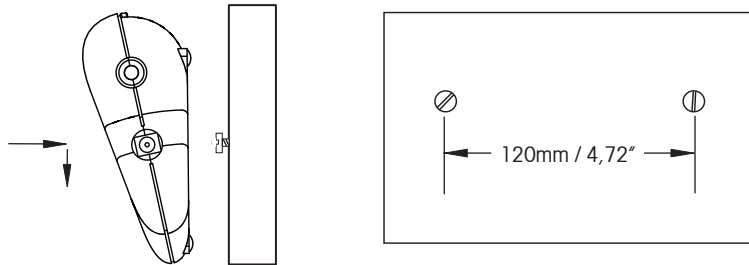


Figura 3. Configuración para el montaje directo en la pared.

• **Soporte de montaje en pared y montaje en mesa:**

Fije los dos soportes de montaje como se muestra en la Figura 4. Ubique el indicador donde desee, en la pared o sobre la mesa. Instale dos tornillos (no incluidos) en los extremos de cada soporte para asegurarlos a la superficie. Cuando monte el indicador en la pared sin un apoyo sólido, utilice los aditamentos de anclaje apropiados.

**NOTAS DE MONTAJE:**

1. Cuando fije los soportes: Introduzca los pasadores redondos en los hoyos en la parte inferior del indicador y deslice cada soporte para asegurarlo.
2. Los soportes de montaje pueden fijarse en dos orientaciones diferentes para proporcionar un ángulo de visión óptimo.
3. Algunas posiciones de montaje pueden requerir que los soportes se fijen a la superficie de trabajo antes de fijar el indicador.

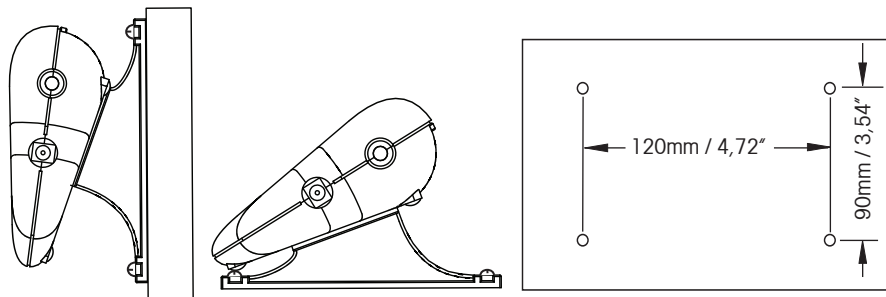


Figura 4. Configuraciones del soporte en pared y del montaje en mesa.

## Características y operación del producto



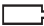
Figura 5. Controles del panel del indicador.

### Teclado con dos botones

- **ON/ZERO Off** : Una presión breve enciende la báscula cuando está apagada. Cuando la báscula está encendida, una presión breve pone la báscula en ceros y una presión prolongada la apaga.
- **UNITS Cal** : Una presión breve cambia la unidad de pesaje. Una presión prolongada inicia el proceso de calibración.

### Ventana de visualización

- **Caracteres numéricos grandes de 7 segmentos**: Los valores de peso (masa) son mostrados utilizando cuatro dígitos incluyendo el signo negativo y los lugares decimales. Los avisos para calibración y condiciones posibles de error también se muestran utilizando estos dígitos.
- **Indicación de lectura estable**: En la esquina inferior izquierda de la pantalla aparecerá un \* para indicar que la lectura es estable.
- **Indicación de unidad de pesaje**: La unidad de pesaje seleccionada aparece en el lado derecho de la pantalla.

- **Indicación de batería baja:** El símbolo de batería en el lado izquierdo de la pantalla  indica una condición de batería baja. Cuando primero están exhibidas, sigue habiendo aproximadamente 12 horas de la operación. Cuando la batería esté totalmente agotada, la báscula mostrará momentáneamente "Lo bAt" y se apagará.

### Operación





- **Prueba de encendido:** Cuando se presiona el botón **ON/ZERO Off**, la báscula enciende, todos los segmentos de la pantalla aparecerán durante un momento, seguido por una versión del software. La pantalla entonces reiniciará en cero.
- **Función de cero:** Presionando el botón **ON/ZERO Off**, la pantalla de la báscula regresa a cero. Cuando se agrega masa adicional, el botón **ON/ZERO Off** puede utilizarse repetidamente hasta que se alcance la capacidad total de la báscula. Cuando se utiliza un recipiente, el botón **ON/ZERO Off** puede utilizarse para simular una función de Tara. Entonces puede adicionarse masa como un peso NETO. Cuando se quiten la muestra y el recipiente de la báscula, puede aparecer un valor negativo. Ponga en cero la báscula antes de continuar utilizándola.

**NOTA:** El botón **ON/ZERO Off** realizará una función de configuración de cero verdadero cuando los valores mostrados estén dentro del  $\pm 2\%$  de la capacidad total. Por encima del 2%, la gama es limitada a la capacidad completa por la substracción.

- **Valores negativos:** Cuando se quita una carga de la báscula, cualquier valor previamente en cero será mostrado como un número negativo. Para retornar a la operación normal, el valor negativo es borrado de la pantalla presionando el botón **ON/ZERO Off**.
- **Sobrecarga:** Si la carga aplicada excede la capacidad de la báscula, aparece una "E". Remueva la carga y la báscula regresará a la operación normal.

- **Apagado automático:** Para aumentar la vida de las baterías, la báscula se apagará automáticamente después de aproximadamente cuatro minutos de inactividad. Esta característica está activa únicamente durante la operación con baterías.

### Pesaje dinámico eración

1. Presione el botón **UNITS Cal** con la plataforma vacía hasta que destelle la indicación • al lado de la unidad de medida deseada. 
2. Ponga una masa en la plataforma. La báscula mostrará "-A-".   
**NOTA:** Si está usando un recipiente, presione **ON/ZERO Off** para tarar el peso y regresar al cero.
3. Con una masa en la plataforma o recipiente, una pulsación corta de **UNITS Cal** iniciará el conteo regresivo de promedio desde 5 segundos. 
4. El peso promediado se muestra a continuación. El indicador • deja de destellar cuando el proceso se ha completado. 
5. La pantalla se mantendrá hasta que se presione un botón.
6. Para repetir el proceso presione **UNITS Cal** con una masa en la plataforma o recipiente.
7. Para salir, retire la masa de la plataforma o recipiente y presione **UNITS Cal**.

## Calibración

Para mejores resultados, calibre la báscula a intervalos regulares. (Los pesos de calibración no se suministran con la báscula.)

### PRECAUCIÓN



**TENGA MUCHO CUIDADO CUANDO MANIPULE LOS PESOS DE CALIBRACIÓN, YA QUE SON MUY PESADOS. LOS MÉTODOS INADECUADOS DE LEVANTAMIENTO O EL MAL USO DE LOS PESOS DE CALIBRACIÓN PUEDEN RESULTAR EN LESIONES PERSONALES. PUEDEN UTILIZARSE MÚLTIPLES PESOS PARA IGUALAR EL PESO DE CALIBRACIÓN REQUERIDO.**

1. Permita que la báscula se caliente y estabilice por lo menos durante dos minutos antes de comenzar el procedimiento de calibración.
2. Para seleccionar la unidad de pesaje a ser utilizada para la calibración, presione el botón **UNITS Cal** hasta que se muestre en pantalla la unidad correcta.

**NOTA:** El proceso de calibración puede detenerse en cualquier momento presionando el botón **UNITS Cal** o apagando la báscula. Es necesario que los pesos del intervalo de calibración estén disponibles antes de comenzar la calibración (vea la tabla de especificaciones). La calibración no está disponible en el modo de pesaje dinámico.

3. Presionen sostenido el botón **UNITS Cal** hasta que se muestre en pantalla "CAL".



4. Con la plataforma vacía, presione el botón **ON/ZERO Off** para capturar el cero de la báscula. La pantalla mostrará "-C-".



5. Después de capturar el cero, aparece en pantalla el peso requerido para el intervalo de calibración en la unidad seleccionada.



6. Coloque el peso de calibración sobre la plataforma y presione el botón **ON/ZERO Off**. La pantalla mostrará nuevamente "-C-".



7. Después de la captura del intervalo, la pantalla volverá al modo de pesaje normal.



**NOTA:** El mensaje "CAL E" aparecerá si se aplica un peso de calibración incorrecto. Repita el procedimiento usando el peso correcto de la calibración.

**Bloqueo de la calibración:** Utilizando un interruptor interno se puede bloquear la función de calibración (inhabilitada) y así puede prevenirse una nueva calibración no autorizada.

1. Con la báscula apagada, remueva la sección posterior de la caja del indicador desatornillando los cuatro tornillos en la parte inferior.
2. Deslice el interruptor en la PCB (señalado como SW3) a la posición marcada como "CAL LOCK".
3. Reensamble la caja.
4. Si lo requiere, coloque sellos de seguridad contra abertura no autorizada sobre los hoyos de los tornillos o sobre los bordes de la caja.

Si se necesita una nueva calibración, tendrá que abrir nuevamente la caja y regresar el interruptor de bloqueo a la posición original.

**NOTA:** Cuando el interruptor esté colocado en la posición CAL LOCK, el rango de encendido en cero se reduce al 10% de la capacidad total.

ES-10 BÁSCULA DE MESA DE LA SERIE SD

**Especificaciones (Modelos Bajos Estándares)**

<b>Modelo</b>	<b>SD35</b>	<b>SD75</b>	<b>SD200</b>
Capacidad y legibilidad	35 x 0,02 kg 77 x 0,05 lb	75 x 0,05 kg 165 x 0,1 lb	200 x 0,1 kg 440 x 0,2 lb
Unidades de pesaje	kg, lb		
Modos	Pesaje simple, Pesaje dinámico		
Pesos de calibración	25 kg/50 lb	50 kg/100 lb	100 kg/200 lb
Tiempo de estabilización	Dentro de 3 segundos		
Rango de cero	A la capacidad por la substracción.		
Sobrecarga máxima	150%		
Indicaciones de error: "E" "CALE" "UnSt" "ErrE" "Lo bat OFF" "Lo Line OFF"	<ul style="list-style-type: none"> <li>- Sobrecarga, carga insuficiente, sobrecarga/carga insuficiente en el encendido</li> <li>- Error de calibración</li> <li>- Inestable en el encendido</li> <li>- Error de memoria</li> <li>- Apagado por batería baja</li> <li>- Apagado por baja tensión de línea (adaptador de corriente)</li> </ul>		
Indicación de sobrecarga	Valor negativo		
Apagado automático	4 minutos sin actividad (sólo con operación con baterías)		
Tiempo de operación con baterías	360 horas		
Rango de temperatura operativa	41° a 104° F / 5° a 40° C a una humedad relativa del 10% al 80% sin condensación		
Longitud del cable	1,8 m / 72" (desenrollado)		
Pantalla	4 dígitos, LCD, alto de 0.8"/20 mm		
Tamaño de la base de la báscula	316 mm L x 280 mm An x 45 mm Al / 12,4" L x 11" An x 1,77" Al		
Tamaño del indicador	210 mm L x 91mm An x 39mm Al / 8,27" L x 3,58" An x 1,54" Al		
Requerimientos de corriente de las baterías	3 baterías alcalinas "C" (LR14)		
Adaptador CA	9-12 Voltios CD, 100 mA		
Peso neto	2,6 kg /5,8 lb	3,3 kg / 7,3 lb	
Peso de embarque	3,7 kg /8,1 lb	4,3 kg / 9,5 lb	
Tamaño del cartón de embalaje	380 mm L x 100 mm An x 465mm Al / 15" L x 3.94" An x 18.3" Al		

**Especificaciones (Modelos Bajos Grandes)**

<b>Modelo</b>	<b>SD75L</b>	<b>SD200L</b>
Capacidad y legibilidad	75 x 0,05 kg 165 x 0,1 lb	200 x 0,1 kg 440 x 0,2 lb
Unidades de pesaje	kg, lb	
Modos	Pesaje simple, Pesaje dinámico	
Pesos de calibración	50 kg/100 lb	100 kg/200 lb
Tiempo de estabilización	Dentro de 3 segundos	
Rango de cero	A la capacidad por la substracción.	
Sobrecarga máxima	150%	
Indicaciones de error: "E" "CALE" "UnSt" "ErrE" "Lo bat OFF" "Lo Line OFF"	<ul style="list-style-type: none"> <li>- Sobrecarga, carga insuficiente, sobrecarga/carga insuficiente en el encendido</li> <li>- Error de calibración</li> <li>- Inestable en el encendido</li> <li>- Error de memoria</li> <li>- Apagado por batería baja</li> <li>- Apagado por baja tensión de línea (adaptador de corriente)</li> </ul>	
Indicación de sobrecarga	Valor negativo	
Apagado automático	4 minutos sin actividad (sólo con operación con baterías)	
Tiempo de operación con baterías	360 horas	
Rango de temperatura operativa	41° a 104° F / 5° a 40° C a una humedad relativa del 10% al 80% sin condensación	
Longitud del cable	1,8 m / 72" (desenrollado)	
Pantalla	4 dígitos, LCD, alto de 0.8"/20 mm	
Tamaño de la base de la báscula	520 mm L x 400mm An x 230 mm Al / 20,5" L x 15,7" An x 3" Al	
Tamaño del indicador	210 mm L x 91mm An x 39mm Al / 8,27" L x 3,58" An x 1,54" Al	
Requerimientos de corriente de las baterías	3 baterías alcalinas "C" (LR14)	
Adaptador CA	9-12 Voltios CD, 100 mA	
Peso neto	14 kg / 31 lb	
Peso de embarque	15.5 kg / 34 lb	
Tamaño del cartón de embalaje	600 mm L x 480 mm An x 230 mm Al / 24" L x 19" An x 9" Al	

ES-12 BÁSCULA DE MESA DE LA SERIE SD

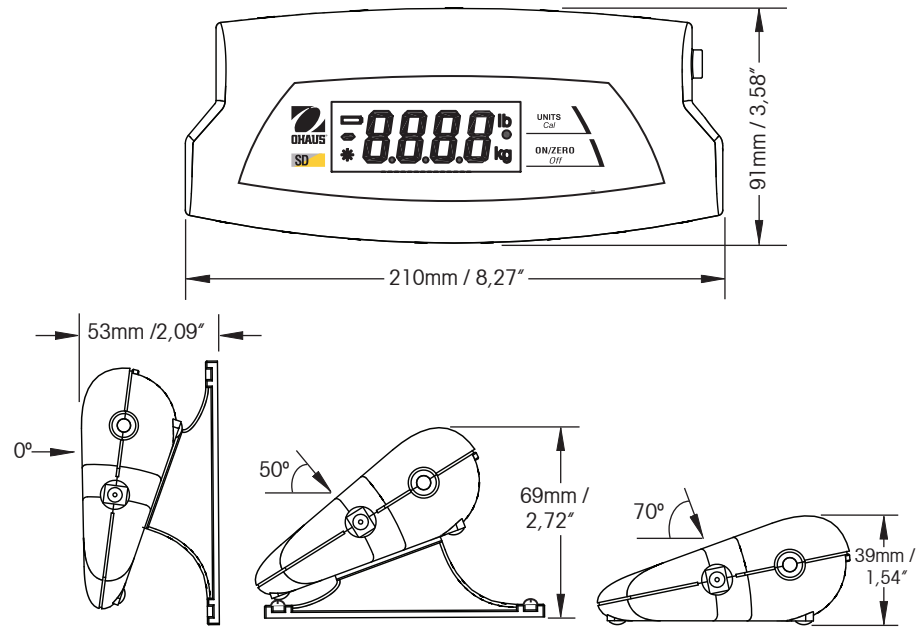


Figura 5. Dimensiones generales del indicador, ángulos de visualización disponibles.

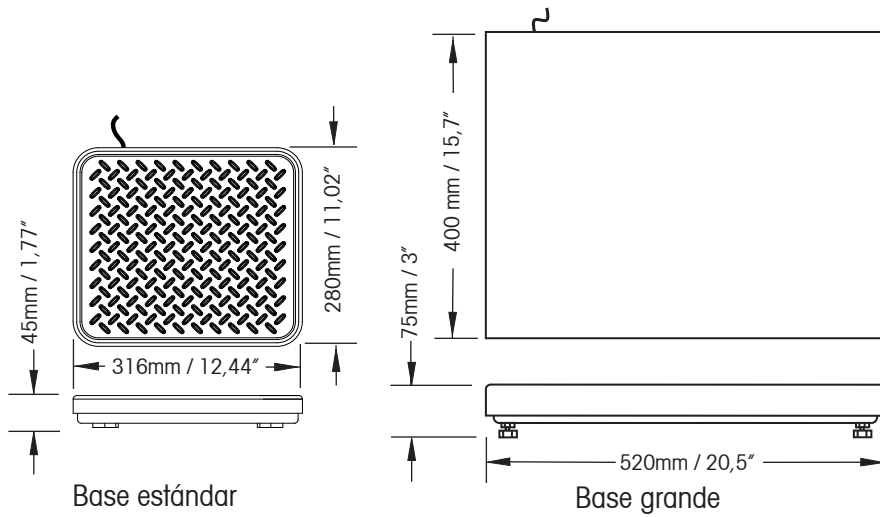


Figura 6. Dimensiones generales de la base de la báscula.

### **GARANTÍA LIMITADA**

Los productos de Ohaus están garantizados contra defectos materiales y de fabricación desde la fecha de entrega hasta la terminación del periodo de garantía. Durante el periodo de garantía, Ohaus reparará o, a su discreción, reemplazará cualquier componente que considere defectuoso sin ningún cargo, con la condición de que el producto sea devuelto a Ohaus con el flete pagado. Esta garantía no aplica si el producto ha sido dañado por un accidente o uso indebido, ha sido expuesto a materiales radioactivos o corrosivos, algún material extraño ha penetrado al interior del producto, o como resultado de un mantenimiento o modificación hechos por alguien distinto a Ohaus. En lugar de una tarjeta de registro de garantía devuelta apropiadamente, el periodo de garantía comienza en la fecha de envío al distribuidor autorizado. Ninguna otra garantía expresa o implícita es ofrecida por Ohaus Corporation. Ohaus Corporation no será responsable de ningún daño resultante. Ya que la legislación sobre garantías difiere de un estado a otro y de un país a otro, por favor consulte a Ohaus o a su distribuidor autorizado de Ohaus para mayores detalles.

## **Balances de table de la série SD Ohaus**

### **MANUEL D'INSTRUCTION**

- Ce manuel est destiné à tous les modèles de la balance de table de la série SD.
- Les poids du calibrage ne sont pas fournis avec ce produit.
- Pour obtenir les meilleurs résultats, utilisez le produit dans la plage de températures de fonctionnement indiquée.
- Pour optimiser la précision, effectuez vos mesures dans un environnement propre, sans champs électrostatiques ni magnétiques, sans poussière, sans humidité, sans vibration ni courant d'air.
- Utilisez votre balance série SD avec soins, en plaçant soigneusement les objets à peser sur le centre de la plate-forme. Évitez de manipuler le balance brusquement pour prolonger sa vie utile.

## Introduction

Ce manuel porte sur le fonctionnement des balances de table de la série SD Ohaus.

## Déballage

La balance de table de la série SD est livrée avec les composants suivants :

- Indicateur
- Base de la balance
- Supports de montage
- Adaptateur de courant CA.
- Ce manuel d'instruction
- Carte de la garantie

## Mise à niveau de la balance

La base de la balance doit être installée sur une surface stable, à niveau avant de commencer les opérations. Les modèles SD75L et SD200L est équipés de pieds ajustables. Réglez les quatre pieds ajustables sous la plate-forme pour mettre la balance à niveau.

## Options d'alimentation

### Adaptateur CA

- L'adaptateur CA (inclus) peut être utilisé pour alimenter le système lorsque les batteries ne sont pas disponibles.
- Vérifiez que l'alimentation d'entrée CA telle que marquée sur l'adaptateur correspond à la source d'alimentation disponible.
- Branchez la fiche ronde de l'adaptateur CA dans la prise d'entrée d'alimentation située sur le côté du boîtier de l'indicateur. Voir la figure 1.
- Branchez l'adaptateur CA dans une prise d'alimentation CA.

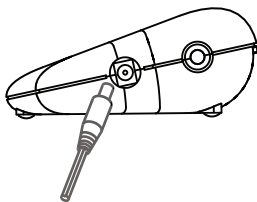


Figure 1. Branchement de la fiche de l'adaptateur dans l'indicateur.

### Installation des piles (optionnelle)

- Ouvrez le couvercle de la pile situé en bas de l'indicateur et installez trois piles alcalines de taille C (LR14) dans le compartiment. Orientez les piles selon l'illustration à l'intérieur du couvercle. Fermez le couvercle des piles.

**REMARQUE** : Les piles ne sont pas incluses.

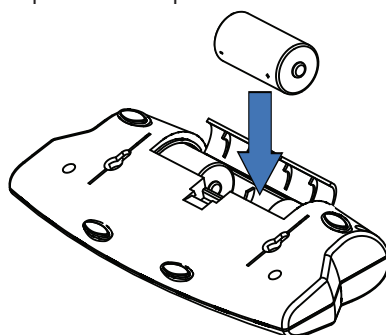


Figure 2. Installation des piles.



**ATTENTION** : Ne pas éliminer les batteries usées dans une poubelle domestique. Respecter les conditions d'élimination ou de recyclage conformément aux lois et règlements locaux en vigueur.

### Support d'indicateur et options de placement

- **Placement de dessus de table:**

L'indicateur peut être placé sur une table plate sans aucun autre matériel supplémentaire. Quatre pieds en caoutchouc garantissent une bonne stabilité sur la majorité des surfaces.

- **Montage mural direct:**

L'indicateur peut être monté directement sur un mur à l'aide de deux vis (non incluses). Sélectionnez des vis de taille appropriée qui rentrent dans les trous en bas du boîtier de l'indicateur. Voir la figure 3. Lors du montage sur un mur sans support solide, utilisez le matériel d'ancrage approprié.

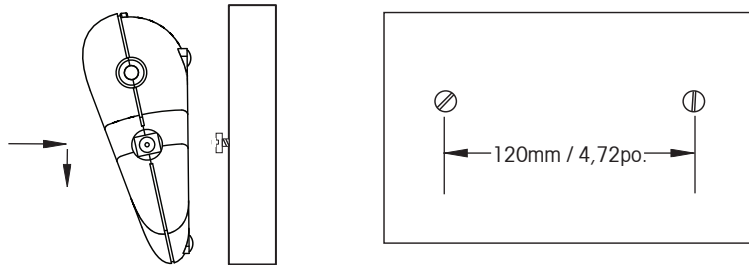


Figure 3. Montage mural direct.

- **Support, montage mural/montage sur table**

Fixez les deux brides de montage (voir la figure 4). Placez l'indicateur à l'endroit souhaité sur le mur ou sur la table. Installez les 2 vis (non fournies) sur les extrémités de chacun des supports pour les fixer à la surface. Lors du montage sur un mur sans support solide, utilisez le matériel d'ancrage approprié.

**REMARQUES SUR LE MONTAGE :**

1. Lors de la fixation des supports : Placez des goupilles rondes dans les trous en bas de l'indicateur, faites glisser chaque support vers l'arrière pour le bloquer.
2. Les supports de montage peuvent être fixés dans deux sens afin d'offrir un angle de vue optimal.
3. Certaines positions de montage peuvent requérir que les supports soient fixés à la surface de travail avant d'être fixés à l'indicateur.

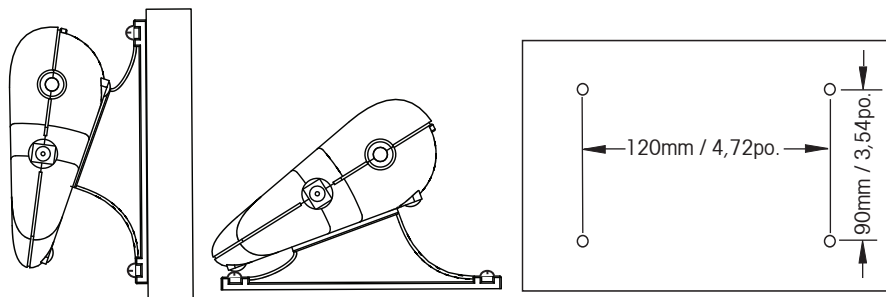


Figure 4. Installation du support pour le montage mural et sur la table.

## Caractéristiques et fonctionnement du produit



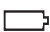
Figure 5. Commandes du panneau de l'indicateur.

### Pavé à deux boutons

- **ON/ZERO Off** : Appuyez rapidement sur ce bouton pour mettre la balance en marche (si elle est désactivée). Lorsque la balance est en marche, appuyez rapidement sur ce bouton pour mettre la balance à zéro et appuyez longuement sur ce bouton pour désactiver la balance.
- **UNITS Cal** : Appuyez rapidement sur ce bouton pour changer l'unité de pesage. Appuyez longuement sur ce bouton pour lancer le processus de calibrage.

### Fenêtre d'affichage

- **Caractères numériques larges à 7 segments** : Les valeurs du poids (de la masse) sont indiquées à l'aide de 4 chiffres, y compris le signe moins et les décimales. Des invites de calibration et les états d'erreur possibles sont également indiqués à l'aide de ces chiffres.
- **Indication de lecture stable** : Un astérisque (\*) s'affiche en bas à gauche de l'affichage pour indiquer à quel moment la lecture est stable.
- **Indication de l'unité de pesage** : L'unité de pesage sélectionnée apparaît à droite de l'affichage.

- **Indication du niveau bas des piles :** Le symbole d'une pile à gauche de l'écran  indique un niveau bas des piles. Une fois d'abord montrées, approximativement 12 heures d'opération demeurent. Lorsque les piles sont totalement usées, la balance affiche temporairement « Lo bAt » (Niveau bas pile) et s'arrête.

### Fonctionnement





- **Test de mise sous tension :** Lorsque vous appuyez sur le bouton **ON/ZERO Off**, la balance est mise sous tension, tous les segments d'affichage apparaissent momentanément suivis de la version du logiciel. L'affichage est ensuite remis à zéro.
- **Fonction du zéro :** Appuyez sur le bouton **ON/ZERO Off** pour remettre l'affichage de la balance à zéro. Lorsque vous ajoutez une masse supplémentaire, appuyez plusieurs fois sur le bouton **ON/ZERO Off** jusqu'à ce que la capacité totale de la balance soit atteinte. Lorsque vous utilisez un conteneur, appuyez sur le bouton **ON/ZERO Off** pour simuler la fonction Tare. Vous pouvez ensuite ajouter une masse additionnelle comme poids NET. Lorsque vous enlevez l'échantillon et le conteneur de la balance, une valeur négative peut s'afficher. Remettez la balance à zéro avant toute utilisation.

**REMARQUE :** Le bouton **ON/ZERO Off** permet d'effectuer une véritable fonction de remise à zéro lorsque les valeurs affichées sont dans les  $\pm 2$  % de la capacité totale. Au-dessus de 2%, la gamme est limitée à la pleine capacité par soustraction.

- **Valeurs négatives :** Lorsque vous enlevez une charge de la balance, toute valeur précédemment mise à zéro s'affiche avec un nombre négatif. Pour revenir à un fonctionnement normal, appuyez sur le bouton **ON/ZERO Off** pour effacer la valeur négative.
- **Surcharge :** Si la charge appliquée dépasse la capacité de la balance, un message d'erreur « E » s'affiche. Enlevez la charge et la balance est prête à fonctionner normalement.

- **Arrêt automatique** : Pour prolonger la vie de la pile, la balance s'arrête automatiquement après quatre minutes d'inactivité. Cette fonction est uniquement active pendant le fonctionnement sur pile.

### Pesage dynamique

1. Avec la plate-forme vide, appuyez sur le bouton **UNITS Cal** jusqu'à ce que le symbole • clignote près de l'unité de mesure souhaitée 
2. Placez une masse sur la plate-forme. La balance affiche « -A- ».   
**REMARQUE:** Si vous utilisez un conteneur, appuyez sur **ON/ZERO Off** pour tarer le poids et revenir à zéro.
3. Avec une masse sur la plate-forme ou le conteneur, appuyez rapidement sur **UNITS Cal** pour lancer le compte à rebours de la moyenne dans les 5 secondes. 
4. Le poids moyen s'affiche. Le symbole • cesse de clignoter lorsque le processus est terminé. 
5. L'affichage est conservé jusqu'à ce que vous appuyiez sur le bouton.
6. Pour répéter le processus, appuyez sur **UNITS Cal** avec une masse sur la plate-forme ou le conteneur.
7. Pour quitter, enlevez la masse de la plate-forme ou le conteneur et appuyez sur **UNITS Cal**.

## Calibrage

Pour obtenir les meilleurs résultats, calibrez la balance à des intervalles réguliers.  
(Les poids de calibrage ne sont pas fournis avec la balance).

### ATTENTION



**MANIPULER LES POIDS DE CALIBRAGE AVEC SOIN. CES POIDS SONT EFFECTIVEMENT TRÈS LOURDS. TOUTE MÉTHODE DE LEVAGE INCORRECTE OU TOUTE UTILISATION INAPPROPRIÉE DES POIDS DE CALIBRAGE PEUT ENTRAÎNER DES BLESSURES. PLUSIEURS POIDS PEUVENT ÊTRE UTILISÉS POUR OBTENIR LE POIDS DE CALIBRAGE REQUIS.**

1. Attendez que la balance se réchauffe et se stabilise pendant deux minutes avant de lancer la procédure de calibrage.
2. Pour sélectionner l'unité de pesage à utiliser pour le calibrage, appuyez sur le bouton **UNITS Cal** jusqu'à ce que l'unité appropriée s'affiche.

**REMARQUE** : Vous pouvez annuler la procédure de calibrage à n'importe quel moment en appuyant sur **UNITS Cal** ou en mettant la balance sur arrêt. Les poids appropriés du calibrage de la portée doivent être disponibles avant de commencer le calibrage (voir le tableau des spécifications). Le calibrage n'est pas disponible en mode de pesage dynamique.

3. Appuyez sur le bouton **UNITS Cal** que vous maintenez enfoncé jusqu'à ce que le message CAL s'affiche.



4. Lorsque la plate-forme est vide, appuyez sur le bouton **ON/ZERO Off** pour capturer le zéro de la balance. L'affichage indique « -[ - ».



5. Après avoir capturé le zéro, le poids de calibrage de la portée requise s'affiche dans l'unité sélectionnée.



6. Placez le poids de calibrage sur la plate-forme et appuyez ensuite sur **ON/ZERO Off**. L'affichage indique à nouveau « -C- ».



7. Après la capture de la portée, l'affichage revient au mode de pesage normal.



**REMARQUE** : Le message « CAL E » s'affiche si un poids de calibrage incorrect a été appliqué. Répétez le procédé en utilisant le poids correct de calibrage.

**Verrouillage du calibrage** : Vous pouvez verrouiller la fonction de calibrage (la désactiver) à l'aide de l'interrupteur interne pour empêcher tout recalibrage non autorisé.

1. Une fois la balance hors tension, enlevez le boîtier arrière de l'indicateur en dévissant les quatre vis en bas
2. Placez l'interrupteur sur le PCB (marqué SW3) en position CAL LOCK.
3. Réassemblez le boîtier.
4. Si besoin, placez des étiquettes inviolables sur les trous des vis ou sur les bords du boîtier.

Si un recalibrage ultérieur est requis, le boîtier doit être rouvert et l'interrupteur de verrouillage remis en position initiale.

**REMARQUE** : Lorsque l'interrupteur de verrouillage est en position CAL LOCK, la plage de zéro de la mise sous tension est réduite à 10 % de la capacité totale.

**Characteristics techniques (Modèles Bas Standard)**

<b>Modèle</b>	<b>SD35</b>	<b>SD75</b>	<b>SD200</b>
Capacité x Précision	35 x 0,02 kg 77 x 0,05 lb	75 x 0,05 kg 165 x 0,1 lb	200 x 0,1 kg 440 x 0,2 lb
Unités de pesage	kg, lb		
Modes	Pesage simple, Pesage dynamique		
Poids de calibrage	25 kg/50 lb	50 kg/100 lb	100 kg/200 lb
Temps de stabilisation	Dans les 3 secondes		
Plage de zéro	À la capacité par soustraction.		
Surcharge maximum	150%		
Indications d'erreur :	<ul style="list-style-type: none"> <li>"E" - Surcharge, Sous-charge, Sur/sous-charge à la mise en marche</li> <li>"CALE" - Erreur de calibrage</li> <li>"UnSt" - Instable à la mise en marche</li> <li>"ErrE" - Erreur de mémoire</li> <li>"Lo bat OFF" - Arrêt causé par niveau bas de la batterie</li> <li>"Lo Line OFF" - Arrêt causé par basse tension secteur (adaptateur alimentation)</li> </ul>		
Indication de sous-charge.	Valeur négative		
Arrêt automatique	4 minutes sans activité (fonctionnement sur pile uniquement)		
Durée de fonctionnement sur pile	360 heures		
Plage de la température de fonctionnement	5° à 40°C d'humidité relative 10 % à 80%, sans condensation		
Longueur de câble	1,8m / 72 po. (déroulé)		
Affichage	4 chiffres, LCD, 0,8 po./20 mm de hauteur		
Dimensions de la base de la balance	316 mm Longueur x 280 mm Largeur x 45 mm Hauteur / 12,4 po. x L x 11 po. x 1,77 po		
Dimensions de l'indicateur	210 mm Longueur x 91 mm Largeur x 39 mm Hauteur / 8,27 po. x 3,58 po. x 1,54 po		
Piles requises	3 piles alcalines C (LR14)		
Adaptateur CA	9-12 VCC, 100 mA		
Poids net	2,6 kg / 5,8 lb	3,3 kg / 7,3 lb	
Poids à l'expédition	3,7 kg / 8,1 lb	4,3 kg / 9,5 lb	
Dimensions du carton d'emballage	380 mm Longuer x 100 mm Largeur x 465 mm hauteur / 15 po. x 3,94 po. x 18,3 po.		

## BALANCE DE TABLE SÉRIE SD FR-11

**Characteristics techniques (Grands Modèles Bas)**

<b>Modèle</b>	<b>SD75L</b>	<b>SD200L</b>
Capacité x Précision	75 x 0,05 kg 165 x 0,1 lb	200 x 0,1 kg 440 x 0,2 lb
Unités de pesage	kg, lb	
Modes	Pesage simple, Pesage dynamique	
Poids de calibrage	50 kg/100 lb	100 kg/200 lb
Temps de stabilisation	Dans les 3 secondes	
Plage de zéro	À la capacité par soustraction.	
Surcharge maximum	150%	
Indications d'erreur :	<ul style="list-style-type: none"> <li>"E" - Surcharge, Sous-charge, Sur/sous-charge à la mise en marche</li> <li>"CALE" - Erreur de calibrage</li> <li>"UnSt" - Instable à la mise en marche</li> <li>"ErrE" - Erreur de mémoire</li> <li>"Lo bat OFF" - Arrêt causé par niveau bas de la batterie</li> <li>"Lo Line OFF" - Arrêt causé par basse tension secteur (adaptateur alimentation)</li> </ul>	
Indication de sous-charge.	Valeur négative	
Arrêt automatique	4 minutes sans activité (fonctionnement sur pile uniquement)	
Durée de fonctionnement sur pile	360 heures	
Plage de la température de fonctionnement	5° à 40°C d'humidité relative 10 % à 80%, sans condensation	
Longueur de câble	1,8m / 72 po. (déroulé)	
Affichage	4 chiffres, LCD, 0,8 po./20 mm de hauteur	
Dimensions de la base de la balance	316 mm Longueur x 280 mm Largeur x 45 mm Hauteur / 12,4 po. x L x 11 po. x 1,77 po	
Dimensions de l'indicateur	210 mm Longueur x 91 mm Largeur x 39 mm Hauteur / 8,27 po. x 3,58 po. x 1,54 po	
Piles requises	3 piles alcalines C (LR14)	
Adaptateur CA	9-12 VCC, 100 mA	
Poids net	14 kg / 31 lb	
Poids à l'expédition	15.5 kg / 34 lb	
Dimensions du carton d'emballage	380 mm Longuer x 100 mm Largeur x 465 mm hauteur / 15 po. x 3,94 po. x 18,3 po.	

FR-12 BALANCE DE TABLE SÉRIE SD

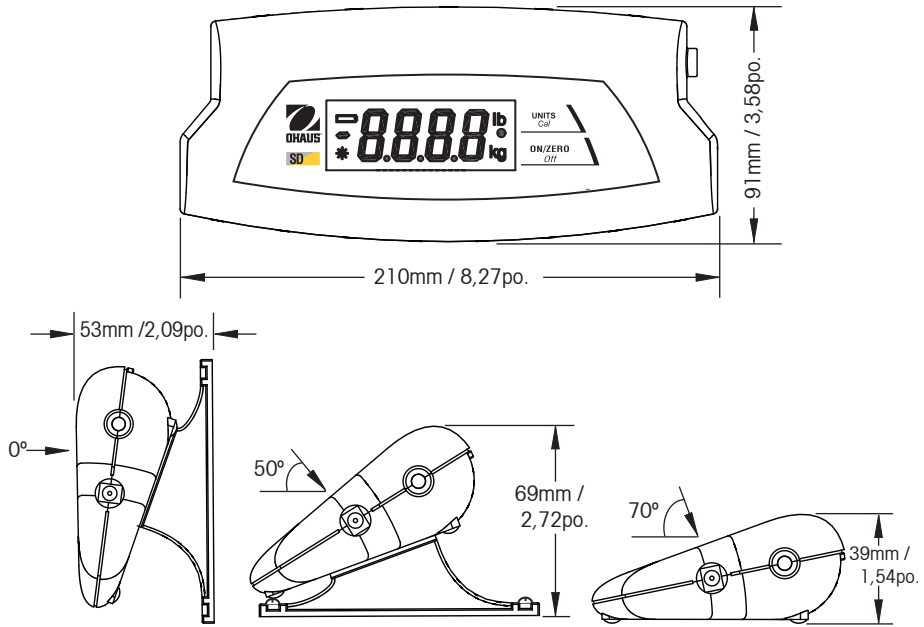


Figure 5. Dimensions hors tout de l'indicateur – Angles de visualisation disponibles.

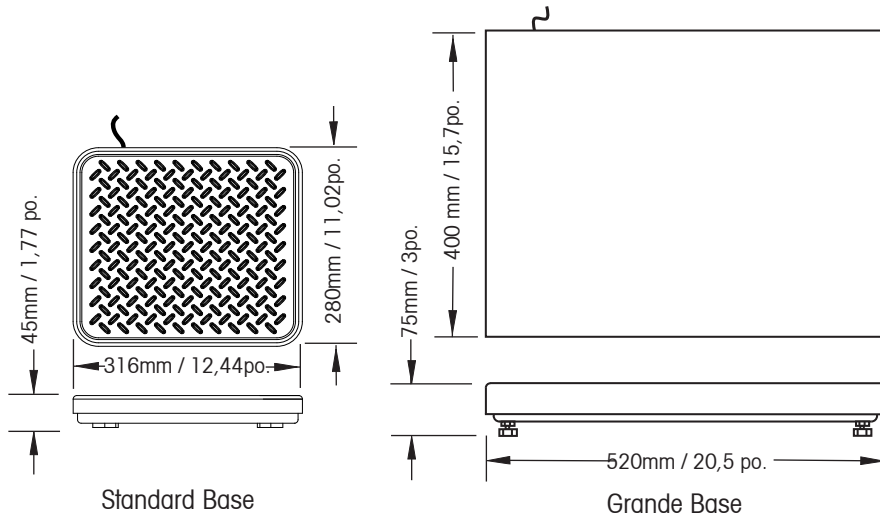


Figure 6. Dimensions hors tout de la base de la balance.

### **GARANTIE LIMITEE**

Ohaus garantit que ses produits sont exempts de défauts matériels et de fabrication pendant la durée de la garantie. Selon les termes de cette garantie, Ohaus s'engage, sans frais de votre part, à réparer ou, selon son choix, remplacer toutes les pièces déterminées défectueuses, sous réserve que le produit soit retourné, frais payés d'avance, à Ohaus. Cette garantie n'entre pas en vigueur si le produit a subi des dommages suite à un accident ou une utilisation erronée, a été exposé à des matériaux radioactifs ou corrosifs, contient des matériaux étrangers ayant pénétré à l'intérieur ou suite à un service ou une modification apportés par des techniciens autres que ceux d'Ohaus. En l'absence d'enregistrement du produit, la période de garantie commence à la date de l'expédition au revendeur agréé. Aucune autre garantie expresse ou implicite n'est offerte par Ohaus Corporation. En aucun cas, Ohaus Corporation ne peut être tenu responsable des dommages indirects. Dans la mesure où les lois régissant les garanties varient d'un État à l'autre et d'un pays à l'autre, veuillez contacter Ohaus ou votre représentant local agréé Ohaus pour de plus amples informations.

## **Ohaus-Tischwaage der SD-Serie**

### **BEDIENUNGSANLEITUNG**

- Der Inhalt dieses Handbuchs gilt für alle Modelle der Tischwaage der SD-Serie.
- Es sind keine Kalibriergewichte im Lieferumfang des Produkts enthalten.
- Die besten Ergebnisse werden erzielt, wenn man das Produkt im vorgegebenen Betriebstemperaturbereich betreibt.
- Zur Erzielung der besten Genauigkeit müssen die Messungen in einer sauberen Umgebung durchgeführt werden, die frei von elektrostatischen und magnetischen Feldern, Staub und Schmutz, Feuchtigkeit, Vibrationen und Luftströmungen ist.
- Gehen Sie mit Ihrer Tischwaage der SD-Serie vorsichtig um, und legen Sie die zu wägenden Gegenstände vorsichtig in die Mitte der Plattform. Wenn Sie Ihre Waage pfleglich behandeln, verlängern Sie dadurch deren Lebensdauer.

## Einleitung

Dieses Handbuch behandelt die Bedienung von Ohaus-Tischwaagen der SD-Serie.

## Auspacken

Im Lieferumfang der Tischwaage der SD-Serie sind folgende Komponenten enthalten:

- Indikator
- Wägebrücke
- Montagehalterungen
- Netzadapter
- Diese Bedienungsanleitung
- Garantiekarte

## Nivellieren der Waagenplattform

Die Wägebrücke sollte vor der Inbetriebnahme auf eine ebene, stabile Oberfläche gestellt werden. Die Modelle SD75L und SD200L sind mit verstellbaren Nivellierfüßen ausgestattet. Zur Nivellierung der Plattform werden die vier Nivellierfüße unten eingestellt.

## Leistungsoptionen

### Betrieb des Netzadapters

- Der Netzadapter (im Lieferumfang enthalten) kann zum Betreiben des Systems verwendet werden, wenn kein Batteriestrom zur Verfügung steht.
- Stellen Sie sicher, dass die auf dem Adapter angegebene Wechselstromeingangsleistung mit der verfügbaren Stromquelle übereinstimmt.
- Schließen Sie den runden Stecker des Netzadapters an der Stromeingangsbuchse auf der Seite des Indikatorgehäuses an. Siehe Abbildung 1.
- Stecken Sie den Netzadapter in eine Netzsteckdose ein.

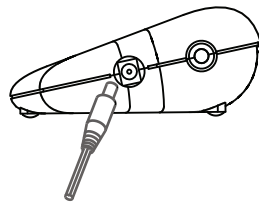


Abbildung 1. Anschließen des Adaptersteckers am Indikator.

### Installation der Batterien (optional)

- Öffnen Sie die Batterieabdeckung auf der Unterseite des Indikators und legen Sie drei Alkalibatterien der Größe „C“ (LR14) in das Fach ein. Richten Sie die Batterien so wie auf der Innenseite der Abdeckung gezeigt aus. Schließen Sie die Batterieabdeckung.

**HINWEIS:** Batterien sind nicht im Lieferumfang enthalten.

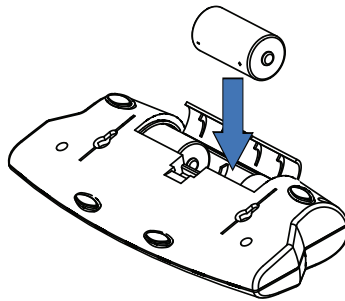


Abbildung 2. Einlegen der Batterien.



**VORSICHT: Entledigen Sie sich nicht benutzte Batterien in der Hausangestelltvergeudung. Folgen Sie der korrekten Beseitigung oder Wiederverwertung Anforderungen in Übereinstimmung mit lokalen Gesetzen und Regelungen.**

### Indikatormontage und Platzierung Wahlen

- **Tabelle Oberseite Platzierung:**

Der Indikator kann auf eine flache, ebene Fläche gestellt werden, wobei keine zusätzlichen Befestigungsmittel notwendig sind. Vier GummifüÙe sorgen auf den meisten Oberflächen für ein vermindertes Rutschen.

- **Direkte Wandmontage:**

Der Indikator kann mit zwei Schrauben (nicht im Lieferumfang enthalten) direkt an einer Wand montiert werden. Wählen Sie Schrauben einer geeigneten Größe, die in die Löcher an der Unterseite des Indikatorgehäuses passen. Siehe Abbildung 3. Wenn das Gerät an einer Wand ohne feste Verstärkung montiert wird, verwenden Sie geeignete Befestigungsmittel zum Verankern.

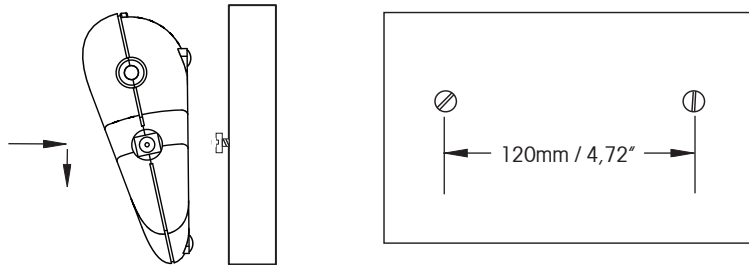


Abbildung 3. Direkte Wandmontage.

• **Wandmontage mit Halterung/Tischmontage:**

Befestigen Sie die zwei Montagehalterungen (siehe Abb. 4). Positionieren Sie den Indikator an die gewünschte Stelle an der Wand oder auf dem Tisch. Bauen Sie zwei Schrauben (nicht im Lieferumfang enthalten) in die Enden jeder Halterung ein, um sie an der Oberfläche zu befestigen. Wenn das Gerät an einer Wand ohne feste Verstärkung montiert wird, verwenden Sie geeignete Befestigungsmittel zum Verankern.

**MONTAGEHINWEISE:**

1. Befestigen von Halterungen: Führen Sie runde Stifte in Löcher an der Unterseite des Indikators ein und schieben Sie jede Halterung zurück, bis sie einrastet.
2. Die Montagehalterungen können in zwei unterschiedlichen Ausrichtungen montiert werden, um einen optimalen Betrachtungswinkel zu gewährleisten.
3. Bei einigen Montagepositionen müssen die Halterungen eventuell an der Arbeitsfläche befestigt werden, bevor sie am Indikator befestigt werden.

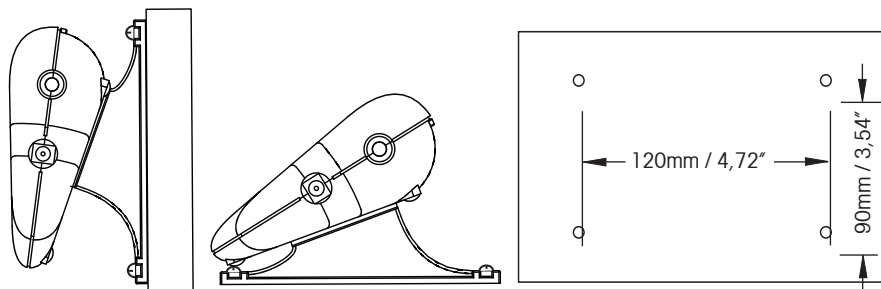


Abbildung 4. Wandmontage mit Halterung u. Tischmontage.

## Produktmerkmale u. Bedienung

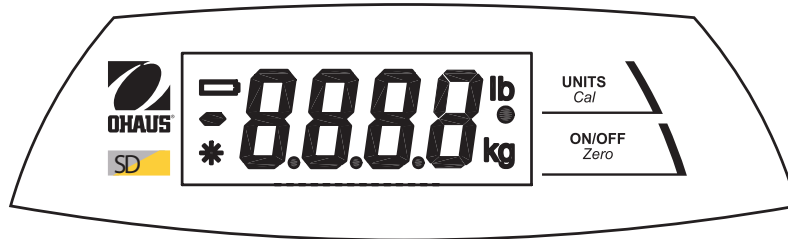



Abbildung 5. Bedienelemente am Indikatorbedienfeld.

### Tastenfeld mit zwei Tasten

- **ON/ZERO Off (Ein/Null Aus):** Durch kurzes Drücken auf diese Taste wird die Waage eingeschaltet, wenn sie ausgeschaltet ist. Wenn die Waage eingeschaltet ist, wird durch kurzes Drücken dieser Taste die Waage auf Null gestellt. Durch langes Drücken wird die Waage ausgeschaltet.
- **UNITS Cal (Einheiten Kalibrierung):** Durch ein kurzes Drücken wird die Wägeeinheit geändert. Durch langes Drücken wird das Kalibrierungsverfahren eingeleitet.

### Anzeigefenster

- **Große numerische Zeichen mit 7 Segmenten:** Die Gewichtswerte werden mithilfe von 4 Ziffern einschließlich Minuszeichen und Dezimalstellen angezeigt. Außerdem werden mit diesen Ziffern Eingabeaufforderungen für die Kalibrierung und mögliche Fehlerzustände angezeigt.
- **Stabile Messwertanzeige:** In der unteren linken Ecke der Anzeige erscheint ein \* und zeigt an, wann ein Messwert stabil ist.
- **Gewichtseinheitsanzeige:** Die gewählte Gewichtseinheit erscheint auf der rechten Seite der Anzeige.

- **Niedrige Batterieanzeige:** Das Batteriesymbol auf der linken Seite der Anzeige  zeigt einen niedrigen Batteriezustand an. Wenn sie zuerst angezeigt werden, bleiben ungefähr 12 Stunden des Betriebes. Wenn die Batterie ganz leer ist, wird auf der Waage kurz die Meldung „Lo bAt“ (Niedriger Batteriestand) eingeblendet, und die Waage schaltet sich aus.

### Betrieb



- **Einschalttest:** Wird die Taste **ON/ZERO Off** (EIN/NULL Aus) gedrückt, schaltet sich die Waage ein; alle Anzeigesegmente werden kurzzeitig eingeblendet, und anschließend erscheint die Softwareversion. Die Anzeige stellt sich dann auf Null zurück.
- **Nullfunktion:** Durch das Drücken auf **ON/ZERO Off** kehrt die Waagenanzeige auf Null zurück. Beim Hinzufügen von zusätzlichen Gewichten kann die Taste **ON/ZERO Off** wiederholt verwendet werden, bis die volle Kapazität der Waage erreicht ist. Wenn ein Behälter verwendet wird, kann die Taste **ON/ZERO Off** zum Simulieren der Tarafunktion verwendet werden. Zusätzliche Gewichte können dann als NET (Netto) -Gewicht hinzugefügt werden. Wenn sowohl die Probe als auch der Behälter von der Waage abgenommen werden, wird eventuell ein negativer Wert angezeigt. Stellen Sie die Waage vor einer erneuten Verwendung wieder auf Null.



**HINWEIS:** Die Taste **ON/ZERO Off** führt eine echte Nulleinstellungsfunktion aus, wenn Anzeigewerte innerhalb von  $\pm 2$  % der vollen Kapazität liegen. Über 2% wird die Strecke auf die volle Kapazität durch Abzug begrenzt.

- **Negative Werte:** Wenn eine Last von der Waage abgenommen wird, wird jeder zuvor auf Null gestellte Wert als negative Zahl angezeigt. Um zum normalen Betrieb zurückzukehren, wird der negative Wert durch Drücken der Taste **ON/ZERO Off** aus der Anzeige gelöscht.
- **Überlast:** Wenn die aufgelegte Last die Kapazität der Waage überschreitet, erscheint auf der Anzeige ein „E“. Nehmen Sie die Last ab und die Waage kehrt zum Normalbetrieb zurück.

- **Automatisches Ausschalten:** Zum Verlängern der Lebensdauer der Batterien schaltet sich die Waage nach ca. vier Minuten ohne Aktivität automatisch aus. Diese Funktion ist nur im Batteriebetrieb aktiv.

### Dynamisches Wägen

1. Wenn die Plattform leer ist, drücken Sie die Taste **UNITS Cal**, bis die Anzeige • neben der gewünschten Maßeinheit blinkt. 
2. Legen Sie ein Gewicht auf die Plattform. Auf der Anzeige erscheint „-A-“. 

**HINWEIS:** Drücken Sie bei Verwendung eines Behälters auf **ON/ZERO Off**, um das Gewicht zu tarieren und zu Null zurückzukehren.
3. Während sich ein Gewicht auf der Plattform bzw. im Behälter befindet, wird durch kurzes Drücken auf **UNITS Cal** ein Countdown von 5 Sekunden für die Mittelung gestartet. 
4. Dann wird das gemittelte Gewicht angezeigt. Der Indikator • hört zu blinken auf, wenn der Vorgang abgeschlossen ist. 
5. Die Wert wird so lange angezeigt, bis eine Taste gedrückt wird.
6. Zum Wiederholen des Vorgangs drücken Sie auf **UNITS Cal**, während sich ein Gewicht auf der Plattform oder im Behälter befindet.
7. Zum Beenden nehmen Sie das Gewicht von der Plattform oder aus dem Behälter und drücken **UNITS Cal**.

## Kalibrierung

Zur Erzielung der besten Ergebnisse muss die Waage in regelmäßigen Abständen kalibriert werden. (Es sind keine Kalibriergewichte im Lieferumfang der Waage enthalten.)

### VORSICHT



**BEIM UMGANG MIT KALIBRIERGEWICHTEN MUSS EXTREM VORSICHTIG VORGEGANGEN WERDEN, DA SIE SEHR SCHWER SIND. FALSCHHE HEBEMETHODEN ODER DER MISSBRAUCH VON KALIBRIERGEWICHTEN KANN ZU VERLETZUNGEN FÜHREN. UM DAS ERFORDERLICHE KALIBRIERGEWICHT ZU ERREICHEN, KÖNNEN MEHRERE GEWICHTE VERWENDET WERDEN.**

1. Lassen Sie die Waage mindestens zwei Minuten lang aufwärmen und sich stabilisieren, bevor mit dem Kalibrieren begonnen wird.
2. Zur Auswahl der für die Kalibrierung zu verwendenden Wägeeinheit drücken Sie die Taste **UNITS Cal**, bis die richtige Einheit angezeigt wird.

**HINWEIS:** Die Kalibrierung kann jederzeit durch Drücken der Taste **UNITS Cal** oder durch Ausschalten der Waage abgebrochen werden. Vor Beginn der Kalibrierung müssen die richtigen Messspannenkalibriergewichte zur Verfügung stehen (siehe Tabelle mit Spezifikationen). Im dynamischen Wägemodus steht keine Kalibrierung zur Verfügung.

3. Drücken und halten Sie die Taste **UNITS Cal** gedrückt, bis „CAL“ eingeblendet wird.

4. Drücken Sie die Taste **ON/ZERO Off** bei leerer Plattform, um den Waagennullwert zu erfassen. Auf der Anzeige erscheint „-C-“

5. Nach Erfassung der Null wird das erforderliche Messspannen-Kalibriergewicht in der ausgewählten Einheit angezeigt.



6. Legen Sie das Kalibriergewicht auf die Plattform und drücken Sie die Taste **ON/ZERO Off**. Auf der Anzeige erscheint erneut „-C-“.



7. Nach der Messspannenerfassung kehrt die Anzeige zum normalen Wägemodus zurück.



**HINWEIS:** Die Meldung „CAL E“ wird eingeblendet, wenn ein falsches Kalibriergewicht aufgelegt wurde. Wiederholen Sie das Verfahren mit dem korrekten Kalibrierung Gewicht.

**Kalibrierungsverriegelung:** Die Kalibrierfunktion kann mithilfe eines internen Schalter verriegelt (deaktiviert) werden, sodass eine unbefugte Kalibrierung verhindert wird.

1. Bauen Sie bei ausgeschalteter Waage den rückwärtigen Teil des Indikatorgehäuses aus, indem Sie die vier Schrauben an der Unterseite herausschrauben.
2. Schieben Sie den Schalter auf der Platine (mit der Markierung SW3) in die Position mit der Markierung „CAL LOCK“.
3. Bauen Sie das Gehäuse wieder zusammen.
4. Kleben Sie nach Bedarf manipulationssichere Etiketten über die Schraubenlöcher oder die Gehäusekanten.

Wenn später eine erneute Kalibrierung erforderlich ist, muss das Gehäuse wieder geöffnet und der Sperrschalter muss wieder in die ursprüngliche Position gebracht werden.

**HINWEIS:** Wird der Sperrschalter in die Position CAL LOCK gestellt, dann wird der Nullbereich beim Einschalten auf 10 % der vollen Kapazität reduziert.

**Technische Daten (Standardwägebrücke)**

Modell	SD35	SD75	SD200
Kapazität x Ablesbarkeit	35 x 0,02 kg 77 x 0,05 lb	75 x 0,05 kg 165 x 0,1 lb	200 x 0,1 kg 440 x 0,2 lb
Wä geeinheiten	kg, lb		
Modi	Einfaches Wägen, dynamisches Wägen		
Kalibrierungsgewichte	25 kg/50 lb	50 kg/100 lb	100 kg/200 lb
Stabilisierungszeit	Innerhalb von 3 Sekunden		
Nullbereich	Zur Kapazität durch Abzug.		
Maximale Überlast	150%		
Fehleranzeigen:	<ul style="list-style-type: none"> <li>"E" - Überlast, Unterlast, Über-/Unterlast beim Einschalten</li> <li>"CALE" - Kalibrierungsfehler</li> <li>"UnSt" - Beim Einschalten instabil</li> <li>"ErrE" - Speicherfehler</li> <li>"Lo bat OFF" - Ausschalten bei schwacher Batterie</li> <li>"Lo Line OFF" - Ausschalten bei niedriger Leitungsspannung (Netzadapter)</li> </ul>		
Unterlastanzeige	Negativer Wert		
Automatisches Ausschalten	4 Minuten ohne Aktivität (nur Batteriebetrieb)		
Batteriebetriebszeit	360 Stunden		
Betriebstemperaturbereich	41 ° bis 104 °F / 5 ° bis 40 °C bei 10 % bis 80 % relativer Feuchte, nicht kondensierend		
Kabellänge	1,8 m / 72" (ausgezogen)		
Anzeige	4-stellig, LCD, 0,8"/20 mm hoch		
Wägebrückengröße	316 mm L x 280 mm B x 45 mm H / 12,4" x L x 11" B x 1,77" H		
Indikatorgröße	210 mm L x 91 mm B x 39 mm H / 8,27" L x 3,58" B x 1,54" H		
Batterieleistungsanforderungen	3 Alkalibatterien der Größe „C“ (LR14)		
Netzadapter	9-12 Volt DC, 100 mA		
Nettogewicht	2,6 kg /5,8 lb	3,3 kg / 7,3 lb	
Versandgewicht	3,7 kg /8,1 lb	4,3 kg / 9,5 lb	
Versandkartongröße	380 mm L x 100 mm B x 465 mm H / 15" L x 3,94" B x 18,3" H		

**Technische Daten (Große Wägebrücke)**

<b>Modell</b>	<b>SD75L</b>	<b>SD200L</b>
Kapazität x Ablesbarkeit	75 x 0,05 kg 165 x 0,1 lb	200 x 0,1 kg 440 x 0,2 lb
Wä geeinheiten	kg, lb	
Modi	Einfaches Wägen, dynamisches Wägen	
Kalibrierungsgewichte	50 kg/100 lb	100 kg/200 lb
Stabilisierungszeit	Innerhalb von 3 Sekunden	
Nullbereich	Zur Kapazität durch Abzug.	
Maximale Überlast	150%	
Fehleranzeigen:	<ul style="list-style-type: none"> <li>"E" - Überlast, Unterlast, Über-/Unterlast beim Einschalten</li> <li>"CALE" - Kalibrierungsfehler</li> <li>"UnSt" - Beim Einschalten instabil</li> <li>"ErrE" - Speicherfehler</li> <li>"Lo bat OFF" - Ausschalten bei schwacher Batterie</li> <li>"Lo Line OFF" - Ausschalten bei niedriger Leitungsspannung (Netzadapter)</li> </ul>	
Unterlastanzeige	Negativer Wert	
Automatisches Ausschalten	4 Minuten ohne Aktivität (nur Batteriebetrieb)	
Batteriebetriebszeit	360 Stunden	
Betriebstemperaturbereich	41 ° bis 104 °F / 5 ° bis 40 °C bei 10 % bis 80 % relativer Feuchte, nicht kondensierend	
Kabellänge	1,8 m / 72" (ausgezogen)	
Anzeige	4-stellig, LCD, 0,8"/20 mm hoch	
Wä gebrückengröße	520 mm L x 400 mm B x 75 mm H / 20,5" x L x 15,7" B x 3" H	
Indikatorgröße	210 mm L x 91 mm B x 39 mm H / 8,27" L x 3,58" B x 1,54" H	
Batterieleistungsanforderungen	3 Alkalibatterien der Größe „C“ (LR14)	
Netzadapter	9-12 Volt DC, 100 mA	
Nettogewicht	14 kg / 31 lb	
Versandgewicht	15.5 kg / 34 lb	
Versandkartongröße	600 mm L x 480 mm B x 230 mm H / 24" L x 19" B x 9" H	

DE-12 TISCHWAAGE DER SD-SERIE

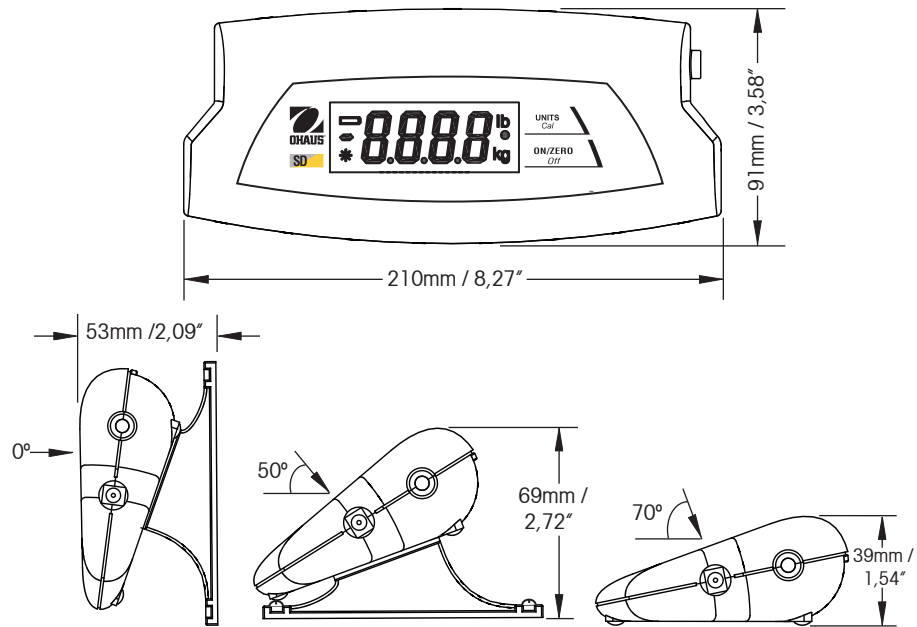


Abbildung 5. Gesamtabmessungen des Indikators, verfügbare Betrachtungswinkel.

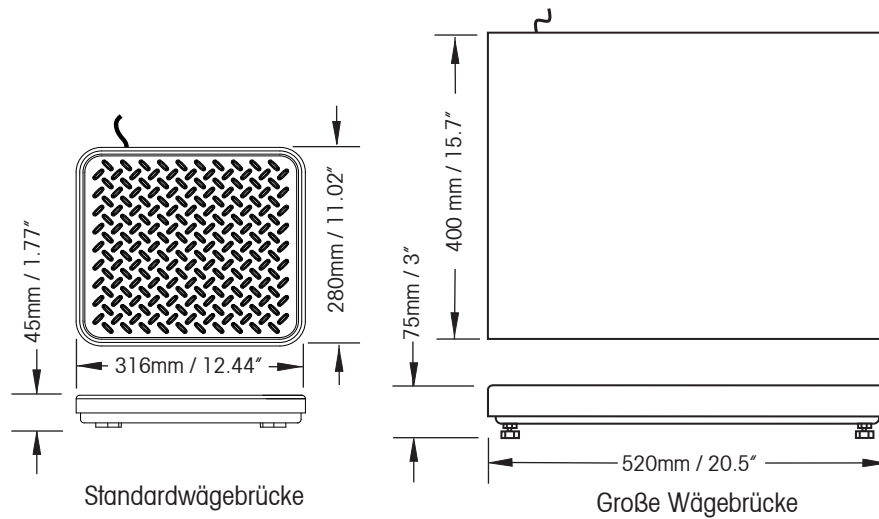


Abbildung 6. Gesamtabmessungen der Wägebrücke.

### **BESCHRÄNKTE GARANTIE**

Auf Ohaus-Produkte wird für die Dauer des Garantiezeitraums eine Garantie gegen Material- und Herstellungsmängel gegeben. Während des Garantiezeitraums wird Ohaus kostenlos jegliche Komponente(n), die sich als defekt erweist (erweisen), reparieren oder nach eigenem Ermessen ersetzen, wenn das Produkt bei Vorauszahlung der Versandkosten an Ohaus zurückgeschickt wird. Die Garantie gilt nicht, wenn das Produkt durch einen Unfall oder durch Missbrauch beschädigt wurde, wenn es radioaktiven oder korrodierenden Materialien ausgesetzt wurde, wenn Fremdkörper das Innere des Produkts durchdrungen haben oder wenn es auf Grund einer Reparatur oder Modifikation beschädigt wurde, die nicht von Ohaus durchgeführt wurde. Anstelle des Datums der Produktregistrierung beginnt der Garantiezeitraum am Datum der Lieferung an den Vertragshändler. Die Ohaus Corporation gibt keine sonstige ausdrückliche oder stillschweigende Garantie. Die Ohaus Corporation ist nicht für irgendwelche Folgeschäden haftbar. Da die Gesetzgebung in Bezug auf Garantien von Bundesstaat zu Bundesstaat und von Land zu Land unterschiedlich ist, wenden Sie sich bitte an Ohaus oder Ihren örtlichen Ohaus-Händler, wenn Sie weitere Einzelheiten erfahren wollen.

## **Bilancia da banco serie SD Ohaus**

### **MANUALE D'ISTRUZIONI**

- I contenuti del presente manuale si applicano a tutti i modelli della bilancia da banco serie SD.
- I pesi di taratura non vengono forniti con questo prodotto.
- Per risultati ottimali, utilizzare il prodotto alla temperatura di funzionamento specificata.
- Per una precisione ottimale, effettuare le misurazioni in un ambiente pulito, in assenza di campi elettrostatici e magnetici, polvere e sporco, umidità, vibrazioni e correnti d'aria.
- Utilizzare la bilancia da banco serie SD con attenzione, caricando con cura gli articoli da pesare al centro della piattaforma. Se si evita di trattare la bilancia rudemente si contribuirà ad allungarne la durata.

## Introduzione

Il presente manuale tratta del funzionamento delle bilance da banco serie SD Ohaus.

## Disimballaggio

La bilancia da banco serie SD Ohaus è dotata dei seguenti componenti:

- Indicatore
- Alimentatore di rete
- Base della bilancia
- Questo manuale di istruzioni
- Staffe di montaggio
- Scheda di garanzia

## Livellamento della piattaforma della bilancia

La base della bilancia deve essere posizionata su una superficie stabile e orizzontale prima del funzionamento. I modelli SD75L e SD200L sono dotati di piedini di livellamento regolabili. Regolare i quattro piedini di livellamento al di sotto della piattaforma per livellarla.

## Opzioni di alimentazione

### Funzionamento dell'alimentatore di rete

- Quando l'alimentazione a batteria non è disponibile, per avviare il sistema è possibile utilizzare l'alimentatore di rete (incluso).
- Controllare che l'alimentazione di ingresso CA contrassegnata sull'alimentatore di rete corrisponda alla sorgente di alimentazione disponibile.
- Collegare la presa tonda dell'alimentatore di rete al jack di ingresso dell'alimentazione a lato dell'alloggiamento dell'indicatore. Vedere la Figura 1.
- Inserire l'alimentatore di rete in una presa di alimentazione.

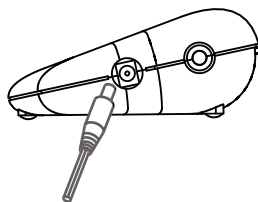


Figura 1. Collegamento della presa dell'alimentatore all'indicatore.

### Installazione della batteria (opzionale)

- Aprire il coperchio della batteria nella parte inferiore dell'indicatore e installare le tre batterie alcaline "C" (LR14) nel compartimento. Orientare le batterie come illustrato sulla parte interna del coperchio. Chiudere il coperchio della batteria.

**NOTA:** le batterie non sono incluse.

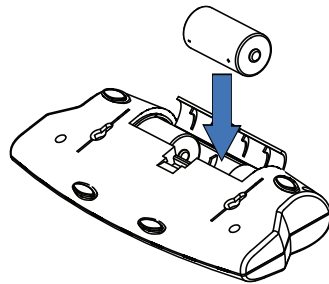


Figura 2. Installazione della batteria.



**ATTENZIONE: non disfarsi delle batterie usate nei contenitori per la raccolta dei rifiuti normali. Attenersi ai requisiti di smaltimento riciclaggio corretto in conformità con le norme e le disposizioni locali.**

### Montaggio dell'indicatore ed opzioni di disposizione

- **Disposizione del piano d'appoggio:**

L'indicatore può essere posizionato su una superficie piana senza l'ausilio di hardware aggiuntivo. Quattro piedini di gomma consentono di ridurre lo scivolamento su gran parte delle superfici.

- **Montaggio diretto a parete:**

L'indicatore può essere montato direttamente su parete utilizzando due viti (non incluse). Selezionare viti delle dimensioni appropriate che si adattino ai fori sulla parte inferiore dell'alloggiamento dell'indicatore. Vedere la Figura 3. Quando si effettua il montaggio su una parete priva di una struttura resistente, utilizzare hardware di ancoraggio appropriato.

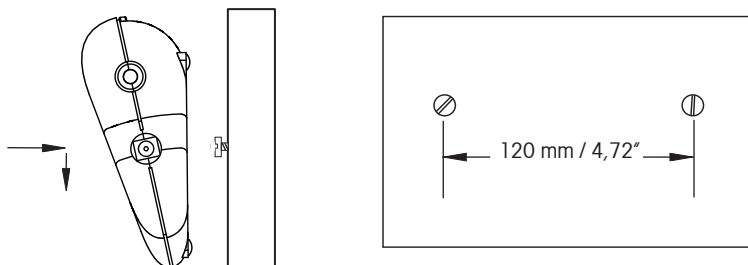


Figura 3. Esecuzione del montaggio a parete diretto.

- **Montaggio su piano/a parete con staffe:**

Collegare due staffe di montaggio come illustrato in Figura 4. Posizionare l'indicatore laddove desiderato sulla parete o sul piano. Installare due viti (non fornite) agli estremi di ogni staffa per fissarli alla superficie. Quando si effettua il montaggio su una parete priva di una struttura resistente, utilizzare hardware di ancoraggio appropriato.

**NOTE DI MONTAGGIO:**

1. Quando si attaccano le staffe: inserire gli spinotti tondi nei fori sulla parte inferiore dell'indicatore e far scorrere ogni staffa all'indietro per bloccarla in posizione.
2. Per fornire un angolo di visuale ottimale, è possibile attaccare le staffe di montaggio in due differenti orientamenti.
3. Alcune posizioni di montaggio possono richiedere che le staffe vengano attaccate alla superficie di lavoro prima di essere attaccate all'indicatore.

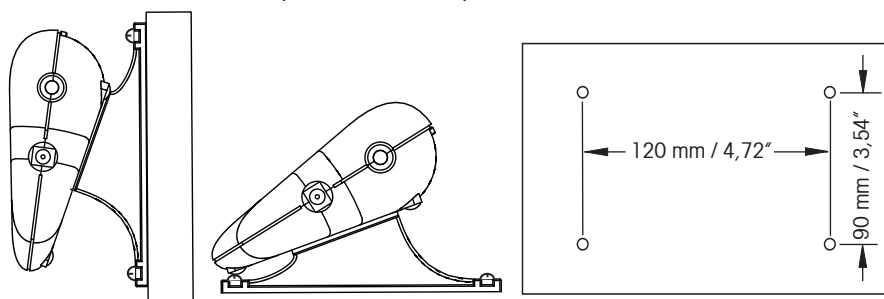


Figura 4. Esecuzione del montaggio su piano e a parete con staffe.

## Caratteristiche e funzionamento del prodotto



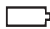
Figura 5. Controlli del pannello dell'indicatore.

### Tastierino a due pulsanti

- **Pulsante ON/ZERO Off (Acceso/Zero spento):** una pressione breve accende la bilancia quando è spenta. Quando la bilancia è accesa, una pressione breve l'azzerà e una lunga la spegnerà.
- **Pulsante UNITS Cal (Taratura unità):** una pressione breve modifica l'unità di pesa. Una pressione lunga avvia il processo di taratura.

### Finestra del display

- **Caratteri numerici grandi a 7 segmenti:** i valori del peso (massa) vengono visualizzati utilizzando 4 cifre incluso il segno negativo e le cifre decimali. Anche i prompt per la taratura e possibili condizioni di errore vengono visualizzati utilizzando queste cifre.
- **Indicazione di lettura stabile:** per indicare quando la lettura è stabile, viene visualizzato un \* nell'angolo in basso a sinistra del display.
- **Indicazione di unità di peso:** l'unità di peso selezionata viene visualizzata sul lato destro del display.

- **Indicatore di batteria in esaurimento:** il simbolo della batteria sul lato sinistro del display  indica una condizione di batteria in esaurimento. Una volta in primo luogo visualizzate, circa 12 ore del funzionamento rimangono. Quando la batteria è completamente scarica, la bilancia visualizza momentaneamente il messaggio "Lo bAt" (Batteria in esaurimento) e si spegne.

### Funzionamento

- **Test di accensione:** quando si preme il pulsante **ON/ZERO Off (Acceso/Zero spento)**, la bilancia si accende e tutti i segmenti del display vengono visualizzati per un breve periodo di tempo a cui segue una revisione del software. Quindi il display si azzerava.
- **Funzione Zero:** premendo il pulsante **ON/ZERO Off (Acceso/Zero spento)**, il display della bilancia ritorna a zero. Quando si aggiunge una massa addizionale, è possibile utilizzare il pulsante **ON/ZERO Off (Acceso/Zero spento)** ripetutamente fino a raggiungere la piena capacità della bilancia. Quando si utilizza un contenitore, per simulare una funzione di tara è possibile utilizzare il pulsante **ON/ZERO Off (Acceso/Zero spento)**. È possibile aggiungere un'ulteriore massa come peso NETTO. Quando si rimuovono sia il campione che il contenitore dalla bilancia, potrebbe essere visualizzato un valore negativo. Prima del successivo uso, azzerare nuovamente la bilancia.  
**NOTA:** il pulsante **ON/ZERO Off (Acceso/Zero spento)** eseguirà una vera funzione di impostazione zero quando i valori visualizzati sono entro il  $\pm 2\%$  della piena capacità. Superiore a 2%, la gamma è limitata a capacità completa da sottrazione.
- **Valori negativi:** quando si rimuove un carico dalla bilancia, qualunque valore precedentemente azzerato viene visualizzato come numero negativo. Per tornare al normale funzionamento, i valori negativi vengono cancellati dal display premendo il pulsante **ON/ZERO Off (Acceso/Zero spento)**.
- **Sovraccarico:** se il peso applicato supera la capacità della bilancia, viene visualizzata la lettera "E". Rimovendo il carico la bilancia tornerà al normale funzionamento.

- **Spegnimento automatico:** per allungare la durata della batteria, la bilancia si spegne automaticamente dopo circa quattro minuti di inattività. Questa funzione è attiva solo durante il funzionamento della batteria.

### Pesa dinamica

1. Con la piattaforma vuota, premere il pulsante UNITS Cal (Unità / Taratura) finché l'indicazione • non lampeggia accanto all'unità di misura desiderata.



2. Posizionare una massa sulla piattaforma. La bilancia visualizzerà "-A-".



**NOTA:** Se si utilizza un contenitore, premere ON/ZERO Off (Acceso/Zero spento) per tarare il peso e tornare allo zero.

3. Con una massa sulla piattaforma o sul contenitore, premendo il tasto UNITS Cal (Unità / Taratura) si avvia il conteggio alla rovescia di media da 5 secondi.



4. Viene quindi visualizzato il peso medio. L'indicatore • smette di lampeggiare quando il processo è completo.



5. Il display lo visualizza fino a quando non si preme un pulsante.
6. Per ripetere il processo premere UNITS Cal (Unità / Taratura) con una massa sulla piattaforma o nel contenitore.
7. Per uscire, rimuovere la massa dalla piattaforma o dal contenitore e premere UNITS Cal (Unità / Taratura).

## Taratura

Per risultati ottimali, tarare la bilancia a intervalli regolari (i pesi di taratura non vengono forniti con la bilancia).

### ATTENZIONE






**PRESTARE LA MASSIMA ATTENZIONE DURANTE LA GESTIONE DEI PESI DI TARATURA, DAL MOMENTO CHE SONO MOLTO PESANTI. METODI DI SOLLEVAMENTO IMPROPRI DEI PESI DI TARATURA POSSONO CAUSARE LESIONI PERSONALI. PER OTTENERE IL PESO DI TARATURA RICHIESTO, È POSSIBILE UTILIZZARE PIÙ PESI.**

1. Prima di iniziare la procedura di taratura, far riscaldare e stabilizzare la bilancia per almeno due minuti.
2. Per selezionare l'unità di pesa da utilizzare per la taratura, premere il pulsante **UNITS Cal (Taratura unità)** finché non viene visualizzata la corretta unità.

**NOTA:** il processo di taratura può essere interrotto in qualsiasi momento premendo il pulsante **UNITS Cal (Taratura unità)** o spegnendo la bilancia. Prima di avviare la taratura, devono essere disponibili i pesi di taratura del corretto intervallo (vedere la tabella delle specifiche). La taratura non è disponibile nella modalità di pesa dinamica.

3. Tenere premuto il pulsante **UNITS Cal (Taratura unità)** fino a quando non viene visualizzato il messaggio "CAL" (Taratura).

4. Con la piattaforma vuota, premere il pulsante **ON/ZERO Off (Acceso/Zero spento)** per catturare lo zero della bilancia. Il display visualizzerà "-C-".

5. Una volta catturato lo zero, viene visualizzato il peso di taratura dell'intervallo richiesto con l'unità selezionata. 
6. Posizionare il peso di taratura sulla piattaforma e premere il pulsante **ON/ZERO Off (Acceso/Zero spento)**. Il display visualizzerà di nuovo "-C-". 
7. Dopo aver catturato l'intervallo, il display tornerà alla normale modalità di pesa. 

**NOTA:** se è stato applicato un peso di taratura non corretto, verrà visualizzato il messaggio "CAL E". Ripeti la procedura usando il peso corretto di calibratura.

**Blocco della taratura:** mediante un interruttore interno, è possibile bloccare (disabilitare) la funzione di taratura e impedire una ritaratura non autorizzata.

1. Con la bilancia accesa, rimuovere la sezione posteriore dell'alloggiamento dell'indicatore svitando le quattro viti nella parte inferiore.
2. Far scorrere l'interruttore sul PCB (contrassegnato con SW3) alla posizione contrassegnata con "CAL LOCK" (Blocco taratura).
3. Rimontare l'alloggiamento.
4. Se richiesto, posizionare le evidenti etichette sigillanti del pestello sopra i fori della vite o sopra i margini dell'alloggiamento.

Se è necessaria una ritaratura successiva, sarà necessario riaprire l'alloggiamento e rimettere l'interruttore di blocco in posizione originale.

**NOTA:** quando l'interruttore di blocco è impostato nella posizione CAL LOCK (Blocco taratura), l'intervallo zero di accensione è ridotto al 10% della piena capacità.

IT-10 BILANCIA DA BANCO SERIE SD

**Specifiche (Modelli Bassi Standard)**

<b>Modello</b>	<b>SD35</b>	<b>SD75</b>	<b>SD200</b>
Capacità x Leggibilità	35 x 0,02 kg 77 x 0,05 libbre	75 x 0,05 kg 165 x 0,1 libbre	200 x 0,1 kg 440 x 0,2 libbre
Unità di pesa	kg, lb		
Modalità	Pesare semplice, pesare dinamico		
Pesi di taratura	25 kg/50 libbre	50 kg/100 libbre	100 kg/200 libbre
Tempo di stabilizzazione	Entro 3 secondi		
Intervallo zero	A capienza da sottrazione.		
Sovraccarico massimo	150%		
Indicazioni di errore "E" "CALE" "UnSt" "ErrE" Lo bat OFF" "Lo Line OFF"	- Sovraccarico, Sottocarico, Attivazione sovraccarico/sottocarico - Errore di taratura - Instabilità all'accensione - Errore memoria - Interruzione: batteria quasi scarica - Interruzione: bassa tensione di linea (alimentazione di rete)		
Indicazione di sottocarico	Valore negativo		
Spegnimento automatico	4 minuti senza attività (solo funzionamento a batteria)		
Tempo operativo della batteria	360 ore		
Temperatura di funzionamento	da 5 a 40 °C (da 41 a 104 °F) dal 10% al 80% di umidità relativa, senza condensa		
Lunghezza del cavo	1,8 m /72" (non avvolto)		
Display	4 cifre, LCD, altezza 20 mm/0,8"		
Dimensioni della base della bilancia	lunghezza x larghezza x altezza: 316 mm x 280 mm x 45 mm / 12,4" x 11" x 1,77"		
Dimensioni dell'indicatore	lunghezza x larghezza x altezza: 210 mm x 91 mm x 39 mm / 8,27" x 3,58" x 1,54"		
Requisiti di alimentazione della batteria	3 batterie alcaline "C" (LR14)		
Alimentatore di rete	9-12 Volt CC, 100 mA		
Peso netto	2,6 kg /5,8 libbre	3,3 kg / 7,3 libbre	
Peso di spedizione	3,7kg / 8,1 libbre	4,3 kg / 9,5 libbre	
Dimensioni della scatola di imballo	lunghezza x larghezza x altezza: 380 mm x 100 mm x 465 mm / 15" x 3,94" x 18,3"		

**Specifiche (Grandi Modelli Bassi)**

<b>Modello</b>	<b>SD75L</b>	<b>SD200L</b>
Capacità x Leggibilità	75 x 0,05 kg 165 x 0,1 libbre	200 x 0,1 kg 440 x 0,2 libbre
Unità di pesa	kg, lb	
Modalità	Pesare semplice, pesare dinamico	
Pesi di taratura	50 kg/100 libbre	100 kg/200 libbre
Tempo di stabilizzazione	Entro 3 secondi	
Intervallo zero	A capienza da sottrazione.	
Sovraccarico massimo	150%	
Indicazioni di errore	<ul style="list-style-type: none"> <li>"E" - Sovraccarico, Sottocarico, Attivazione sovraccarico/sottocarico</li> <li>"CALE" - Errore di taratura</li> <li>"UnSt" - Instabilità all'accensione</li> <li>"ErrE" - Errore memoria</li> <li>Lo bat OFF" - Interruzione: batteria quasi scarica</li> <li>"Lo Line OFF" - Interruzione: bassa tensione di linea (alimentazione di rete)</li> </ul>	
Indicazione di sottocarico	Valore negativo	
Spegnimento automatico	4 minuti senza attività (solo funzionamento a batteria)	
Tempo operativo della batteria	360 ore	
Temperatura di funzionamento	da 5 a 40 °C (da 41 a 104 °F) dal 10% al 80% di umidità relativa, senza condensa	
Lunghezza del cavo	1,8 m /72" (non avvolto)	
Display	4 cifre, LCD, altezza 20 mm/0,8"	
Dimensioni della base della bilancia	lunghezza x larghezza x altezza: 520 mm x 400 mm x 75 mm / 20,5" x 15,7" x 3"	
Dimensioni dell'indicatore	lunghezza x larghezza x altezza: 210 mm x 91 mm x 39 mm / 8,27" x 3,58" x 1,54"	
Requisiti di alimentazione della batteria	3 batterie alcaline "C" (LR14)	
Alimentatore di rete	9-12 Volt CC, 100 mA	
Peso netto	14 kg / 31 libbre	
Peso di spedizione	15.5 kg / 34 lb	
Dimensioni della scatola di imballo	lunghezza x larghezza x altezza: 600 mm x 480 mm x 230 mm / 24" x 19" x 9"	

IT-12 BILANCIA DA BANCO SERIE SD

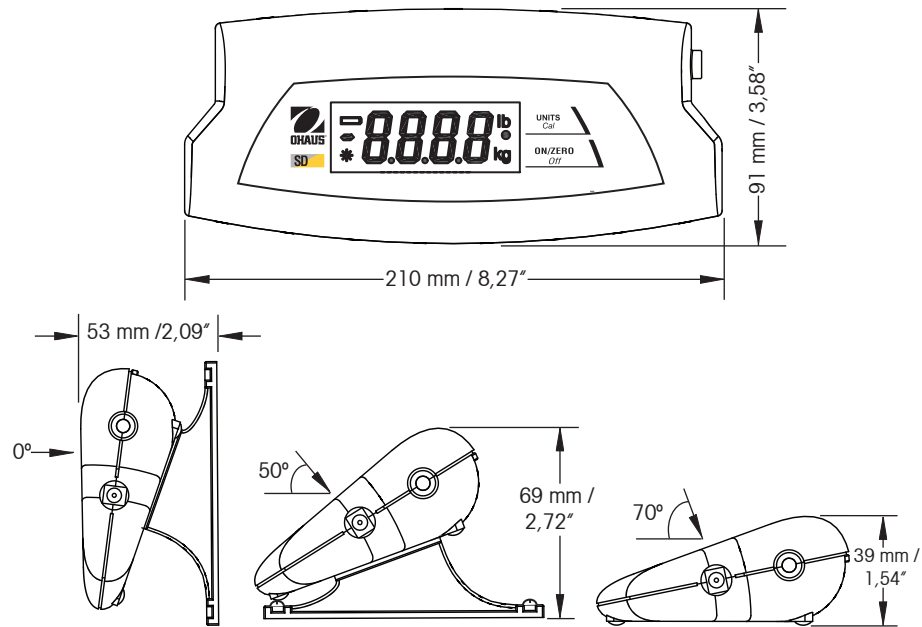


Figura 5. Dimensioni complessive dell'indicatore, angoli di visuale disponibili.

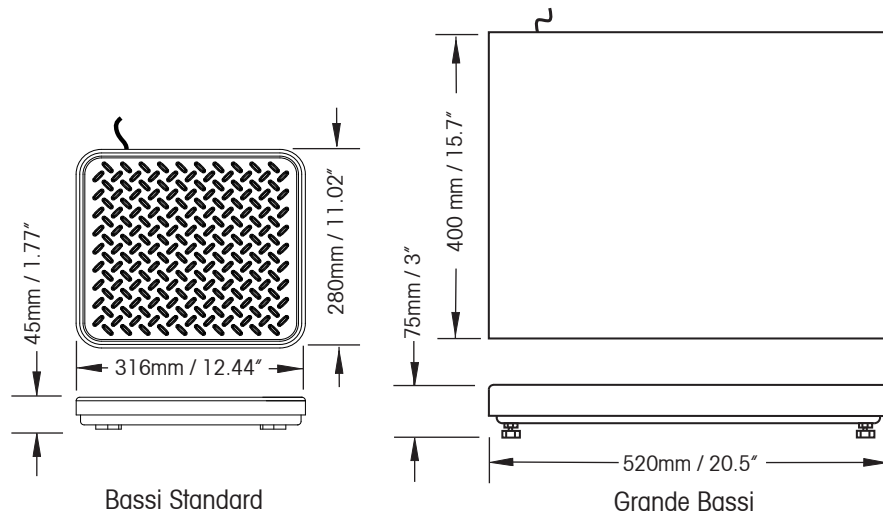


Figura 6. Dimensioni complessive della base della bilancia.

### **GARANZIA LIMITATA**

I prodotti Ohaus sono garantiti contro difetti nei materiali e nella lavorazione per tutta la durata della garanzia. Durante il periodo di garanzia, Ohaus riparerà o, a sua scelta, sostituirà tutti i componenti che siano difettosi senza costo alcuno, purché il prodotto venga rinviato, con spese prepagate, alla Ohaus. Questa garanzia non è valida se il prodotto è stato danneggiato o trattato con poca cura, esposto a materiali radioattivi o corrosivi, se vi siano penetrati materiali estranei o in seguito ad assistenza eseguita da personale non Ohaus. In assenza di registrazione del prodotto, il periodo di garanzia avrà inizio dal momento della spedizione del prodotto al rivenditore autorizzato. Non viene rilasciata nessun'altra garanzia espressa o implicita da parte della Ohaus Corporation. Ohaus Corporation non sarà responsabile per qualsiasi danno indiretto. Vista la diversità di normativa tra i vari Stati in termini di garanzia, contattare direttamente la Ohaus o il rivenditore locale Ohaus per ulteriori dettagli.