



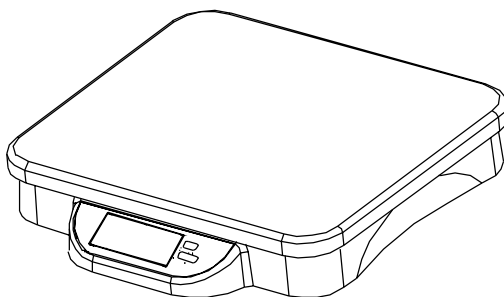
**Catapult™ 1000 Series
Instruction Manual**

**Serie Catapult™ 1000
Manual de instrucciones**

**Catapult™ série 1000
Manuel d'instructions**

**Catapult™ 1000-Serie
Bedienungsanleitung**

**Serie Catapult™ 1000
Manuale di istruzioni**



1. INTRODUCTION

This manual contains installation, operation and maintenance instructions for the Catapult™ 1000 Series Scales. Please read the manual completely before using the scale.

1.1 Safety Precautions

Please follow these safety precautions:

- Verify that the AC Adapter input voltage matches the local AC power supply.
- Do not immerse the scale in water or other liquids.
- Do not operate the scale in hostile environments.
- Do not drop loads on the platform.
- Do not place the scale upside down on the pan.
- Service should only be performed by authorized personnel
- Disconnect the scale from the power supply when cleaning

1.2 Controls

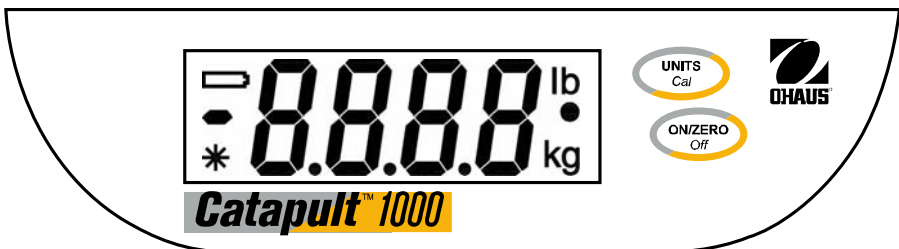




Figure 1-1. Controls.

TABLE 1-1. CONTROL FUNCTIONS.

Button		
Primary Function (Short Press)	<p align="center">ON/ZERO</p> Turns scale ON. If scale is On: Sets zero. Simulates a tare operation.	<p align="center">UNITS</p> Changes the weighing unit. Enters Dynamic Weighing Mode. Initiates countdown in Dynamic Weighing mode.
Secondary Function (Long Press)	<p align="center">Off</p> Turns scale off.	<p align="center">Cal</p> Initiates calibration process.

1.2 Display Window

1.2.1 Large 7-Segment Numeric Characters:

Weight (mass) values are shown using 4 digits including negative sign and decimal places. Prompts for calibration and possible error conditions are also shown using these digits.

1.2.2 Stable Reading Indication:

A * will appear in the lower left corner of the display to indicate when the reading is stable.


1.2.3 Weighing Unit Indication:

The weighing unit selected appears on the right side of the display

1.2.3 Dynamic Weighing Mode Indication:

A • will flash next to the selected unit during this mode.

1.2.3 Low Battery Indication:

The battery symbol on the left side of the display  indicates a low battery condition. When first displayed, approximately 12 hours of operation remain. When the battery is fully depleted, the scale will momentarily display "Lo bAt" and shut off.

2. INSTALLATION

2.1 Package Contents

- Scale
- Power Adapter
- Instruction Manual
- Warranty Card

2.2 Location

Use the scale on a firm, steady surface. Avoid locations with excessive air current, vibrations, heat sources, or rapid temperature changes.

2.3 Power

2.3.1 AC Power

The AC adapter (included) may be used to power the scale when battery power is not available. Connect the AC adapter plug to the input jack. Then plug the AC adapter into a properly grounded power outlet.

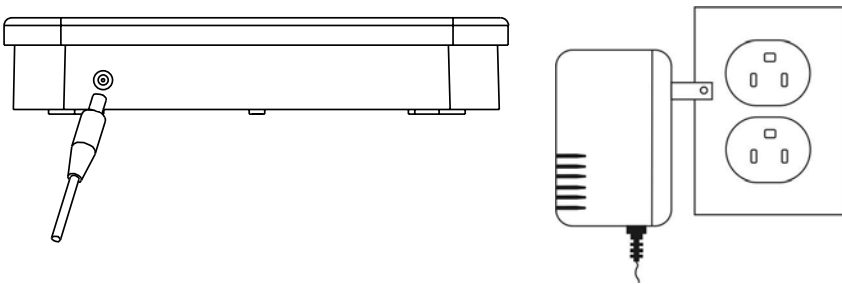


Figure 2-1. Power Connection.

2.3.2 Battery Installation (Optional)

Open the battery cover on the bottom of the scale and install three "C" size (LR14) alkaline or rechargeable batteries into the compartment. Orient the batteries as shown on the inside of the compartment. Close the battery cover.

NOTE: Batteries are not included.

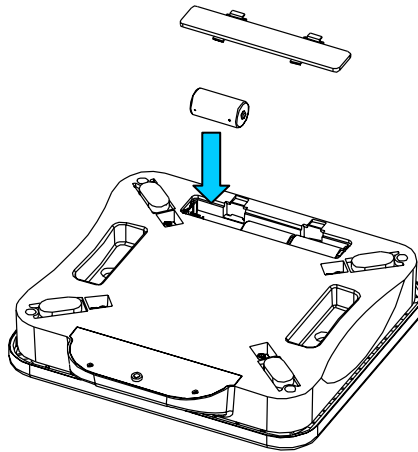


Figure 2-2. Battery Installation.



CAUTION: Do not dispose of used batteries in domestic waste. Follow the proper disposal or recycling requirements in accordance with local laws and regulations.

3. OPERATION

3.1 Turning Scale On/Off

To turn the scale on, press the **ON/ZERO Off** button. The scale performs a display test, momentarily displays the model/software version, and then enters the active weighing mode.

To turn the scale off, press and hold **ON/ZERO Off** button until OFF is displayed.

3.2 Zero Operation

By pressing the **ON/ZERO Off** button, the scale display returns to zero. When adding additional mass, the **ON/ZERO Off** Button may be used repeatedly until the full capacity of the scale is reached. When a container is used, the **ON/ZERO Off** button may be used to simulate a Tare function. Additional mass may then be added as a

NET weight. When removing both the sample and container from the scale, a negative value may be displayed. Zero the scale again before subsequent usage.

NOTE: The **ON/ZERO Off** button will perform a true zero setting function when displayed values are within $\pm 2\%$ of full capacity. Above 2%, the range is limited to full capacity by subtraction.

3.3 Changing Units of Measure

Press the **UNITS Cal** button to display the next available measuring unit.

3.4 Auto Shut-Off

To extend battery life, the scale will automatically turn off after approximately four minutes of inactivity. This feature is only active during battery operation.

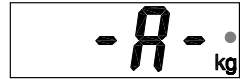
3.5 Dynamic Weighing

With the platform empty, short press the **UNITS Cal** button to cycle through the units. Dynamic mode is active when the indicator • is flashing.

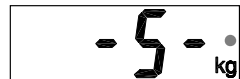


Place a mass on the platform. The scale will show "-A-".

NOTE: If using a container, press **ON/ZERO Off** to tare the weight and return to zero.



With a mass on the platform or container, a short press of **UNITS Cal** will start the averaging countdown from 5 seconds.



The averaged weight is then displayed. The indicator • stops flashing when the process is complete.



The display will hold until a button is pressed.

To repeat the process press **UNITS Cal** with a mass on the platform or container.

To Exit, remove the mass from the platform or container and press **UNITS Cal**.

4. CALIBRATION

For best results, calibrate the scale at regular intervals. (Calibration weights are not supplied with the scale.)

CAUTION



USE EXTREME CARE WHEN HANDLING CALIBRATION WEIGHTS AS THEY ARE VERY HEAVY. IMPROPER LIFTING METHODS OR MISUSE OF CALIBRATION WEIGHTS MAY RESULT IN PERSONAL INJURY. MULTIPLE WEIGHTS MAY BE USED TO EQUAL THE REQUIRED CALIBRATION WEIGHT

NOTE:

- Ensure the appropriate calibration masses are available before beginning calibration (see Table 4-1).
- Ensure that the scale is level and stable during the entire calibration process.
- Calibration is unavailable in Dynamic Weighing Mode.
- Allow the scale to warm up for at least 2 minutes after stabilizing to room temperature.
- To abort calibration, press **UNITS Cal**, or power off the scale.

TABLE 4-1. CALIBRATION WEIGHTS.

Model	Calibration weight (kg/lb)
C11P9	9 / 20
C11P20	20 / 40
C11P75	50 / 100

4.1 Span Calibration

Span Calibration uses two points to adjust the scale. The first point is the zero value where there is no weight on the scale. The second point is the Span value where a calibration mass is placed on the scale.

To select the weighing unit to be used for calibration, press the **UNITS Cal** button until the correct unit is displayed.

Press and hold the **UNITS Cal** button until "CAL" is displayed.



With the platform empty, press the **ON/ZERO Off** button to capture the scale zero. The display will show “-C-”.



After the zero is captured, the required span calibration weight in the selected unit is displayed.



Place the calibration weight on the platform and press **ON/ZERO Off** button. The display will again show “-C-”.



After span capture, the display will return to the normal weighing mode.



NOTE: The message “CAL E” will appear if an incorrect calibration weight was applied. Repeat the procedure using the correct calibration weight.

4.2 Calibration Locking

By use of an internal switch, the calibration function may be locked (disabled), and unauthorized recalibration prevented.

With the scale powered off, remove the cover under the indicator by unscrewing the two screws at the bottom.

Slide the switch on the PCB (marked SW3) to the position marked “CAL LOCK”.

Reassemble the cover.

If required, place tamper evident sealing labels over the screw holes or over the housing edges.

If later recalibration is required, the cover will need to be reopened and the lock switch returned to the original position.

NOTE: When the lock switch is set to the CAL LOCK position, the power-on zero range is reduced to 10% of full capacity.

5. MAINTENANCE

Caution: before cleaning, turn off the scale, and remove the AC adapter.

5.1 Cleaning

The housing may be cleaned with a cloth dampened with a mild detergent if necessary.

Do not use solvents, chemicals, alcohol, ammonia or abrasives to clean the housing or control panels.

5.2 Troubleshooting

The following table lists common problems and possible causes and remedies. If the problem persists, contact Ohaus or your authorized dealer.

TABLE 5.1. TROUBLESHOOTING.

Symptom	Possible Cause(s)	Remedy
Scale will not turn on	No power to scale Battery power used up	Verify connections and voltage. Verify battery polarity
Poor accuracy	Improper calibration. Unstable environment	Perform calibration. Move scale to suitable location
Unable to calibrate	CAL LOCK set to ON Unstable environment Incorrect calibration mass	Set CAL LOCK to OFF (see section 4.2) Move the scale to suitable location Use correct calibration mass
Scale displays "Lo bAt"	Battery is discharged	Connect power or change the batteries
Scale displays "Lo Line"	Low Line voltage	Verify source voltage
Scale displays "E"	Weight on pan exceeds capacity	Remove weight from the pan
Scale displays "CALE"	Incorrect Calibration weight on pan	Use correct calibration weight
Scale displays "UnSt"	Scale is unstable at power up.	Relocate scale to a more stable environment

5.3 Service Information

If the troubleshooting section does not resolve or describe your problem, contact your authorized Ohaus service agent. For service assistance or technical support in the United States call toll-free 1-800-526-0659 between 8.00 AM and 5:00 PM EST. An Ohaus product service specialist will be available to provide assistance. Outside the USA, please visit our web site, **www.ohaus.com** to locate the Ohaus office nearest you.

6. TECHNICAL DATA

The technical data is valid under the following ambient conditions:

- Ambient temperature: 5°C to 40°C / 41° to 104° F
- Relative humidity: 10% to 80% relative humidity, non-condensing

6.1 Specifications

TABLE 6-1. SPECIFICATIONS.

Model	C11P9		C11P20	C11P75
Capacity x Readability	9 kg x 0.005 kg 20 lb x 0.01 lb		20 kg x 0.01 kg 44 lb x 0.02 lb	75 kg x 0.05 kg 165 lb x 0.1 lb
Weighing Units	kg, lb			
Modes	Simple Weighing, Dynamic Weighing			
Keypad	2-button mechanical keys			
Calibration Weights	9 kg / 20 lb	20 kg / 40 lb	50 kg / 100 lb	
Display	4-digit 7-segment, 20mm / 0.8 in characters			
Display Indicators	Stability, weighing unit, dynamic weighing, battery status			
Tare range	To capacity by subtraction			
Stabilization Time	≤ 3 seconds			
Maximum Overload	150%			
Operating temperature/humidity range	5° to 40°C / 41° to 104°F at 10% to 80% relative humidity, non-condensing			
Power Requirements	9-12 VDC 100mA AC Adapter (supplied) 3 °C° Alkaline or rechargeable batteries (LR14) optional			
Auto Shut-Off	4 minutes no activity (battery operation only)			
Typical Battery life	300 hours			
Scale Dimensions (mm / in)	316 x 316 x 60/ 12.4 x 12.4 x 2.36			

6.2. Drawings and Dimensions

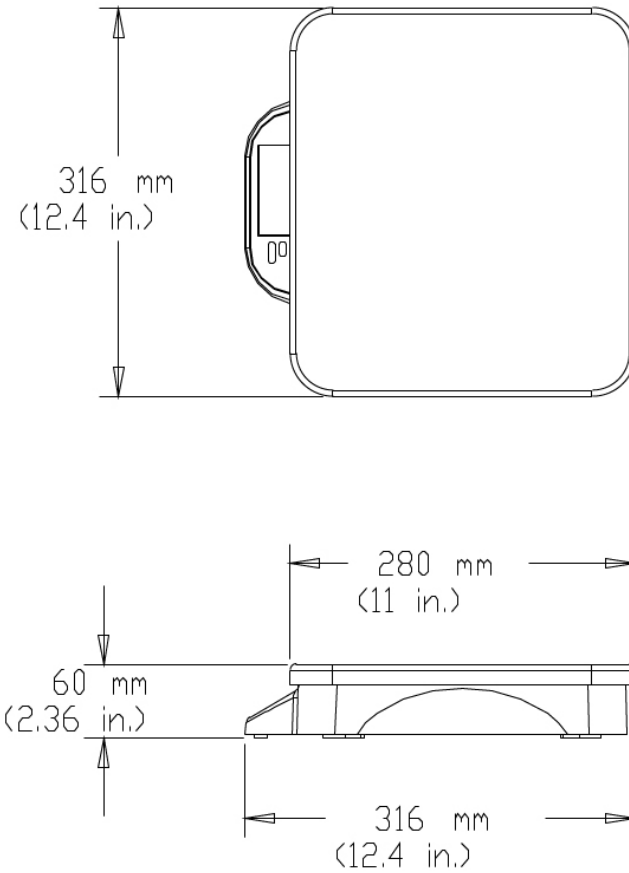




Figure 6-1. Catapult 1000 Series Overall Dimensions.

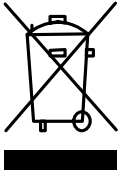
6.3. Compliance

Compliance to the following standards is indicated by the corresponding mark on the product.

Mark	Standard
	This product conforms to the EMC directive 2004/108/EC and the Low Voltage Directive 2006/95/EC. The complete declaration of Conformity is available from Ohaus Corporation
	AS/NZS4251.1 Emission; AS/NZS4252.1 Immunity

Disposal

In conformance with the European Directive 2002/96 EC on Waste Electrical and Electronic Equipment (WEEE) this device may not be disposed of in domestic waste. This also applies to countries outside the EU, per their specific requirements.



Please dispose of this product in accordance with local regulations at the collecting point specified for electrical and electronic equipment.

If you have any questions, please contact the responsible authority or the distributor from which you purchased this device.

Should this device be passed on to other parties (for private or professional use), the content of this regulation must also be related.

Thank you for your contribution to environmental protection.

FCC Note

This equipment has been tested and found to comply with the limits for a Class B digital device, pursuant to Part 15 of the FCC Rules. These limits are designed to provide reasonable protection against harmful interference when the equipment is operated in a commercial environment. This equipment generates, uses, and can radiate radio frequency energy and, if not installed and used in accordance with the instruction manual, may cause harmful interference to radio communications. Operation of this equipment in a residential area is likely to cause harmful interference in which case the user will be required to correct the interference at his own expense.

Industry Canada Note

This Class B digital apparatus complies with Canadian ICES-003.

ISO 9001 Registration

In 1994, Ohaus Corporation, USA, was awarded a certificate of registration to ISO 9001 by Bureau Veritas Quality International (BVQI), confirming that the Ohaus quality management system is compliant with the ISO 9001 standard's requirements. On May 15, 2003, Ohaus Corporation, USA, was re-registered to the ISO 9001:2000 standard.

LIMITED WARRANTY

Ohaus products are warranted against defects in materials and workmanship from the date of delivery through the duration of the warranty period. During the warranty period Ohaus will repair, or, at its option, replace any component(s) that proves to be defective at no charge, provided that the product is returned, freight prepaid, to Ohaus. This warranty does not apply if the product has been damaged by accident or misuse, exposed to radioactive or corrosive materials, has foreign material penetrating to the inside of the product, or as a result of service or modification by other than Ohaus. In lieu of a properly returned warranty registration card, the warranty period shall begin on the date of shipment to the authorized dealer. No other express or implied warranty is given by Ohaus Corporation. Ohaus Corporation shall not be liable for any consequential damages.

As warranty legislation differs from state to state and country to country, please contact Ohaus or your local Ohaus dealer for further details.

1. INTRODUCCIÓN

Este manual contiene instrucciones de instalación, operación y mantenimiento para las básculas de la serie Catapult™ 1000. Por favor lea completamente el manual antes de usar la báscula.

1.1 Precauciones de seguridad

Por favor siga estas precauciones de seguridad:

- Verifique que el voltaje de entrada del adaptador de corriente alterna (CA) coincida con el voltaje del suministro de eléctrico CA local.
- No sumerja la báscula en agua u otros líquidos.
- No opere la báscula en ambientes hostiles.
- No deje caer objetos en la plataforma.
- No coloque la báscula al revés sobre el plato de pesaje.
- El mantenimiento debe ser realizado solamente por personal autorizado.
- Desconecte la báscula de la fuente de alimentación cuando la esté limpiando.

1.2 Controles

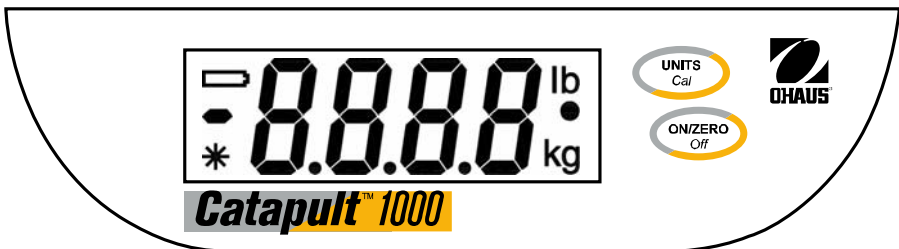




Figura 1-1. Controles.

TABLA 1-1. FUNCIONES DE CONTROL.

Botón		
Función primaria (Pulsación corta)	<p align="center">ON/ZERO</p> <p align="center"><i>Off</i></p> <p>Enciende la báscula. Si la báscula está encendida: Establece cero. Para simular una función de Tara.</p>	<p align="center">UNITS (UNIDADES)</p> <p>Cambia la unidad de peso. Entra en modo de pasaje dinámico. Inicia cuenta descendiente en modo de pasaje dinámico.</p>
Función secundaria (Pulsación larga)	<p align="center">Off</p> <p>Apaga la báscula.</p>	<p align="center">Cal</p> <p>Inicia el proceso de calibración.</p>

1.2 Ventana de visualización

1.2.1 Caracteres numéricos grandes de 7 segmentos:

Los valores de peso (masa) son mostrados utilizando cuatro dígitos incluyendo el signo negativo y los lugares decimales. Los avisos para calibración y condiciones posibles de error también se muestran utilizando estos dígitos.

1.2.2 Indicación de lectura estable:

En la esquina inferior izquierda de la pantalla aparecerá un * para indicar que la lectura es estable.


1.2.3 Indicación de unidad de pesaje:

La unidad de pesaje seleccionada aparece en el lado derecho de la pantalla

1.2.4 Indicación de modo de pesaje dinámico:

A • destellará en este modo al lado de la unidad seleccionada.

1.2.5 Indicación de batería baja:

El símbolo de batería en el lado izquierdo de la pantalla  indica una condición de batería baja. Cuando primero están exhibidas, sigue habiendo aproximadamente 12 horas de la operación. Cuando la batería esté totalmente agotada, la báscula mostrará momentáneamente "Lo bAt" y se apagará.

2. INSTALACIÓN

2.1 Contenido del paquete

- Báscula
- Adaptador de corriente
- Manual de instrucciones
- Tarjeta de garantía

2.2 Ubicación

Use la báscula en una superficie firme y segura. Evite lugares con corrientes de aire excesivas, vibraciones, fuentes de calor o cambios bruscos de temperatura.

2.3 Alimentación

2.3.1 Corriente CA

El adaptador de corriente (incluido) puede usarse para alimentar la báscula cuando la energía de la batería no esté disponible. Conecte el adaptador de corriente alterna al enchufe de entrada. Después conecte el adaptador de corriente a una salida de energía con conexión a tierra.

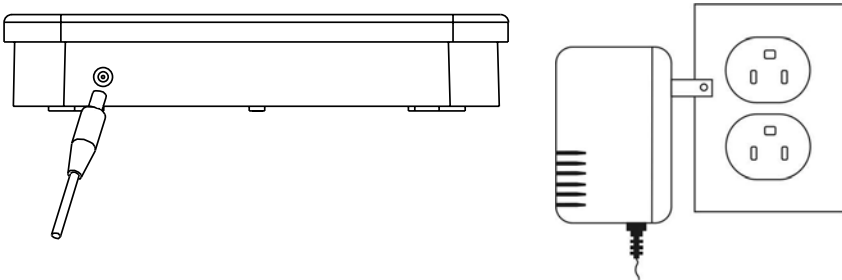


Figura 2-1. Conexión de corriente.

2.3.2 Instalación de la batería (opcional)

Abra la cubierta de baterías que está debajo de la báscula e instale tres baterías alcalinas o recargables de tamaño "C" (LR14) en el compartimiento. Coloque las baterías como se muestra en la parte interior del compartimiento. Cierre la cubierta de baterías. **NOTA:** Las baterías no están incluidas

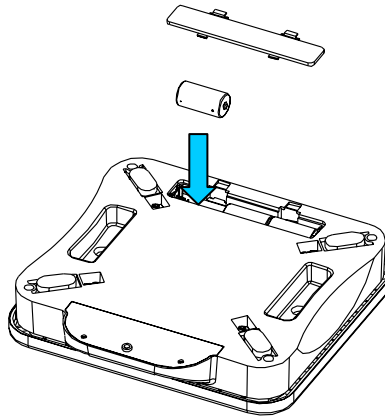
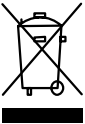


Figura 2-2. Instalación de baterías.



PRECAUCIÓN: no desechar las baterías con la basura del domestic. Siga los requerimientos de desecho y reciclaje de acuerdo a las leyes y normas locales.

3. OPERACIÓN

3.1 Apagado y encendido de la báscula

Para encender la báscula, presione el botón **ON/ZERO Off**. La báscula realiza una prueba de pantalla, muestra momentáneamente el modelo y la versión del software, después entra al modo de pesaje activo.

Para apagar la báscula, presione el botón **ON/ZERO Off** hasta que se muestre OFF.

3.2 Función de cero

Presionando el botón **ON/ZERO Off**, la pantalla de la báscula regresa a cero.

Cuando se agrega masa adicional, el botón **ON/ZERO Off** puede utilizarse repetidamente hasta que se alcance la capacidad total de la báscula. Cuando se utiliza un recipiente, el botón **ON/ZERO Off** puede utilizarse para simular una función de Tara. Entonces puede adicionarse masa como un peso NETO. Cuando se quiten

la muestra y el recipiente de la báscula, puede aparecer un valor negativo. Ponga en cero la báscula antes de continuar utilizándola.

NOTA: El botón **ON/ZERO Off** realizará una función de configuración de cero verdadero cuando los valores mostrados estén dentro del $\pm 2\%$ de la capacidad total. Por encima del 2%, la gama es limitada a la capacidad completa por la substracción.

3.3 Cambio de unidades de medida

Presione el botón **UNITS Cal** para mostrar la siguiente unidad de medida disponible.

3.4 Apagado automático

Para aumentar la vida de las baterías, la báscula se apagará automáticamente después de aproximadamente cuatro minutos de inactividad. Esta característica está activa únicamente durante la operación con baterías

3.5 Pesaje dinámico

Con la plataforma vacía, presione brevemente el botón **UNITS Cal** para avanzar por todas las unidades. El modo dinámico está activo cuando el indicador • está parpadeando.



Ponga una masa en la plataforma. La báscula mostrará "-A-".

NOTA: Si está usando un recipiente, presione **ON/ZERO Off** para tarar el peso y regresar al cero.



Con una masa en la plataforma o recipiente, una pulsación corta de **UNITS Cal** iniciará el conteo regresivo de promedio desde 5 segundos.



El peso promediado se muestra a continuación. El indicador • deja de destellar cuando el proceso se ha completado.



La pantalla se mantendrá hasta que se presione un botón.

Para repetir el proceso presione **UNITS Cal** con una masa en la plataforma o recipiente.

Para salir, retire la masa de la plataforma o recipiente y presione **UNITS Cal**.

4. CALIBRACIÓN

Para mejores resultados, calibre la báscula a intervalos regulares. (Los pesos de calibración no se suministran con la báscula.)



PRECAUCIÓN

TENGA MUCHO CUIDADO CUANDO MANIPULE LOS PESOS DE CALIBRACIÓN, YA QUE SON MUY PESADOS. LOS MÉTODOS INADECUADOS DE LEVANTAMIENTO O EL MAL USO DE LOS PESOS DE CALIBRACIÓN PUEDEN RESULTAR EN LESIONES PERSONALES. PUEDEN UTILIZARSE MÚLTIPLES PESOS PARA IGUALAR EL PESO DE CALIBRACIÓN REQUERIDO.

NOTA:

- Asegúrese de tener disponibles las masas de calibración correctas antes de empezar la calibración (consulte la tabla 4-1).
- Asegúrese de que la báscula esté nivelada y estable durante todo el proceso de calibración.
- La calibración no está disponible en el modo de pesaje dinámico.
- Permita que la báscula se caliente durante aproximadamente 5 minutos después de estabilizarse a la temperatura ambiente.
- Para cancelar la calibración, presione **UNITS Cal**, o apague la báscula.

TABLA 4-1. PESOS DE CALIBRACIÓN.

Modelo	Peso de calibración (kg)
C11P9	9 / 20
C11P20	20 / 40
C11P75	50 / 100

4.1 Calibración de rango

La calibración de rango usa dos puntos para ajustar la báscula. El primer punto es el valor cero donde no hay peso en la báscula. El segundo punto es el valor de rango donde se coloca una masa de calibración en la báscula.

Para seleccionar la unidad de pesaje a ser utilizada para la calibración, presione el botón **UNITS Cal** hasta que se muestre en pantalla la unidad correcta.

Presionen sostenido el botón **UNITS Cal** hasta que se muestre en pantalla "CAL".



Con la plataforma vacía, presione el botón **ON/ZERO Off** para capturar el cero de la báscula. La pantalla mostrará "-C-".



Después de capturar el cero, aparece en pantalla el peso requerido para el intervalo de calibración en la unidad seleccionada.



Coloque el peso de calibración sobre la plataforma y presione el botón **ON/ZERO Off**. La pantalla mostrará nuevamente "-C-".



Después de la captura del intervalo, la pantalla volverá al modo de pesaje normal.



NOTA: El mensaje "CAL E" aparecerá si se aplica un peso de calibración incorrecto. Repita el procedimiento usando el peso correcto de la calibración.

4.2 Bloqueo de la calibración

Utilizando un interruptor interno se puede bloquear la función de calibración (inhabilitada) y así puede prevenirse una nueva calibración no autorizada.

Con la báscula apagada, remueva la cubierta debajo del indicador desatornillando los dos tornillos en la parte inferior.

Deslice el interruptor en la PCB (señalado como SW3) a la posición marcada como "CAL LOCK".

Reensamble la cubierta.

Si lo requiere, coloque sellos de seguridad contra abertura no autorizada sobre los hoyos de los tornillos o sobre los bordes de la caja.

Si se necesita una nueva calibración, tendrá que abrir nuevamente la caja y regresar el interruptor de bloqueo a la posición original.

NOTA: Cuando el interruptor esté colocado en la posición CAL LOCK, el rango de encendido en cero se reduce al 10% de la capacidad total.

5. MANTENIMIENTO

Precaución: antes de limpiarla, apague la báscula, retire el adaptador de corriente.

5.1 Limpieza

La carcasa puede limpiarse con un paño humedecido con un detergente suave si es necesario. No use disolventes, productos químicos, alcohol, amoníaco o sustancias abrasivas para limpiar la carcasa o los paneles de control.

5.2 Solución de problemas

La tabla siguiente muestra problemas comunes, así como sus posibles causas y soluciones. Si el problema persiste, póngase en contacto con Ohaus o con su distribuidor autorizado.

TABLA 5-1. SOLUCIÓN DE PROBLEMAS.

Síntoma	Posible causa	Solución
La báscula no enciende	A la báscula no le llega corriente La energía de la batería es baja	Verifique las conexiones y el voltaje. Revise la polaridad de las baterías
Exactitud pobre	Calibración incorrecta. Entorno inestable	Realice una calibración. Mueva la báscula a una ubicación apropiada.
No se puede calibrar	El CAL LOCK está en ON Entorno inestable Masa de calibración incorrecta	Establezca el CAL LOCK en OFF (consulte la sección 4.2) Mueva la báscula a una ubicación apropiada. Utilice la masa de calibración correcta
La báscula muestra Lo bAt	La batería está descargada	Conecte a la energía eléctrica o cambie las baterías
La báscula muestra "Lo Line"	Apagado por baja tensión de línea (adaptador de corriente)	Revise el voltaje de la fuente
La báscula muestra "E"	El peso en la bandeja excede la capacidad	Retire peso de la bandeja
La báscula muestra "CALE"	Peso de calibración incorrecto en la bandeja	Utilice un peso de calibración correcto
La báscula muestra "UnSt"	La báscula está inestable en el encendido	Reubique la báscula en un entorno más estable

5.3 Información de servicio

Si la sección de solución de problemas no resuelve o describe su problema, contacte a su agente de servicio Ohaus autorizado. Para obtener servicio de asistencia o soporte técnico en los Estados Unidos llame gratis al 1-800-526-0659 entre 8:00 am y 5:00 pm hora del este. Un especialista en servicio de productos Ohaus estará disponible para proporcionar asistencia. Fuera de los Estados Unidos, por favor visite nuestro sitio web, www.ohaus.com, para localizar la oficina de Ohaus más cercana a usted.

6. DATOS TÉCNICOS

Los datos técnicos son válidos bajo las siguientes condiciones de ambiente:

Temperatura del ambiente: 5°C a 40°C / 41°F to 104°F

Humedad relativa: 10% a 80% de humedad relativa, no condensante

6.1 Especificaciones

TABLA 6-1. ESPECIFICACIONES.

Modelo	C11P9	C11P20	C11P75
Capacidad x Sensibilidad	9 kg x 0.005 kg 20 lb x 0.01 lb	20 kg x 0.01 kg 44 lb x 0.02 lb	75 kg x 0.05 kg 165 lb x 0.1 lb
Unidades de peso	kg, lb		
Modos	Pesaje simple, Pesaje dinámico		
Teclado	Teclas mecánicas de 2 botones		
Pesos de calibración	9 kg / 20 lb	20 kg / 40 lb	50 kg / 100 lb
Pantalla	4 dígitos, LCD, alto de 0.8"/20 mm		
Indicadores en pantalla	Estabilidad, pesando la unidad, el pesar dinámico, estado de la batería		
Rango de tara	A capacidad por sustracción		
Tiempo de estabilización	≤ 3 segundos		
Sobrecarga máxima	150%		
Rango de temperatura / humedad operativa	41° a 104° F / 5° a 40° C a una humedad relativa del 10% al 80% sin condensación		
Requerimientos de energía	Adaptador CA 9-12 VDC 0,1A (suministrado) 3 baterías alcalinas "C" (LR14) o baterías recargables		
Apagado automático	4 minutos sin actividad (sólo con operación con baterías)		
Duración típica de la batería	300 horas		
Dimensiones de la báscula (mm / in)	316 x 316 x 60/ 12.4 x 12.4 x 2.36		

6.2. Dibujos y dimensiones

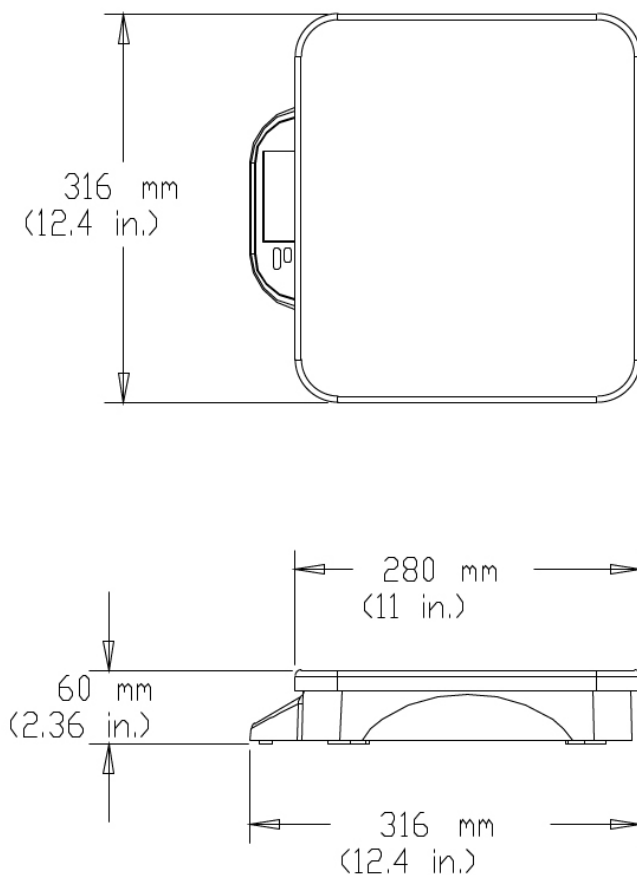




Figura 6-1. Dimensiones generales de la serie Catapult 1000.

6.3. Conformidad

La conformidad a los estándares siguientes es indicada por la marca correspondiente en el producto

Marca	Estándar
	Este producto se conforma con el EMC 2004/108/EC directivo y la baja tensión 2006/95/EC directivo. El declaración completo de la conformidad está disponible de Ohaus Corporation
	AS/NZS4251.1 Emission; AS/NZS4252.1 Immunity

Eliminación de residuos

De conformidad con las exigencias de la directiva europea 2002/96 CE sobre residuos de aparatos eléctricos y electrónicos (RAEE), este equipo no puede eliminarse como basura doméstica. Esta prohibición es asimismo válida para los países que no pertenecen a la UE cuyas normativas nacionales en vigor así lo reflejan.



Elimine este producto, según las disposiciones locales, mediante el sistema de recogida selectiva de aparatos eléctricos y electrónicos.

Si tiene alguna pregunta al respecto, diríjase a las autoridades responsables o al distribuidor que le proporcionó el equipo.

Si transfiere este equipo (por ejemplo, para la continuación de su uso con fines privados, comerciales o industriales), deberá transferir con él esta disposición.

Muchas gracias por su contribución a la conservación medioambiental.

Registro ISO 9001

En 1994, Bureau Veritas Quality International (BVQI) le otorgó a Ohaus Corporation, EE.UU., un certificado de registro ISO 9001 el cual confirma que el sistema administrativo de calidad de Ohaus cumple con los requerimientos del estándar ISO 9001. En mayo 15 del 2003, Ohaus Corporation, EE.UU., fue registrada nuevamente al estándar ISO 9001:2000.

GARANTÍA LIMITADA

Los productos de Ohaus están garantizados contra defectos de materiales y fabricación desde la fecha de entrega y durante el tiempo que dure la garantía. Durante el periodo de garantía Ohaus reparará, o, a su discreción, reemplazará cualquier componente(s) que se compruebe que está defectuoso, sin costo alguno, con la condición de que el producto sea devuelto, flete pagado, a Ohaus.

Esta garantía no es válida si el producto ha sufrido daños por accidente o mal uso, expuesto a materiales radioactivos o corrosivos, presenta materiales extraños penetrando al interior del producto, o si ha sido objeto de modificaciones por parte de personas que no sean de Ohaus. En lugar de una tarjeta de registro de garantía devuelta debidamente, el periodo de garantía comenzará en la fecha de envío al distribuidor autorizado. Ohaus Corporation no otorga ninguna otra garantía expresa o implícita. Ohaus Corporation no se hace responsable de cualquier daño fortuito.

Puesto que la legislación sobre garantías difiere de un estado a otro así como de un país a otro, comuníquese con su distribuidor local de Ohaus para mayor información.

1. INTRODUCTION

Ce guide contient des instructions d'installation, de fonctionnement et d'entretien des balances Valor™ de la série 2000. Veuillez lire toutes ces instructions avant d'utiliser la balance.

1.1 Consignes de sécurité

Prière de respecter ces consignes de sécurité.

- Vérifiez que la tension d'entrée de l'adaptateur CA correspond à l'alimentation CA locale.
- Ne plongez pas la balance dans l'eau, ni dans d'autres liquides.
- N'utilisez pas la balance dans des environnements hostiles.
- Ne faites pas tomber de charge sur la plate-forme.
- Ne posez pas la balance à l'envers sur la plate-forme.
- L'entretien doit être exécuté exclusivement par un personnel autorisé.
- Déconnectez la balance de l'alimentation électrique pour la nettoyer.

1.2 Commandes

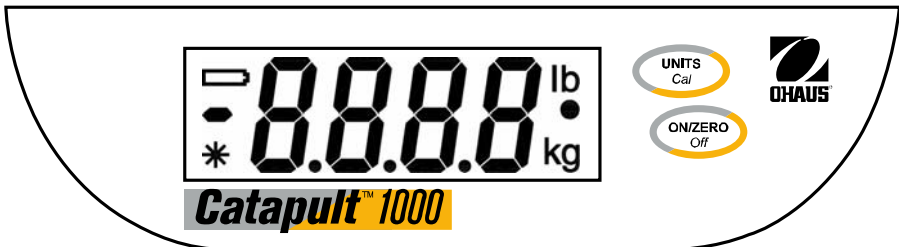




Figure 1-1. Commandes

TABLEAU 1-1. FONCTIONS DE COMMANDE.

Bouton		
Fonction principale (Appuyez rapidement)	ON/ZERO Met la balance sous tension. Si la balance est sous tension: Définit le zéro. Simuler une opération de tare.	UNITS Permet de changer l'unité de pesée. Entre le mode pesage dynamique. Lance le compte à rebours en mode pesage dynamique.
Fonction secondaire (Appuyez longtemps)	Off Met la balance hors tension.	Cal Lancer le processus du calibrage.

1.2 Fenêtre d'affichage

1.2.1 Caractères numériques larges à 7 segments

Les valeurs du poids (de la masse) sont indiquées à l'aide de 4 chiffres, y compris le signe moins et les décimales. Des invites de calibration et les états d'erreur possibles sont également indiqués à l'aide de ces chiffres.

1.2.2 Indication de lecture stable

Un astérisque * s'affiche en bas à gauche de l'affichage pour indiquer à quel moment la lecture est stable.


1.2.3 Indication de l'unité de pesage

L'unité de pesage sélectionnée apparaît à droite de l'affichage.

1.2.3 Indication Mode de pesage dynamique

A • clignote près de l'unité sélectionnée pendant ce mode

1.2.3 Indication du niveau bas des piles:

Le symbole d'une pile à gauche de l'écran  indique un niveau bas des piles. Une fois d'abord montrées, approximativement 12 heures d'opération demeurent. Lorsque les piles sont totalement usées, la balance affiche temporairement « Lo bAt » (Niveau bas pile) et s'arrête.

2. INSTALLATION

2.1 Contenu de l’emballage

- Échelle
- Adaptateur alimentation
- Manuel d’instructions
- Carte de garantie

2.2 Lieu

Utilisez la balance sur une surface solide et stable. Évitez les emplacements avec courant d’air, vibrations, sources de chaleur excessifs ou changements de température brusques.

2.3 Alimentation

2.3.1 Alimentation CA

L’adaptateur CA (inclus) peut être utilisé pour alimenter la balance lorsque les batteries ne sont pas disponibles. Branchez ensuite l’adaptateur CA dans une prise correctement mise à la terre.

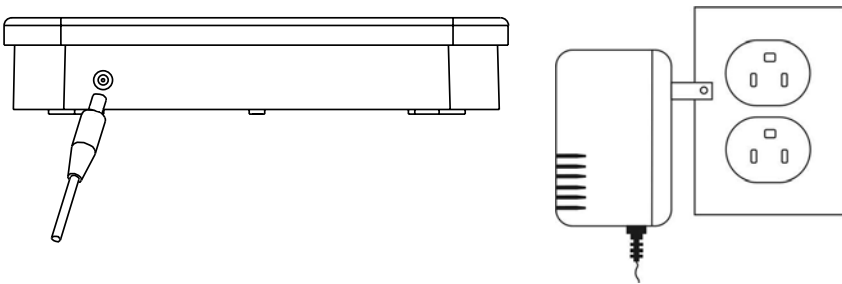


Figure 2-1. Connexion à l’alimentation.

2.3.2 Installation des piles (optionnelle)

Ouvrez le couvercle de la pile situé en bas de la balance et installez trois piles alcalines de taille C (LR14) ou des piles rechargeables dans le compartiment. Orientez les piles selon l'illustration à l'intérieur du compartiment. Fermez le couvercle des piles. **REMARQUE:** Les piles ne sont pas incluses.

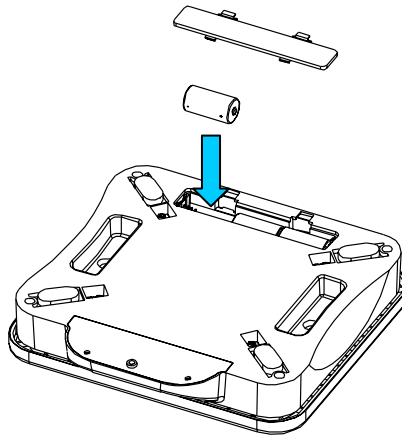


Figure 2-2. Installation des piles.



ATTENTION: Ne pas éliminer les batteries usées dans une poubelle de domestique. Respecter les conditions d'élimination ou de recyclage conformément aux lois et règlements locaux en vigueur.

3. FONCTIONNEMENT

3.1 Activation/désactivation de la balance

Pour mettre la balance sous tension, appuyez sur le bouton **ON/ZERO Off**. La balance effectue un test de l'affichage, indiquant pendant quelques instants le modèle/la version du logiciel et passe ensuite en mode de pesée actif. Pour mettre la balance hors tension, appuyez sur le bouton **ON/ZERO Off** et maintenez-le enfoncé jusqu'à ce que l'option OFF s'affiche.

3.2 Fonction du zéro

Appuyez sur le bouton **ON/ZERO Off** pour remettre l'affichage de la balance à zéro. Lorsque vous ajoutez une masse supplémentaire, appuyez plusieurs fois sur le bouton **ON/ZERO Off** jusqu'à ce que la capacité totale de la balance soit atteinte. Lorsque vous utilisez un conteneur, appuyez sur le bouton **ON/ZERO Off** pour simuler la fonction Tare.

Vous pouvez ensuite ajouter une masse additionnelle comme poids NET. Lorsque vous enlevez l'échantillon et le conteneur de la balance, une valeur négative peut s'afficher. Remettez la balance à zéro avant toute utilisation.

REMARQUE: Le bouton **ON/ZERO Off** permet d'effectuer une véritable fonction de remise à zéro lorsque les valeurs affichées sont dans les $\pm 2\%$ de la capacité totale. Au-dessus de 2%, la gamme est limitée à la pleine capacité par soustraction.

3.3 Changement d'unités de mesure

Appuyez sur le bouton **UNITS Cal** pour afficher la prochaine unité de mesure disponible.

3.4 Arrêt automatique

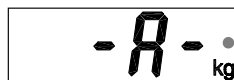
Pour prolonger la vie de la pile, la balance s'arrête automatiquement après quatre minutes d'inactivité. Cette fonction est uniquement active pendant le fonctionnement sur pile.

3.5 Pesage dynamique

Lorsque la plate-forme est vide, appuyez rapidement sur le bouton **UNITS Cal** pour faire défiler les unités. Le mode Dynamique est activé lorsque l'indicateur • clignote.



Placez une masse sur la plate-forme. La balance affiche « -A- ». **REMARQUE:** Si vous utilisez un conteneur, appuyez sur **ON/ZERO Off** pour tarer le poids et revenir à zéro.



Avec une masse sur la plate-forme ou le conteneur, appuyez rapidement sur **UNITS Cal** pour lancer le compte à rebours de la moyenne dans les 5 secondes.



Le poids moyen s'affiche. Le symbole • cesse de clignoter lorsque le processus est terminé.



L'affichage est conservé jusqu'à ce que vous appuyiez sur le bouton.

Pour répéter le processus, appuyez sur **UNITS Cal** avec une masse sur la plate-forme ou le conteneur. Pour quitter, enlevez la masse de la plate-forme ou le conteneur et appuyez sur **UNITS Cal**.

4. CALIBRAGE

Pour obtenir les meilleurs résultats, calibrez la balance à des intervalles réguliers. (Les poids de calibrage ne sont pas fournis avec la balance).

ATTENTION



MANIPULER LES POIDS DE CALIBRAGE AVEC SOIN. CES POIDS SONT EFFECTIVEMENT TRÈS LOURDS. TOUTE MÉTHODE DE LEVAGE INCORRECTE OU TOUTE UTILISATION INAPPROPRIÉE DES POIDS DE CALIBRAGE PEUT ENTRAÎNER DES BLESSURES. PLUSIEURS POIDS PEUVENT ÊTRE UTILISÉS POUR OBTENIR LE POIDS DE CALIBRAGE REQUIS.

REMARQUE:

- Vous devez disposer des poids de calibrage appropriés avant de procéder au calibrage (voir le Tableau 4-1).
- Assurez-vous que la balance est à niveau et qu'elle est stable pendant tout le processus du calibrage.
- Le calibrage n'est pas disponible en mode de pesage dynamique.
- Attendez que la balance se soit réchauffée pendant 5 minutes après la stabilisation à la température ambiante.
- Pour annuler le calibrage, appuyez sur **UNITS Cal**, ou mettez la balance hors tension.

TABLEAU 4-1. POIDS DU CALIBRAGE.

Modèle	Poids du Calibrage (kg/lb)
C11P9	9 / 20
C11P20	20 / 40
C11P75	50 / 100

4.1 Calibrage de portée

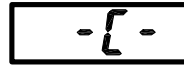
Le calibrage de la portée se base sur deux points permettant de régler la balance. Le premier point est la valeur de zéro lorsqu'il n'y a pas de poids sur la balance. Le deuxième point est la valeur de la portée lorsqu'une masse de calibrage est placée sur la balance.

Pour sélectionner l'unité de pesage à utiliser pour le calibrage, appuyez sur le bouton **UNITS Cal** jusqu'à ce que l'unité appropriée s'affiche.

Appuyez sur le bouton **UNITS Cal** que vous maintenez enfoncé jusqu'à ce que le message CAL s'affiche.



Lorsque la plate-forme est vide, appuyez sur le bouton **ON/ZERO Off** pour capturer le zéro de la balance. L'affichage indique « -C- ».



Après avoir capturé le zéro, le poids de calibrage de la portée requise s'affiche dans l'unité sélectionnée.



Placez le poids de calibrage sur la plate-forme et appuyez ensuite sur **ON/ZERO Off**. L'affichage indique à nouveau « -C- ».



Après la capture de la portée, l'affichage revient au mode de pesage normal.



REMARQUE: Le message « CAL E » s'affiche si un poids de calibrage incorrect a été appliqué. Répétez le procédé en utilisant le poids correct de calibrage.

4.2 Verrouillage du calibrage

Vous pouvez verrouiller la fonction de calibrage (la désactiver) à l'aide de l'interrupteur interne pour empêcher tout recalibrage non autorisé.

Une fois la balance hors tension, enlevez la couverture sous l'indicateur en dévissant les deux vis en bas.

Placez l'interrupteur sur le PCB (marqué SW3) en position CAL LOCK.

Réassemblez la couverture.

Si besoin, placez des étiquettes inviolables sur les trous des vis ou sur les bords du couvercle.

Si un recalibrage ultérieur est requis, le boîtier doit être rouvert et l'interrupteur de verrouillage remis en position initiale.

REMARQUE: Lorsque l'interrupteur de verrouillage est en position CAL LOCK, la plage de zéro de la mise sous tension est réduite à 10 % de la capacité totale.

5. MAINTENANCE

Attention: avant de procéder au nettoyage, mettre la balance hors tension, enlever l'adaptateur CA.

5.1 Nettoyage

Vous pouvez nettoyer le boîtier avec un chiffon humide et un détergent doux, si nécessaire. N'utilisez pas de dissolvants, produits chimiques, alcool, amoniacque ou produits abrasifs pour nettoyer le boîtier ou les panneaux de commande.

5.2 Dépannage

Le tableau suivant présente les problèmes communs, les causes possibles et les solutions. Si le problème persiste, contactez Ohaus ou votre revendeur Ohaus agréé.

TABLEAU 5-1. DÉPANNAGE.

Symptôme	Cause(s) possible(s)	Solution
La balance ne se met pas en marche	La balance n'est pas alimentée La batterie est vide.	Vérifier la connexion et la tension. Vérifier la polarité de la pile
Précision de qualité médiocre	Calibrage incorrect Environnement instable	Effectuer le calibrage • Déplacer la balance vers un emplacement approprié
Impossible de calibrer	CAL LOCK défini sur ON Environnement instable Masse de calibrage incorrecte	Définir le CAL LOCK sur OFF (voir la Section 4.2). Placer la balance dans un environnement stable. Utiliser la masse de calibrage appropriée
La balance affiche Lo bAt	La batterie est déchargée	Connecter l'alimentation ou changez les piles
La balance affiche "Lo Line"	Low Line voltage	Vérifier la tension source
La balance affiche "E"	Le poids sur la plate-forme dépasse la capacité	Enlever le poids de la plate-forme
La balance affiche "CALE"	Poids de calibrage incorrect sur la plate-forme	Utiliser la masse de calibrage appropriée
La balance affiche "UnSt"	Balance instable à la mise sous tension.	Placer la balance dans un environnement plus stable

6.3 Informations sur le service

Si la section de dépannage ne vous aide pas à résoudre votre problème ou ne le décrit pas, contactez un technicien agréé Ohaus. Pour toute assistance relative au service ou tout support technique, appelez le 1-800-526-0659 aux États-Unis entre 8h00 et 17h00 (heure de New York). Un spécialiste des produits Ohaus se tient à votre disposition pour répondre à vos questions. En dehors des États-Unis, visitez le site Web à l'adresse suivante :

www.ohaus.com pour localiser le bureau Ohaus le plus près de chez vous.

6. DONNÉES TECHNIQUES

Les données techniques sont valides dans les conditions ambiantes suivantes.

Température ambiante : 5 °C à 40 °C / 41° to 104° F

Humidité relative : 10 % à 80 % d'humidité relative, non condensée

6.1 Spécifications

TABLEAU 6-1.SPÉCIFICATIONS.

Modèle	C11P9	C11P20	C11P75
Capacité x Précision	9 kg x 0.005 kg 20 lb x 0.01 lb	20 kg x 0.01 kg 44 lb x 0.02 lb	75 kg x 0.05 kg 165 lb x 0.1 lb
Unités de pesage	kg, lb		
Modes	Pesage simple, Pesage dynamique		
Clavier	2 touches mécaniques faciles		
Poids de calibrage	9 kg / 20 lb	20 kg / 40 lb	50 kg / 100 lb
Affichage	4 chiffres, LCD, 0,8 po./20 mm de hauteur		
Indicateurs de l'écran	Stabilité, pesant l'unité, peser dynamique, statut de batterie		
Plage de zéro	À la capacité par soustraction.		
Temps de stabilisation	≤ 3 secondes		
Surcharge maximum	150%		
Plage de la température / d'humidité de fonctionnement	5° à 40°C / 41° to 104°F d'humidité relative 10 % à 80%, sans condensation		
Alimentation	Adaptateur CA, 9-12 VCC, 100mA (fourni) 3 piles alcalines C (LR14) ou batteries rechargeables (optional)		
Arrêt automatique	4 minutes sans activité (fonctionnement sur pile uniquement)		
Vie utile type de la batterie	300 heures		
Dimensions de la balance (mm / in)	316 x 316 x 60/ 12.4 x 12.4 x 2.36		

6.2 Schémas et dimensions

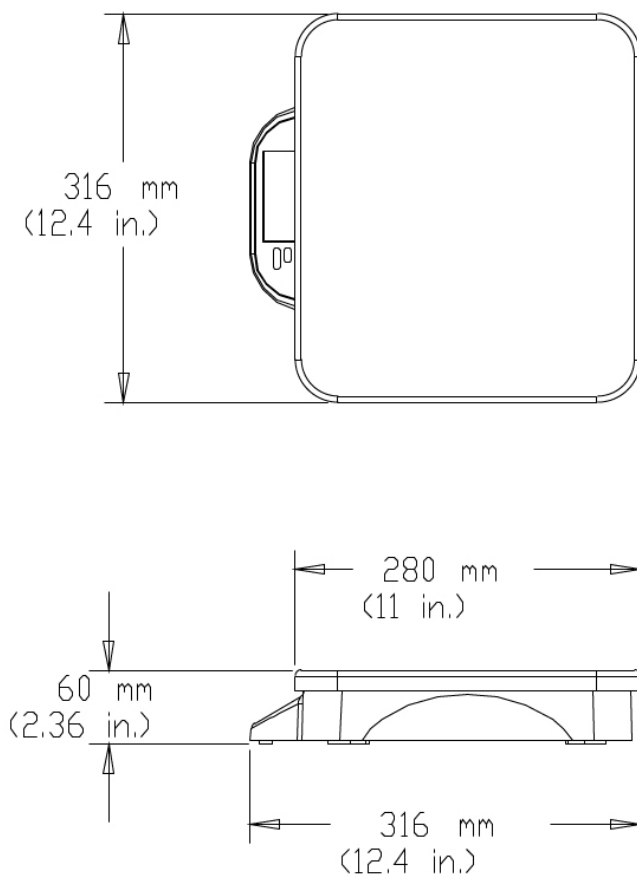




Figure 6-1. Dimensions hors-tout de Catapult série 1000

6.3 Conformité

La conformité aux normes suivantes est indiquée par la marque correspondante sur le produit

Mark	Standard
	Ce produit se conforme à l'EMC 2004/108/EC directif et la basse tension 2006/95/EC directif. La déclaration complète de la conformité est fournie par Ohaus Corporation.
	AS/NZS4251.1 Emission; AS/NZS4252.1 Immunity

Elimination

En conformité avec les exigences de la directive européenne 2002/96 CE relative aux déchets d'équipements électriques et électroniques (DEEE), cet appareil ne doit pas être éliminé avec les déchets ménagers. Logiquement, ceci est aussi valable pour les pays en dehors de l'UE conformément aux réglementations nationales en vigueur.



Veuillez éliminer cet appareil conformément aux prescriptions locales dans un conteneur séparé pour appareils électriques et électroniques.

Pour toute question, adressez-vous aux autorités compétentes ou au revendeur chez qui vous avez acheté cet appareil.

En cas de remise de cet appareil (p. ex. pour une utilisation privée ou artisanale/industrielle), cette prescription doit être transmise en substance.

Merci pour votre contribution à la protection de l'environnement.

Remarque d'Industrie Canada

Cet appareil numérique de la classe B est conforme à la norme NMB-003 du Canada.

Enregistrement ISO 9001

En 1994, le Bureau Veritus Quality International (BVQI) a octroyé la certification d'enregistrement ISO 9001 à Ohaus Corporation, États-Unis d'Amérique, confirmant que le système de gestion de la qualité Ohaus était conforme aux conditions normalisées de l'ISO 9001. Le 15 mai 2003, Ohaus Corporation, États-Unis d'Amérique, a été ré-enregistrée à la norme ISO 9001:2000

GARANTIE LIMITÉE

Ohaus garantit que ses produits sont exempts de défauts matériels et de fabrication à compter de la date de livraison pendant toute la durée de la garantie. Selon les termes de cette garantie, Ohaus s'engage, sans frais de votre part, à réparer ou, selon son choix, remplacer toutes les pièces déterminées défectueuses, sous réserve que le produit soit retourné, frais payés d'avance, à Ohaus.

Cette garantie n'entre pas en vigueur si le produit a subi des dommages suite à un accident ou une utilisation erronée, a été exposé à des matériaux radioactifs ou corrosifs, contient des matériaux étrangers ayant pénétré à l'intérieur ou suite à un service ou une modification apportée par des techniciens autres que ceux d'Ohaus. En l'absence d'une carte d'enregistrement de garantie dûment remplie, la période de garantie commence à la date de l'expédition au revendeur agréé. Aucune autre garantie expresse ou implicite n'est offerte par Ohaus Corporation. En aucun cas, Ohaus Corporation ne peut être tenu responsable des dommages indirects.

Dans la mesure où les lois régissant les garanties varient d'un État à l'autre et d'un pays à l'autre, veuillez contacter Ohaus ou votre représentant local agréé Ohaus pour de plus amples informations.

1. EINLEITUNG

Dieses Handbuch enthält Anweisungen zur Installation, zum Betrieb und zur Wartung der Waagen der Valor™ 2000-Serie. Bitte lesen Sie das Handbuch ganz durch, bevor Sie die Waage in Betrieb nehmen.

1.1 Sicherheitsvorkehrungen

Bitte beachten Sie die folgenden Sicherheitsmaßnahmen:

- Stellen Sie sicher, dass die Eingangsspannung des Netzadapters der örtlichen Netzspannung entspricht.
- Die Waage nicht in Wasser oder sonstige Flüssigkeiten eintauchen.
- Die Waage nicht unter widrigen Umgebungsbedingungen betreiben.
- Keine Lasten auf die Plattform fallen lassen.
- Die Waage nicht kopfüber auf die Schale stellen.
- Reparaturen sollten nur von dazu befugtem Personal durchgeführt werden.
- Während der Reinigung muss die Waage vom Netzteil abgetrennt werden.

1.2 Bedienelemente

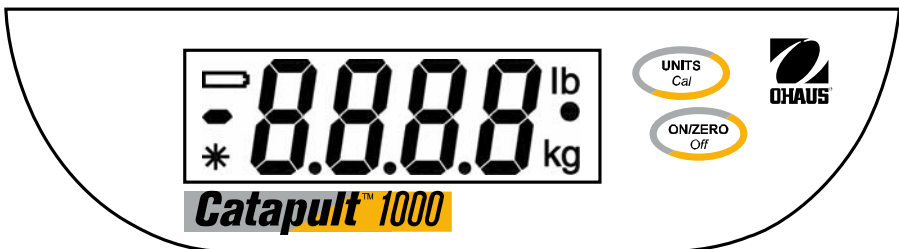




Abbildung 1-1. Bedienelemente.

TABELLE 1-1. BEDIENELEMENTFUNKTIONEN.

Taste		
Primäre Funktion (Kurzes Drücken)	ON/ZERO Schaltet die Waage EIN. Bei eingeschalteter Waage: Stellt die Waage auf Null. Zum Simulieren der Tarafunktion.	UNITS Ändert die Wägeeinheit. Dynamisches Wägen Modus vorwählen. Es beginnt den Countdown im Dynamisches Wägen Modus.
Sekundäre Funktion (Langes Drücken)	Off Schaltet die Waage aus.	Cal Beginnt Kalibrierung Prozeß.

1.2 Anzeigefenster

1.2.1 Große numerische Zeichen mit 7 Segmenten:

Die Gewichtswerte werden mithilfe von 4 Ziffern einschließlich Minuszeichen und Dezimalstellen angezeigt. Außerdem werden mit diesen Ziffern Eingabeaufforderungen für die Kalibrierung und mögliche Fehlerzustände angezeigt.

1.2.2 Stabile Messwertanzeige:

In der unteren linken Ecke der Anzeige erscheint ein * und zeigt an, wann ein Messwert stabil ist.


1.2.3 Gewichtseinheitsanzeige:

Die gewählte Gewichtseinheit erscheint auf der rechten Seite der Anzeige.

1.2.4 Anzeige des dynamischen Wägemodus:

Während dieses Modus blinkt ein • neben der ausgewählten Einheit.

1.2.5 Niedrige Batterieanzeige:

Das Batteriesymbol auf der linken Seite der Anzeige  zeigt einen niedrigen Batteriezustand an. Wenn sie zuerst angezeigt werden, bleiben ungefähr 12 Stunden des Betriebes. Wenn die Batterie ganz leer ist, wird auf der Waage kurz die Meldung „Lo bAt“ (Niedriger Batteriestand) eingeblendet, und die Waage schaltet sich aus.

2. INSTALLATION

2.1 Paketinhalt

- Waage
- Stromadapter
- Bedienungsanleitung
- Garantiekarte

2.2 Standort

Verwenden Sie die Waage auf einer festen, stabilen Oberfläche. Vermeiden Sie Standorte mit zu starken Luftströmungen, Vibrationen, Wärmequellen oder schnellen Temperaturschwankungen.

2.3 Strom

2.3.1 Wechselstrom

Der Netzadapter (im Lieferumfang enthalten) kann zum Betreiben der Waage verwendet werden, wenn kein Batteriestrom zur Verfügung steht. Schließen Sie den Netzadapterstecker an die Eingangsbuchse an. Stecken Sie den Netzadapter dann in eine ordnungsgemäße Steckdose ein.

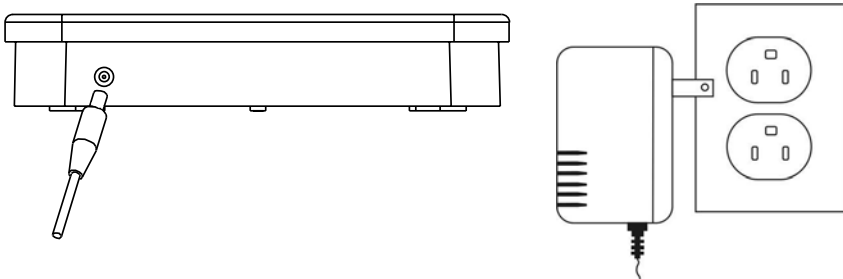


Abbildung 2-1. Stromanschluss.

2.3.2 Installation der Batterien (optional)

Öffnen Sie die Batterieabdeckung auf der Unterseite der Waage und legen Sie drei Alkalibatterien der Größe „C“ (LR14) oder wieder aufladbare Batterien in das Fach ein. Richten Sie die Batterien so wie auf der Innenseite des Fachs gezeigt aus. Schließen Sie die Batterieabdeckung. **HINWEIS:** Batterien sind nicht im Lieferumfang enthalten.

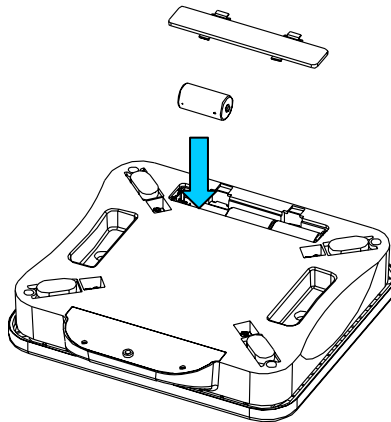


Abbildung 2-2. Einlegen der Batterien.



VORSICHT: Entleeren Sie sich nicht benutzte Batterien in der Hausangestelltvergeudung. Folgen Sie der korrekten Beseitigung oder Wiederverwertung Anforderungen in Übereinstimmung mit lokalen Gesetzen und Regelungen.

3. BETRIEB

3.1 Waage ein-/ausschalten

Um die Waage einzuschalten, drücken Sie die Taste **ON/ZERO Off**. Die Waage führt einen Anzeigetest aus, zeigt kurz die Modell-/Softwareversion an und ruft dann den aktiven Wägemodus auf. Zum Ausschalten der Waage wird die Taste **ON/ZERO Off** gedrückt, bis OFF (Aus) erscheint.

3.2 Nullfunktion

Durch das Drücken auf **ON/ZERO Off** kehrt die Waagenanzeige auf Null zurück. Beim Hinzufügen von zusätzlichen Gewichten kann die Taste **ON/ZERO Off** wiederholt verwendet werden, bis die volle Kapazität der Waage erreicht ist. Wenn ein Behälter verwendet wird, kann die Taste **ON/ZERO Off** zum Simulieren der Tarafunktion verwendet werden. Zusätzliche Gewichte können dann als NET (Netto) -Gewicht hinzugefügt werden. Wenn sowohl die Probe als auch der Behälter von der Waage

abgenommen werden, wird eventuell ein negativer Wert angezeigt. Stellen Sie die Waage vor einer erneuten Verwendung wieder auf Null

HINWEIS: Die Taste **ON/ZERO Off** führt eine echte Nulleinstellungsfunktion aus, wenn Anzeigewerte innerhalb von +2 % der vollen Kapazität liegen. Über 2% wird die Strecke auf die volle Kapazität durch Abzug begrenzt.

3.3 Maßeinheiten ändern

Die Taste **UNITS Cal** drücken, um die nächste verfügbare Maßeinheit anzuzeigen

3.4 Automatisches Ausschalten

Zum Verlängern der Lebensdauer der Batterien schaltet sich die Waage nach ca. vier Minuten ohne Aktivität automatisch aus. Diese Funktion ist nur im Batteriebetrieb aktiv.

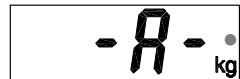
3.5 Dynamisches Wägen

Drücken Sie bei geleerter Plattform kurz auf die Taste **UNITS Cal**, um die Einheiten zu durchlaufen. Der dynamische Modus ist aktiv, wenn der Indikator • blinkt.

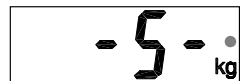


Legen Sie ein Gewicht auf die Plattform. Auf der Anzeige erscheint „-A-“.

HINWEIS: Drücken Sie bei Verwendung eines Behälters auf **ON/ZERO Off**, um das Gewicht zu tariieren und zu Null zurückzukehren.



Während sich ein Gewicht auf der Plattform bzw. im Behälter befindet, wird durch kurzes Drücken auf **UNITS Cal** ein Countdown von 5 Sekunden für die Mittelung gestartet.



Dann wird das gemittelte Gewicht angezeigt. Der Indikator • hört zu blinken auf, wenn der Vorgang abgeschlossen ist.



Die Wert wird so lange angezeigt, bis eine Taste gedrückt wird.

Zum Wiederholen des Vorgangs drücken Sie auf **UNITS Cal**, während sich ein Gewicht auf der Plattform oder im Behälter befindet.

Zum Beenden nehmen Sie das Gewicht von der Plattform oder aus dem Behälter und drücken **UNITS Cal**.

4. KALIBRIERUNG

Zur Erzielung der besten Ergebnisse muss die Waage in regelmäßigen Abständen kalibriert werden. (Es sind keine Kalibriergewichte im Lieferumfang der Waage enthalten.)



VORSICHT

BEIM UMGANG MIT KALIBRIERGEWICHTEN MUSS EXTREM VORSICHTIG VORGEGANGEN WERDEN, DA SIE SEHR SCHWER SIND. FALSCHHE HEBEMETHODEN ODER DER MISSBRAUCH VON KALIBRIERGEWICHTEN KANN ZU VERLETZUNGEN FÜHREN. UM DAS ERFORDERLICHE KALIBRIERGEWICHT ZU ERREICHEN, KÖNNEN MEHRERE GEWICHTE VERWENDET WERDEN.

HINWEIS:

- Stellen Sie sicher, dass die richtigen Kalibriergewichte zur Verfügung stehen, bevor Sie mit der Kalibrierung beginnen (siehe Tabelle 4-1).
- Stellen Sie sicher, dass die Waage während des gesamten Kalibrierverfahrens gerade steht und stabil ist.
- Im dynamischen Wägemodus steht keine Kalibrierung zur Verfügung.
- Warten Sie nach dem Stabilisieren ca. 5 Minuten lang, damit sich die Waage auf Zimmertemperatur erwärmen kann.
- Schalten Sie die Waage aus oder drücken **UNITS Cal**, um die Kalibrierung abzubrechen.

TABELLE 4-1. KALIBRIERGEWICHTE.

Model	Kalibriergewichte (kg/lb)
C11P9	9 / 20
C11P20	20 / 40
C11P75	50 / 100

4.1 Messspannenkalibrierung

Die Messspannenkalibrierung verwendet zwei Punkte zum Einstellen der Waage. Der erste Punkt ist der Nullwert, wobei sich auf der Waage kein Gewicht befindet. Der zweite Punkt ist der Messspannenwert, wobei ein Kalibriergewicht auf die Waage gelegt wird.

Zur Auswahl der für die Kalibrierung zu verwendenden Wägeeinheit drücken Sie die Taste **UNITS Cal**, bis die richtige Einheit angezeigt wird.

Drücken und halten Sie die Taste **UNITS Cal** gedrückt, bis „CAL“ eingeblendet wird.



Drücken Sie die Taste **ON/ZERO Off** bei leerer Plattform, um den Waagennullwert zu erfassen. Auf der Anzeige erscheint „-C-“.



Nach Erfassung der Null wird das erforderliche Messspannen-Kalibriergewicht in der ausgewählten Einheit angezeigt.



Legen Sie das Kalibriergewicht auf die Plattform und drücken Sie die Taste **ON/ZERO Off**. Auf der Anzeige erscheint erneut „-C-“.



Nach der Messspannenerfassung kehrt die Anzeige zum normalen Wägemodus zurück.



HINWEIS: Die Meldung „CAL E“ wird eingeblendet, wenn ein falsches Kalibriergewicht aufgelegt wurde. Wiederholen Sie das Verfahren mit dem korrekten Kalibrierung Gewicht.

4.2 Kalibrierungsverriegelung

Die Kalibrierfunktion kann mithilfe eines internen Schalter verriegelt (deaktiviert) werden, sodass eine unbefugte Kalibrierung verhindert wird

Bauen Sie bei ausgeschalteter Waage den Teil des Indikatorkappe aus, indem Sie die zwei Schrauben an der Unterseite herausschrauben.

Schieben Sie den Schalter auf der Platine (mit der Markierung SW3) in die Position mit der Markierung „CAL LOCK“.

Bauen Sie das Gehäuse wieder zusammen.

Kleben Sie nach Bedarf manipulationssichere Etiketten über die Schraubenlöcher oder die Gehäusekanten

Wenn später eine erneute Kalibrierung erforderlich ist, muss das Gehäuse wieder geöffnet und der Sperrschalter muss wieder in die ursprüngliche Position gebracht werden

HINWEIS: Wird der Sperrschalter in die Position CAL LOCK gestellt, dann wird der Nullbereich beim Einschalten auf 10 % der vollen Kapazität reduziert.

5. WARTUNG

Vorsicht: Vor dem Reinigen die Waage ausschalten, und den Netzadapter entfernen.

5.1 Reinigen

Das Gehäuse kann gegebenenfalls mit einem Tuch, das mit einem milden Reinigungsmittel angefeuchtet wurde, gereinigt werden. Zur Reinigung des Gehäuses bzw. der Bedienfelder dürfen keine Lösungsmittel, Chemikalien, scheuernden Materialien, kein Ammoniak bzw. kein Alkohol verwendet werden.

5.2 Fehlersuche

In der folgenden Tabelle sind häufig vorkommende Probleme, ihre möglichen Ursachen und Abhilfemaßnahmen aufgeführt. Falls das Problem weiterhin auftritt, wenden Sie sich an Ohaus oder Ihren Vertragshändler.

TABELLE 5-1. FEHLERSUCHE.

Symptom	Mögliche Ursache(n)	Abhilfemaßnahme
Die Waage schaltet sich nicht ein.	Keine Stromzufuhr zur Waage Der Batteriestrom ist verbraucht.	Anschlüsse und Spannung überprüfen. Polarität der Batterie überprüfen.
Schlechte Genauigkeit	Falsche Kalibrierung. Instabile Umgebung	Kalibrierung durchführen. Waage an geeigneten Standort bringen
Gerät kann nicht kalibriert werden.	Das CAL LOCK ist eingeschaltet Instabile Umgebung Falsche Kalibriergewichte	CAL LOCK ausschalten (siehe Abschnitt 4.2). Waage an einen geeigneten Standort verlegen. Korrektes Kalibriergewicht verwenden
Auf der Waage wird „Lo bAt“ angezeigt.	Batterie ist leer.	An das Stromnetz anschließen oder die Batterien auswechseln.
Auf der Waage wird „Lo Line“ angezeigt.	Niedriger Leitungsspannung (Netzadapter)	Die Spannung der Stromquelle überprüfen.
Auf der Waage wird „E“ angezeigt.	Gewicht auf Schale überschreitet Kapazität.	Gewicht von der Schale abnehmen.
Auf der Waage wird „CALE“ angezeigt.	Falsches Kalibriergewicht auf der Schale	Korrektes Kalibriergewicht verwenden.
Auf der Waage wird „UnSt“ angezeigt.	Waage ist beim Einschalten instabil.	Waage in einer stabileren Umgebung aufstellen.

5.3 Wartungsinformationen

Wenn Ihr Problem im Abschnitt „Fehlersuche“ nicht gelöst oder beschrieben wird, wenden Sie sich an Ihren zugelassenen Service-Vertreter von Ohaus. Wenn Sie in den Vereinigten Staaten Hilfe oder technischen Support benötigen, rufen Sie zwischen 8.00 und 17.00 Uhr amerikanischer Ostküstenzeit bitte die (in den USA) gebührenfreie Nummer 1-800-526-0659 an. Ein Produktservice-Spezialist von Ohaus wird Ihnen dann weiterhelfen. Außerhalb der USA besuchen Sie unsere Website www.ohaus.com, um die für Sie am nächsten gelegene Ohaus-Geschäftsstelle zu finden.

6. TECHNISCHE DATEN

Die technischen Daten gelten bei folgenden Umgebungsbedingungen:

Umgebungstemperatur: 5 °C bis 40 °C / 41° to 104° F

Relative Feuchte: 10 % bis 80 % relative Feuchtigkeit, nicht kondensierend

6.1 Spezifikationen

TABELLE 6-1. SPEZIFIKATIONEN.

Modell	C11P9	C11P20	C11P75
Kapazität x Ablesbarkeit	9 kg x 0.005 kg 20 lb x 0.01 lb	20 kg x 0.01 kg 44 lb x 0.02 lb	75 kg x 0.05 kg 165 lb x 0.1 lb
Wä geeinheiten	kg, lb		
Modi	Einfaches Wä gen, dynamisches Wä gen		
Tastenfeld	2-Tasten, mechanisch		
Calibration Weights	9 kg / 20 lb	20 kg / 40 lb	50 kg / 100 lb
Anzeige	4-stellig, LCD, 0,8"/20 mm hoch		
Anzeigeindikatoren	Stabilität, Maßeinheit, dynamisches Wiegen, Batteriestatus wiegend		
Nullbereich	Zur Kapazität durch Abzug.		
Stabilisierungszeit	Innerhalb von 3 Sekunden		
Maximale Überlast	150%		
Betriebstemperaturbereich / Feuchte	41 ° bis 104 °F / 5 ° bis 40 °C bei 10 % bis 80 % relativer Feuchte, nicht kondensierend		
Stromvoraussetzungen	9-12 VDC 100mA AC Adapter (supplied) 3 °C Alkaline or rechargeable batteries (LR14) optional		
Automatisches Ausschalten	4 Minuten ohne Aktivität (nur Batteriebetrieb)		
Typische Batterielebensdauer	300 Stunden		
Waagenabmessungen (mm / in)	316 x 316 x 60/ 12.4 x 12.4 x 2.36		

6.2. Drawings and Dimensions

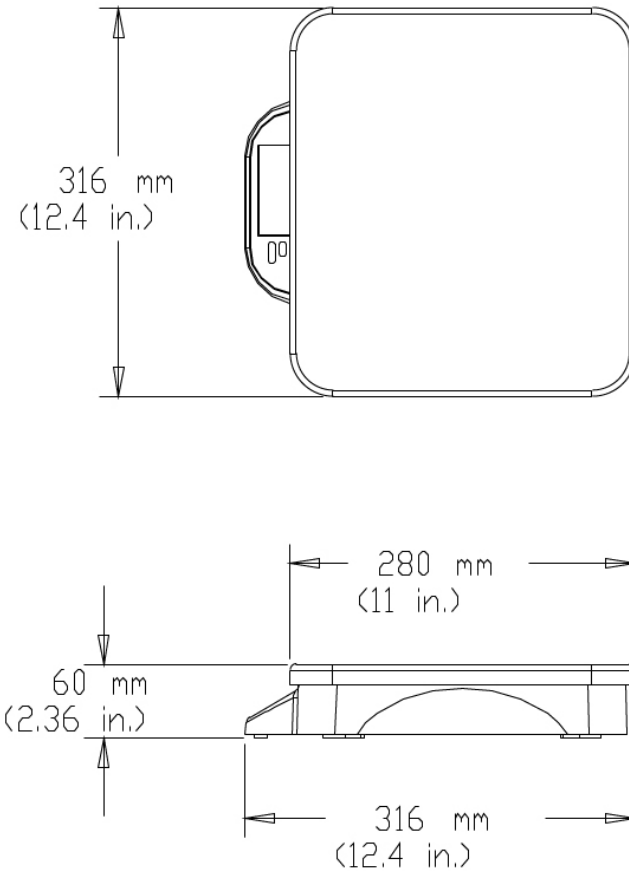




Abbildung 6-1. Gesamtabmessungen der Catapult 1000-Serie.

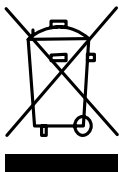
6.3. Befolgung

Befolgung zu den folgenden Standards wird durch die entsprechende Markierung auf dem Produkt angezeigt

Markierung	Sie Standard
	Dieses Produkt paßt sich an das EMC richtungweisendes 2004/108/EC und die Niederspannung richtungweisendes 2006/95/EC an. Die komplette Erklärung der Übereinstimmung ist von Ohaus Corporation vorhanden
	AS/NZS4251.1 Emission; AS/NZS4252.1 Immunity

Entsorgung

In Übereinstimmung mit den Anforderungen der Europäischen Richtlinie 2002/96 EG über Elektro- und Elektronik-Altgeräte (WEEE) darf dieses Gerät nicht mit dem Hausmüll entsorgt werden. Sinngemäss gilt dies auch für Länder ausserhalb der EU entsprechend den geltenden nationalen Regelungen.



Bitte entsorgen Sie dieses Produkt gemäss den örtlichen Bestimmungen in einer getrennten Sammlung für Elektro- und Elektronikgeräte.

Bei allfälligen Fragen wenden Sie sich bitte an die zuständige Behörde oder den Händler, bei dem Sie dieses Gerät erworben haben.

Bei Weitergabe dieses Gerätes (z.B. für private oder gewerbliche/industrielle Weiternutzung) ist diese Bestimmung sinngemäss weiterzugeben.

Vielen Dank für Ihren Beitrag zum Schutz der Umwelt.

ISO 9001 Registration

In 1994, Ohaus Corporation, USA, was awarded a certificate of registration to ISO 9001 by Bureau Veritas Quality International (BVQI), confirming that the Ohaus quality management system is compliant with the ISO 9001 standard's requirements. On May 15, 2003, Ohaus Corporation, USA, was re-registered to the ISO 9001:2000 standard.

BESCHRÄNKTE GARANTIE

Auf Ohaus-Produkte wird ab Datum der Auslieferung über die Dauer des Garantiezeitraums hinweg eine Garantie gegen Material- und Herstellungsmängel gegeben. Während des Garantiezeitraums wird Ohaus kostenlos jegliche Komponente(n), die sich als defekt erweist (erweisen), reparieren oder nach eigenem Ermessen ersetzen, wenn das Produkt bei Vorauszahlung der ersandkosten an Ohaus zurückgeschickt wird.

Die Garantie gilt nicht, wenn das Produkt durch einen Unfall oder durch Missbrauch beschädigt wurde, wenn es radioaktiven oder korrodierenden Materialien ausgesetzt wurde, wenn Fremdkörper das Innere des Produkts durchdrungen haben oder wenn es auf Grund einer Reparatur oder Modifikation beschädigt wurde, die nicht von Ohaus durchgeführt wurde. Wenn keine ordnungsgemäß zurückgeschickte Garantierregistrierungskarte vorliegt, beginnt der Garantiezeitraum am Datum der Lieferung an den Vertragshändler. Die Ohaus Corporation gibt keine sonstige ausdrückliche oder stillschweigende Garantie. Die Ohaus Corporation ist nicht für irgendwelche Folgeschäden haftbar.

Da die Gesetzgebung in Bezug auf Garantien von Bundesstaat zu Bundesstaat und von Land zu Land unterschiedlich ist, wenden Sie sich bitte an Ohaus oder Ihren örtlichen Ohaus-Händler, wenn Sie weitere Einzelheiten erfahren wollen.

1. INTRODUZIONE

Questo manuale illustra l'installazione, il funzionamento e la manutenzione delle serie di bilance Catapult™ 1000. Leggere il manuale completamente, prima di utilizzare la bilancia.

1.1 Precauzioni di sicurezza

Seguire le precauzioni di sicurezza riportate di seguito:

- Verificare che la tensione d'ingresso dell'adattatore CA corrisponda alla tensione di rete.
- Non immergere la bilancia in acqua o in altri liquidi.
- Non utilizzare la bilancia in ambienti difficili.
- Non lasciar cadere pesi sulla piattaforma.
- Non capovolgere la bilancia con il vassoio rivolto verso il basso.
- La manutenzione deve essere eseguita soltanto da personale autorizzato.
- Prima di effettuare la pulizia della bilancia, scollegare l'alimentazione elettrica.

1.2 Comandi

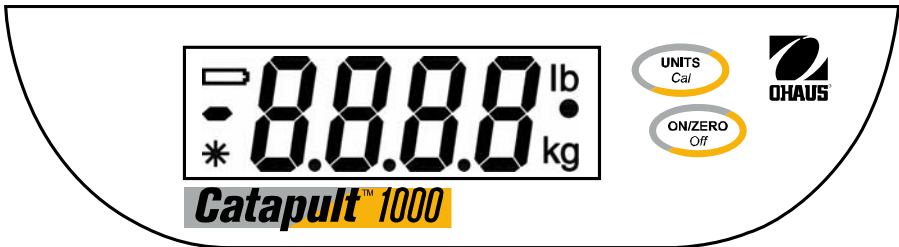




Figura 1-1. Controlli.

TABLE 1-1. CONTROL FUNCTIONS.

Pulsante		
Funzione principale (pressione breve)	<p>ON/ZERO</p> <p>Accende la bilancia. Se la bilancia è accesa: Imposta lo zero. Per simulare una funzione di tara</p>	<p>UNITS</p> <p>Modifica l'unità di misura. Entra nel modo di pesa dinamica. Inizia il conto alla rovescia nel modo di pesa dinamica.</p>
Funzione secondaria (pressione lunga)	<p>Off</p> <p>Spegne la bilancia.</p>	<p>Cal</p> <p>Inizia il processo di taratura.</p>

1.2 Finestra del display

1.2.1 Caratteri numerici grandi a 7 segmenti:

i valori del peso (massa) vengono visualizzati utilizzando 4 cifre incluso il segno negativo e le cifre decimali. Anche i prompt per la taratura e possibili condizioni di errore vengono visualizzati utilizzando queste cifre.

1.2.2 Indicazione di lettura stabile:

per indicare quando la lettura è stabile, viene visualizzato un * nell'angolo in basso a sinistra del display.


1.2.3 Indicazione di unità di peso:

l'unità di peso selezionata viene visualizzata sul lato destro del display.

1.2.3 Indicazione modalità Pesa dinamica:

In questa modalità lampeggia un • accanto all'unità di misura selezionata.

1.2.3 Indicatore di batteria in esaurimento:

il simbolo della batteria sul lato sinistro del display  indica una condizione di batteria in esaurimento. Una volta in primo luogo visualizzate, circa 12 ore del funzionamento rimangono. Quando la batteria è completamente scarica, la bilancia visualizza momentaneamente il messaggio "Lo bAt" (Batteria in esaurimento) e si spegne.

2. INSTALLAZIONE

2.1 Contenuto della confezione

- Bilancia
- Alimentatore di rete
- Manuale di istruzioni
- Scheda di garanzia

2.2 Ubicazione

Utilizzare la bilancia su una superficie solida e ferma. Evitare luoghi con correnti d'aria, vibrazioni, fonti di calore eccessive o brusche variazioni di temperatura.

2.3 Alimentazione

2.3.1 Alimentazione CA

Quando l'alimentazione a batteria non è disponibile, per avviare la bilancia è possibile utilizzare l'alimentatore di rete (in dotazione). Collegare la presa dell'alimentatore di rete allo spinotto di ingresso. Inserire l'alimentatore di rete in una presa di alimentazione correttamente messa a terra.

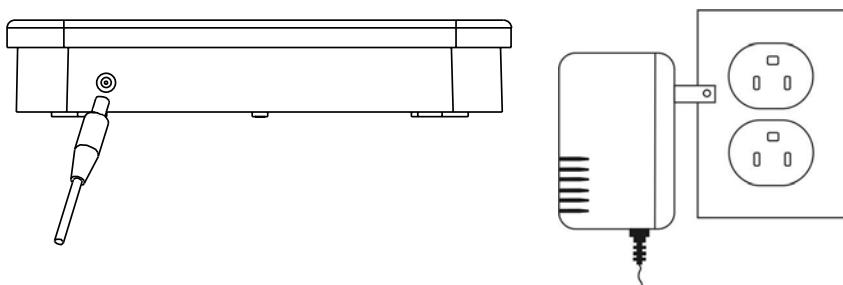


Figura 2-1. Collegamento dell'alimentazione.

2.3.2 Installazione della batteria (opzionale)

Aprire il coperchio della batteria nella parte inferiore della bilancia e installare le tre batterie alcaline "C" (LR14) o le batterie ricaricabili nel compartimento. Orientare le batterie come illustrato sulla parte interna del compartimento. Chiudere il coperchio della batteria. **NOTA:** le batterie non sono incluse.

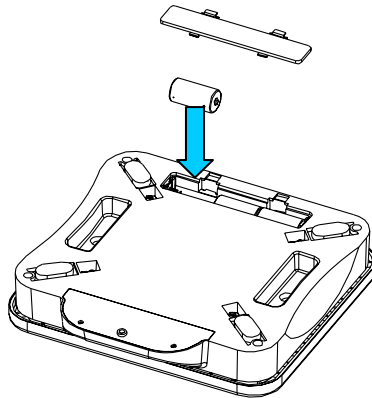


Figure 2-2. Installazione delle batterie.



ATTENZIONE: non disfarsi delle batterie usate nei contenitori per la raccolta dei rifiuti normali. Attenersi ai requisiti di smaltimento riciclaggio corretto in conformità con le norme e le disposizioni locali.

3. FUNZIONAMENTO

3.1 Accensione/Spegnimento della bilancia

Per accendere la bilancia, premere il pulsante **ON/ZERO Off**. La bilancia effettua un test del display, che momentaneamente visualizza informazioni sul modello/software e accede alla modalità di pesa attiva. Per spegnere la bilancia, tenere premuto il pulsante **ON/ZERO Off** fino a visualizzare OFF.

3.2 Funzione Zero

preme il pulsante **ON/ZERO Off (Acceso/Zero spento)**, il display della bilancia ritorna a zero. Quando si aggiunge una massa addizionale, è possibile utilizzare il pulsante **ON/ZERO Off (Acceso/Zero spento)** ripetutamente fino a raggiungere la piena capacità della bilancia. Quando si utilizza un contenitore, per simulare una funzione di tara è possibile utilizzare il pulsante **ON/ZERO Off (Acceso/Zero spento)**. È possibile aggiungere un'ulteriore massa come peso NETTO. Quando si rimuovono sia il campione che il contenitore dalla bilancia, potrebbe essere

visualizzato un valore negativo. Prima del successivo uso, azzerare nuovamente la bilancia.

NOTA: il pulsante **ON/ZERO Off (Acceso/Zero spento)** eseguirà una vera funzione di impostazione zero quando i valori visualizzati sono entro il $\pm 2\%$ della piena capacità. Superiore a 2%, la gamma è limitata a capienza completa da sottrazione.

3.3 Modifica dell'unità di misura

Premere il pulsante **UNITS Cal (Unità / Taratura)** per visualizzare la prossima unità di misura disponibile.

3.4 Spegnimento automatico

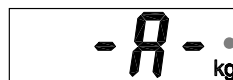
per allungare la durata della batteria, la bilancia si spegne automaticamente dopo circa quattro minuti di inattività. Questa funzione è attiva solo durante il funzionamento della batteria.

3.5 Pesa dinamica

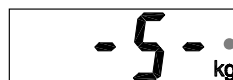
Con la piattaforma vuota, premere il pulsante **UNITS Cal (Unità / Taratura)** per passare tra le unità. La modalità dinamica è attiva quando l'indicatore • lampeggia.



Posizionare una massa sulla piattaforma. La bilancia visualizzerà "-A-". **NOTA:** Se si utilizza un contenitore, premere **ON/ZERO Off (Acceso/Zero spento)** per tarare il peso e tornare allo zero.



Con una massa sulla piattaforma o sul contenitore, premendo il tasto **UNITS Cal (Unità / Taratura)** si avvia il conteggio alla rovescia di media da 5 secondi.



Viene quindi visualizzato il peso medio. L'indicatore • smette di lampeggiare quando il processo è completo.



Il display lo visualizza fino a quando non si preme un pulsante.

Per ripetere il processo premere **UNITS Cal (Unità / Taratura)** con una massa sulla piattaforma o nel contenitore.

Per uscire, rimuovere la massa dalla piattaforma o dal contenitore e premere **UNITS Cal (Unità / Taratura)**.

4. TARATURA

Per risultati ottimali, tarare la bilancia a intervalli regolari (i pesi di taratura non vengono forniti con la bilancia).



ATTENZIONE

PRESTARE LA MASSIMA ATTENZIONE DURANTE LA GESTIONE DEI PESI DI TARATURA, DAL MOMENTO CHE SONO MOLTO PESANTI. METODI DI SOLLEVAMENTO IMPROPRI DEI PESI DI TARATURA POSSONO CAUSARE LESIONI PERSONALI. PER OTTENERE IL PESO DI TARATURA RICHIESTO, È POSSIBILE UTILIZZARE PIÙ PESI.

NOTA:

- Prima di avviare la taratura, accertarsi che siano disponibili le masse di taratura adeguate (vedere la Tabella 4-1).
- Per tutta la durata della procedura di taratura, accertarsi che la bilancia sia a livello e in una posizione stabile.
- La taratura non è disponibile nella modalità di pesa dinamica.
- La taratura non è disponibile se è attivo LFT (approvato per il commercio).
Attendere il riscaldamento della bilancia per circa 5 minuti dopo l'assestamento alla temperatura ambiente.
- Per interrompere la taratura, premere **UNITS Cal (Unità / Taratura)**, o spegnere la bilancia.

TABELLA 4-1. PESI DI TARATURA.

Modello	Pesi per taratura (kg/lb)
C11P9	9 / 20
C11P20	20 / 40
C11P75	50 / 100

4.1 Taratura a intervallo

La taratura a intervallo utilizza due punti per regolare la bilancia. Il primo punto è costituito dal valore zero, quando sulla bilancia non è presente alcun peso; il secondo punto è il valore di intervallo quando sulla bilancia viene collocato una massa di taratura.

Per selezionare l'unità di pesa da utilizzare per la taratura, premere il pulsante **UNITS Cal (Unità / Taratura)** finché non viene visualizzata la corretta unità.

Tenere premuto il pulsante **UNITS Cal (Unità / Taratura)** fino a quando non viene visualizzato il messaggio "CAL" (Taratura).



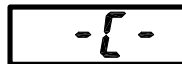
Con la piattaforma vuota, premere il pulsante **ON/ZERO Off (Acceso/Zero spento)** per catturare lo zero della bilancia. Il display visualizzerà "-C-".



Una volta catturato lo zero, viene visualizzato il peso di taratura dell'intervallo richiesto con l'unità selezionata.



Posizionare il peso di taratura sulla piattaforma e premere il pulsante **ON/ZERO Off (Acceso/Zero spento)**. Il display visualizzerà di nuovo "-C-".



Dopo aver catturato l'intervallo, il display tornerà alla normale modalità di pesa.



NOTA: se è stato applicato un peso di taratura non corretto, verrà visualizzato il messaggio "CAL E". Ripeti la procedura usando il peso corretto di calibratura.

4.2 Blocco della taratura

mediante un interruttore interno, è possibile bloccare (disabilitare) la funzione di taratura e impedire una ritaratura non autorizzata.

Con la bilancia accesa, rimuovere la copertura sotto l'indicatore svitando le due viti nella parte inferiore.

Far scorrere l'interruttore sul PCB (contrassegnato con SW3) alla posizione contrassegnata con "CAL LOCK" (Blocco taratura).

Rimontare la copertura.

Se richiesto, posizionare le evidenti etichette sigillanti del pestello sopra i fori della vite o sopra i margini dell'alloggiamento.

Se è necessaria una ritaratura successiva, sarà necessario riaprire l'alloggiamento e rimettere l'interruttore di blocco in posizione originale.

NOTA: quando l'interruttore di blocco è impostato nella posizione CAL LOCK (Blocco taratura), l'intervallo zero di accensione è ridotto al 10% della piena capacità.

5. MANUTENZIONE

Attenzione: prima di effettuare la pulizia, spegnere la bilancia, e scollegare l'alimentatore di rete.

5.1 Pulizia

Il pannello può essere pulito con un panno inumidito con un detergente delicato. Non utilizzare solventi, prodotti chimici, alcol, ammoniaca o abrasivi per pulire il telaio o i pannelli di controllo.

5.2 Individuazione guasti

La tabella seguente elenca alcuni problemi comuni, le loro cause possibili e le varie soluzioni. Se il problema persiste, contattare Ohaus o un rivenditore autorizzato.

TABLE 5-1. RISOLUZIONE DEI PROBLEMI.

Sintomo	Cause possibili	Soluzione
Scale will not turn on	Bilancia non alimentata Batteria scarica	Verificare connessioni e tensione Verificare polarità delle batterie.
Poor accuracy	Taratura impropria . Ambiente non stabile.	Eseguire taratura. Spostare la bilancia in una posizione adatta
Impossibile effettuare la taratura	CAL LOCK attivato Ambiente non stabile Massa di taratura sbagliata	Disattivare CAL LOCK (see section 4.2) Spostare la bilancia in una posizione adatta. Utilizzare una massa di taratura corretta
La bilancia visualizza Lo bAt	La batteria è scarica	Collegare l'alimentazione o cambiare le batterie
La bilancia visualizza "Lo Line"	bassa tensione di linea (alimentazione di rete)	Verificare tensione di fonte
La bilancia visualizza "E"	Peso sul vassoio che supera la capacità	Rimuovere il peso dal vassoio
La bilancia visualizza "CALE"	Peso di taratura non corretto sul vassoio	Usare il peso corretto di taratura
La bilancia visualizza "UnSt"	La bilancia è instabile all'accensione.	Riassegnare bilancia ad un ambiente più stabile

5.3 Informazioni relative all'assistenza

Se la sezione Individuazione guasti non risolve o non descrive il problema incontrato, contattare l'assistenza tecnica autorizzata Ohaus. Per l'assistenza negli Stati Uniti, chiamare il numero verde USA 800-526-0659 tra le 8.00 e le 17.00 EST (ora della costa orientale degli Stati Uniti). Il personale specializzato addetto alla manutenzione sarà disponibile per l'assistenza. Fuori dagli Stati Uniti, consultare il nostro sito Web, **www.ohaus.com**, per individuare l'ufficio Ohaus più vicino.

6. DATI TECNICI

I dati tecnici sono validi per le seguenti condizioni ambientali:

Temperatura ambiente: da 5 °C a 40 °C / 41° to 104° F

Umidità relativa: dal 10% al 80% di umidità relativa, senza condensa

6.1 Specifiche tecniche

TABELLA 6-1. SPECIFICHE.

Modello	C11P9	C11P20	C11P75
Capacità x Leggibilità	9 kg x 0.005 kg 20 lb x 0.01 lb	20 kg x 0.01 kg 44 lb x 0.02 lb	75 kg x 0.05 kg 165 lb x 0.1 lb
Unità di misura	kg, lb		
Modalità	Pesare semplice, pesare dinamico		
Tastierino	2 pulsanti meccanici:		
Pesi di taratura	9 kg / 20 lb	20 kg / 40 lb	50 kg / 100 lb
Display	4 cifre, LCD, altezza 20 mm/0,8"		
Indicatori del display	Stabilità, pesante unità, pesare dinamico, condizione della batteria		
Intervallo Tara	A capienza da sottrazione.		
Tempo di stabilizzazione	≤ 3 secondi		
Sovraccarico massimo	150%		
Temperatura / umidità di funzionamento	da 5 a 40 °C (da 41 a 104 °F) dal 10% al 80% di umidità relativa, senza condensa		
Requisiti di alimentazione	9-12 VCC 100mA alimentatore di rete (in dotazione) 3 batterie alcaline "C" (LR14) o le batterie ricaricabili (opzionale)		
Spegnimento automatico	4 minuti senza attività (solo funzionamento a batteria)		
Durata media della batteria	300 ore		
Dimensioni della bilancia (mm / in)	316 x 316 x 60/ 12.4 x 12.4 x 2.36		

6.2. Drawings and Dimensions

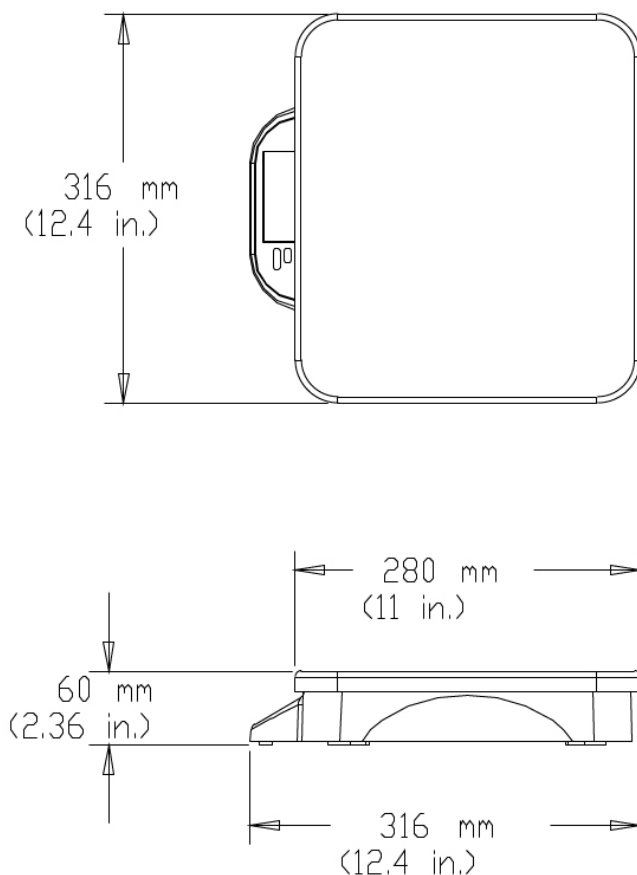




Figura 6-1. Dimensioni complessive serie Catapult 1000.

6.3. Conformità

La conformità ai seguenti campioni è indicata dal contrassegno corrispondente sul prodotto.

Mark	Standard
	Questo prodotto è conforme al EMC 2004/108/EC direttivo e la bassa tensione 2006/95/EC direttivo. La dichiarazione completa di conformità è disponibile da Ohaus Corporation
	AS/NZS4251.1 Emission; AS/NZS4252.1 Immunity

Smaltimento

In conformità a quanto stabilito dalla Direttiva Europea 2002/96 CE in materia di apparecchi elettrici ed elettronici (RAEE), questo strumento non può essere smaltito come i normali rifiuti. Tale presupposto resta valido anche per i Paesi al di fuori dei confini della UE, conformemente alle norme nazionali in vigore.



Si prega quindi di smaltire questo prodotto separatamente e in modo specifico secondo le disposizioni locali relative alle apparecchiature elettriche ed elettroniche.

Per qualsiasi chiarimento, rivolgersi agli enti preposti o al rivenditore dell'apparecchiatura stessa.

In caso di cessione dello strumento (per es. per ulteriore utilizzo privato o aziendale/industriale), si prega di comunicare anche questa disposizione.

Si ringrazia per il contributo alla tutela dell'ambiente.

Registrazione ISO 9001

Nel 1994, Ohaus Corporation, USA, ha ricevuto il certificato di registrazione ISO 9001 da Bureau Veritas Quality International (BVQI), come conferma che il sistema di gestione della qualità Ohaus risponde alle caratteristiche standard di ISO 9001. Il 15 Maggio 2003, Ohaus Corporation, USA, è stata reregistrata per la normativa ISO 9001:2000.

GARANZIA LIMITATA

I prodotti Ohaus sono garantiti contro difetti nei materiali e nella lavorazione dalla data di consegna per tutta la durata del periodo di garanzia. Durante il periodo di garanzia Ohaus riparerà o, a sua scelta, sostituirà tutti i componenti che siano difettosi senza costo alcuno, purché il prodotto venga rinviato, con spese prepagate, alla Ohaus.

Questa garanzia non è valida se il prodotto è stato danneggiato o trattato con poca cura, esposto a materiali radioattivi o corrosivi, se vi siano penetrati materiali estranei o in seguito ad assistenza eseguita da personale non Ohaus. In assenza di una scheda di garanzia rinviata insieme al prodotto, il periodo di garanzia avrà inizio dal momento della spedizione del prodotto al rivenditore autorizzato. Non viene rilasciata nessun'altra garanzia espressa o implicita da parte della Ohaus Corporation. Ohaus Corporation non sarà responsabile per qualsiasi danno indiretto.

Vista la diversità di normativa tra i vari Stati in termini di garanzia, contattare direttamente la Ohaus o il rivenditore locale Ohaus per ulteriori dettagli.