



FD Series

Food Portioning Scale



**SUPPORTS HACCP
COMPLIANCE**



The OHAUS FD Food Portioning Scale—Speed, Durability and Cleanliness Designed for Food Service Use

The OHAUS Food Portioning Scale is a rugged, multi-use portioning scale designed for use in food service applications. Ideally suited for food portioning and checkweighing, the FD Food Portioning Scale combines an easily cleaned design, fast display and high precision loadcell. Designed for use in restaurants, bakeries, food manufacturing and other areas requiring fast operation and flexibility, the OHAUS Food Portioning Scale offers durability and cleanliness in one economical design.

Unique Features Include:

- All-stainless steel construction
- NSF listed/certified to NSF/ANSI 169-2005 (formerly NSF C-2) and USDA-AMS accepted to NSF/3-A 14159-1; supports HACCP compliance
- Non-H models feature 1:3,000 NTEP certified and Measurement Canada approved resolutions
- Checkweighing mode with 3 LED indicators and audible alarm, percentage weighing mode
- Bright backlit LCD display
- Stable weight display within 2 seconds
- Multiple weighing units including percent weighing, lb, decimal and fractional oz, kg, g, and lb:oz
- External tare switch connection
- Integrated level bubble and adjustable feet
- Standard AC power adapter and 120-hour internal lead acid rechargeable battery pack

FD Series Food Portioning Scale

Easy to Set-Up for Your Operation:

The OHAUS FD Food Portioning Scale Has All The Features You Need:

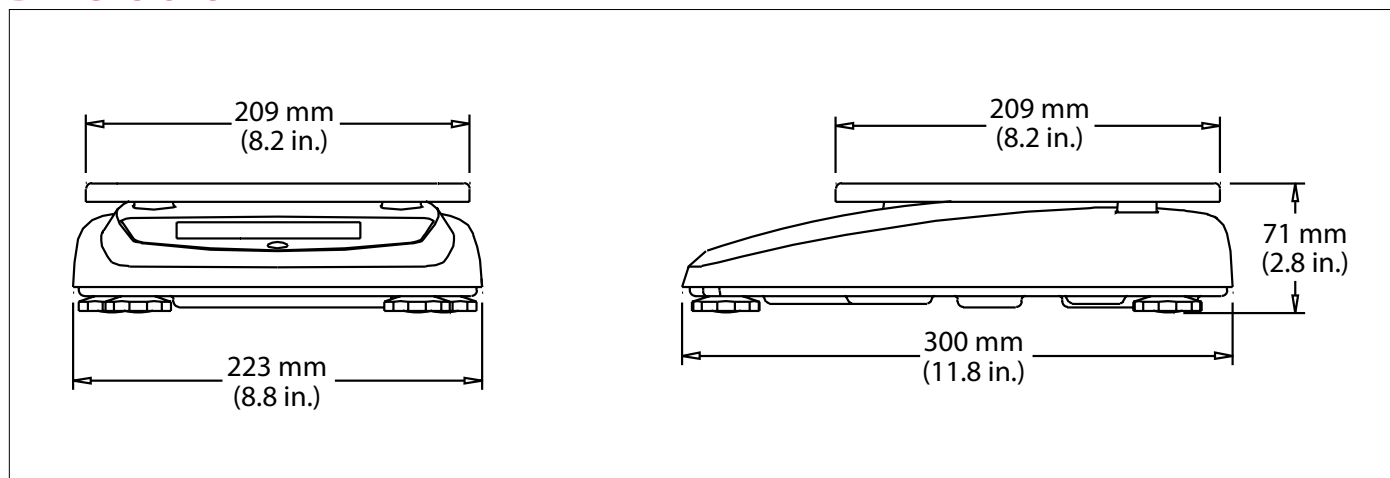
- **Selectable Weighing Units**—The FD Food Portioning Scale can be set up to display all, some, or only one weighing unit to match the requirements of your operation.
- **Lb & Oz Display**—The FD Food Scale can display a decimal pound to 3 decimal places, as well as ¼ fractional or decimal ounces, and can even display results in a combined lb:oz display.
- **Metric Display**—For metric use, the FD Food Scale can display results in kilograms or grams with a readability ranging from 0.5 g to 2 g, depending on model.
- **Percent Weight**—Allows users to compare the weight of a sample as a percentage of a reference weight.
- **Change Units Quickly**—The unit displayed can be changed with a single key press
- **Set It Up and Lock It In**—The FD Food Portioning Scale can be set to the mode and weighing units required, and then locked-in using either software or hardware locks. The OHAUS FD Food Portioning Scale can be locked to ensure the configuration you choose is the configuration you use!
- **Easy to Calibrate**—The FD Food Portioning Scale's software menu allows the user to recalibrate the FD Scale to ensure accurate results. To prevent accidental recalibration, the FD Food Portioning Scale also can be configured using software and hardware calibration lockouts. The user can calibrate the FD scale using either span (two-point) or linear (three point) calibration setups.
- **Legal-For-Trade Modes Included**—For operations that require certified performance, either to NTEP or Measurement Canada standards, the Food Portion Scale includes legal-for-trade software (non-H models only).

For Checkweighing Applications, The OHAUS FD Can Be Quickly Configured:

The FD Portioning Scale can be set to either simply display a weight, or can be set to act as a dedicated, lowprofile checkweigher for food portioning and grading:

- **Portioning and Prepackaging**—With the positive checkweighing mode for packaging, add to the portion on the pan until you reach the weight you need
- **Portioning Out of the Box**—Use the negative checkweighing mode for portioning and pizza making, portioning
- **out of a container on the pan until the required weight is reached**
- **Sorting & Grading**—The “zero” checkweighing method is designed for sorting and grading operations, so you can check portions against preset limits
- **Quickly Set Targets**—Target weights can be entered quickly using the dedicated Setpoint key
- **Bright LED's and Buzzer Speed Use**—Progress against weight targets can be indicated with the three LED's, with indications for Over, Accept and Under with selectable audible buzzer.

Dimensions

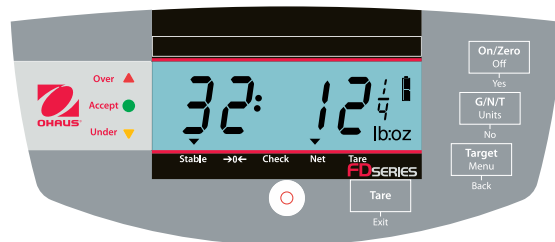


FD Series Food Portioning Scale

Designed for Food Service Use:

Fast, Easy-To-Read Display—The FD Food Portioning Scale is designed to clearly and quickly display weighing results:

- Large, backlit LCD display
- Fast display updates—within 2 seconds
- Bright LED indicators for Checkweighing mode
- Text display of weight units—no cryptic unit designations or hard-to-read annunciators
- Audible buzzer alerts user when limits are reached
- Battery power level indicator
- Bright annunciators for scale stability, center of zero, net and tare weights, checkweighing mode indication



Manual or Auto Tare—The FD Food Portioning Scale can be configured to accept tare signals using:

- Manual taring using the large, dedicated Tare key
- The FD can be set-up to automatically tare the first weight placed on the pan
- For hands-free operation, the FD scale can also be tared using an external tare switch



FD Series Food Portioning Scale

Model	FD3	FD6	FD15
Capacity × Default Readability	3 kg × 0.0005 kg 3,000 g × 0.5 g 6 lb × 0.001 lb 96 oz × 0.02 oz or ¼ oz 6 lb:0 oz × 0.1 oz or ¼ oz	6 kg × 0.001 kg 6,000 g × 1 g 15 lb × 0.002 lb 240 oz × 0.05 oz or ¼ oz 15 lb:0 oz × 0.1 oz or ¼ oz	15 kg × 0.002 kg 15,000 g × 2 g 30 lb × 0.005 lb 480 oz × 0.1 oz or ¼ oz 30 lb:0 oz × 0.1 oz or ¼ oz
Capacity × Readability Certified/Approved*	3 kg × 0.001 kg 3,000 g × 1 g 6 lb × 0.002 lb 96 oz × 0.05 oz	6 kg × 0.002 kg 6,000 g × 2 g 15 lb × 0.005 lb 240 oz × 0.1 oz	15 kg × 0.005 kg 15,000 g × 5 g 30 lb × 0.01 lb 480 oz × 0.2 oz
Model	FD3H	FD6H	FD15H
Capacity × Readability Maximum Displayed Readability	3 kg × 0.0001 kg 3,000 g × 0.1 g 6 lb × 0.0002 lb 96 oz × 0.005 oz 96 oz × ¼ oz 6 lb 0 oz × 0.1 oz 6 lb 0 oz × ¼ oz	6 kg × 0.0002 kg 6,000 g × 0.2 g 15 lb × 0.001 lb 240 oz × 0.01 oz 240 oz × ¼ oz 15 lb 0 oz × 0.1 oz 15 lb 0 oz × ¼ oz	15 kg × 0.001 kg 15,000 g × 1 g 30 lb × 0.001 lb 480 oz × 0.02 oz 480 oz × ¼ oz 30 lb 0 oz × 0.1 oz 30 lb 0 oz × ¼ oz
Weighing Units	Pound, decimal ounce, ¼, ½ and ¼ fractional ounce, gram, kilogram, combined lb:oz display* (either decimal or fractional ounces)		
Application Modes	Weighing, Checkweighing, Percent Weighing		
Display	0.75 in. (19 mm) high 5-digit, 7-segment backlit blue LCD display		
Display Indicators	Stability, center of zero, tare or net weight, battery status, checkweigh mode		
Checkweighing Indicators	3 LED (yellow, green, red) with configurable operation and alert beeper		
Keyboard	4 – button membrane switch		
Environmental Protection	IP 43		
Tare Range	Full Capacity by Subtraction		
Stabilization Time	< 2 seconds		
Auto-Zero Tracking	Off, 0.5, 1 or 3 divisions		
Overload Capacity	150% of capacity		
AC Power	9 VDC 0.5A AC Wall Adapter 100-120 V AC, 50/60 Hz		
Battery	Internal rechargeable sealed lead-acid battery with 120 hours continuous use		
Calibration	User-selectable external span or linearity calibration		
Operating Temperature and Humidity Range	14°F to 104 °F / -10 °C to 40 °C, 10 to 85% relative humidity, non-condensing		
Pan Size	8.2 × 8.2 in. / 209 × 209 mm		
Scale Dimensions W × H × D	9 × 12 × 2.8 in. / 300 × 223 × 71 mm		
Shipping Dimensions W × H × D	15.8 × 12.6 × 7.3 in. / 400 × 320 × 185 mm		
Net Weight	8 lb / 3.6 kg		
Shipping Weight	11 lb / 5 kg		

* lb:oz display not available in legal-for-trade application mode.

Physical Features

Stainless steel top and bottom housings, dishwasher safe stainless steel pan, backlit LCD display, rubber user-adjustable leveling feet, front panel leveling bubble, internal rechargeable lead-acid battery, external AC wall adapter, weight/mode stability/center of zero/net weight/tare weight/text unit indication, 4-bar battery status indicator with low-battery warning, 3 LED's and buzzer for use in checkweighing mode, dedicated tare key, audible buzzer with user-selectable volume control, selectable scale auto-off, sealable scale configuration and calibration lockout switch.

Operational Features

Selectable environmental averaging settings, backlight control with auto-off option, selectable weighing units, configurable checkweighing mode, configurable software lockout menu, span or linearity calibration in kg or lb unit with optional external masses, semi-automatic or automatic tare, selectable auto-zero tracking.

Compliance

- **Food Service:** NSF Listed/Certified to NSF/ANSI 169-2005 Special Purpose Food Equipment and Devices (formerly NSF C-2); USDA/AMS Accepted to NSF/3-A 14159-1 Hygiene Requirements for the Design of Meat and Poultry Processing Equipment; meets requirements for HACCP conformity.
- **Electrical/Emissions:** UL C US listed, meets AS/NZS4251.1 Emission/AS/NZS4252.1 Immunity, FCC Class B Part 15 operation, Industry Canada Class B.
- **Legal-for-Trade:** Non-H models are NTEP certified (CC No. 05-072A1), Measurement Canada approved (No. AM-5582).

Accessories

Hard shell carry case80251394

74287_H 20200514 © Copyright OHAUS Corporation

