



Navigator[®] Balances
Instruction Manual

Balanzas Navigator[®]
Manual de instrucciones

Balances Navigator[®]
Manuel d'instructions

Navigator[®] Waagen
Bedienungsanleitung

Bilance Navigator[®]
Manuale di istruzioni

1. INTRODUCTION

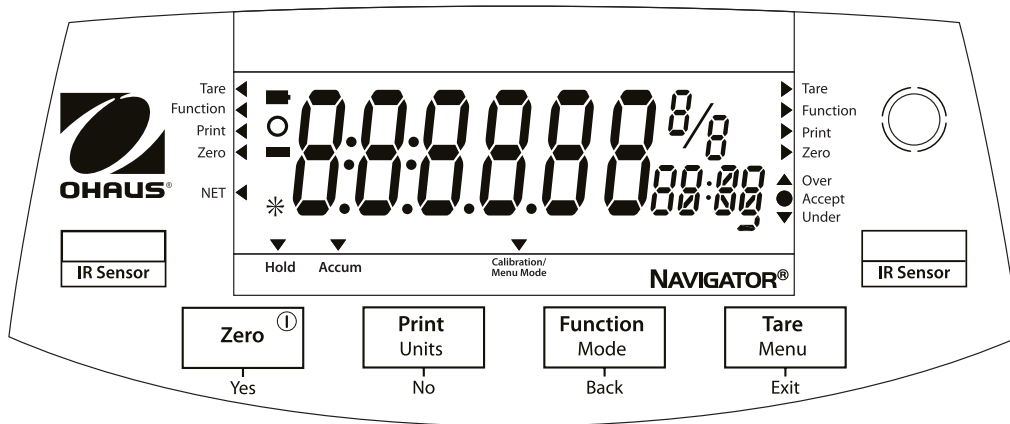
This manual contains installation, operation and maintenance instructions for the Navigator® Series. Please read the manual completely before using the balance.

1.1 Safety Precautions

Please follow these safety precautions:

- Verify that the AC Adapter input voltage matches the local AC power supply.
- Only use the balance in dry locations.
- Do not operate the balance in hostile environments.
- Do not drop loads on the platform.
- Service should be performed only by authorized personnel.

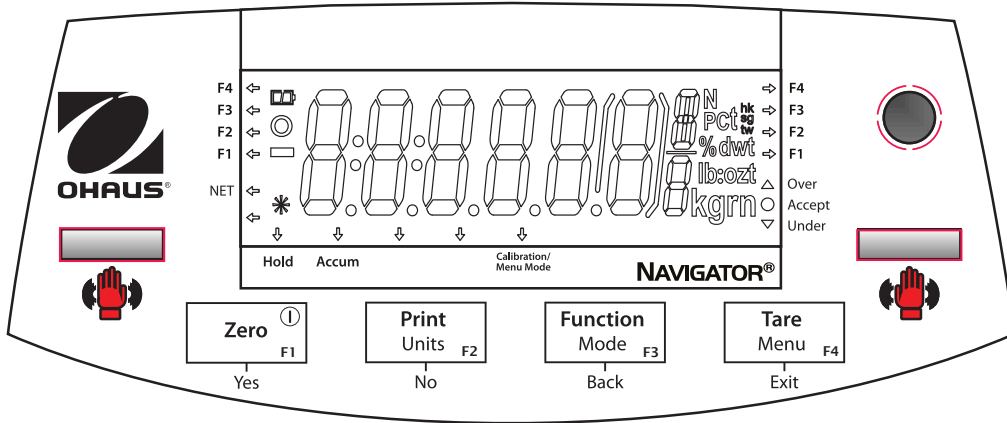
1.2. Controls



Standard (non-approved) models – shown with LED display.

Button	Functions
Zero ①	Short Press (when on): Sets display to zero (when off): Turns balance on Long Press (when on): Turns the balance off
Yes	Short Press (in Menu): Selects/accepts displayed setting
Print Units No	Short Press: See Interface Manual for operation description. Long Press: Toggles through active units Short Press (in Menu): Toggles through available settings
Function Mode Back	Short Press: Selects function setting Long Press: Selects active Mode Short Press (in Menu): returns to previous settings
Tare Menu Exit	Short Press: Enter / clear a Tare value Long Press: Enters User Menu Short Press (in Menu): Quickly exit User Menu
IR Sensor-Left IR Sensor-Right	IR Sensors can be programmed to act as “touchless” buttons. See the User Menu section 4.3 for the available settings.

The IR Sensors can be activated by a hand or other object that is placed about 12mm (½ inch) above the sensor locations. The sensor activation distance will vary based on the reflective nature of the object. If unwanted activations occur due to unique situations the sensors can be turned off.



Approved models – shown with LCD display.

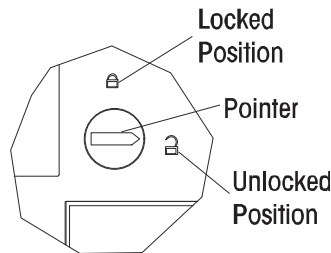
2. INSTALLATION

2.1 Package Contents

- Balance
- Power Adapter
- Warranty Card
- Pan
- Instruction Manual

2.2 Transportation Lock

The Transportation Lock is located under the balance. Rotate the pointer to the unlocked position.

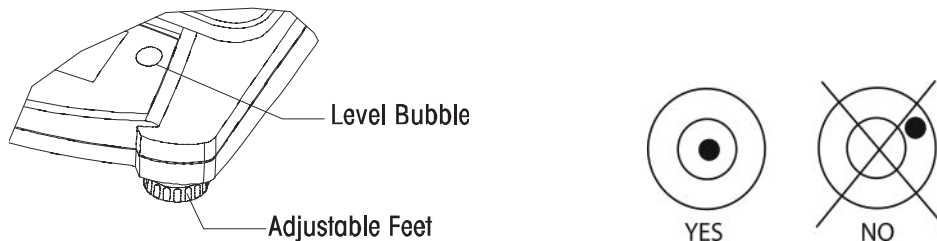


Note: No shipping lock on Approved models.

2.3 Location

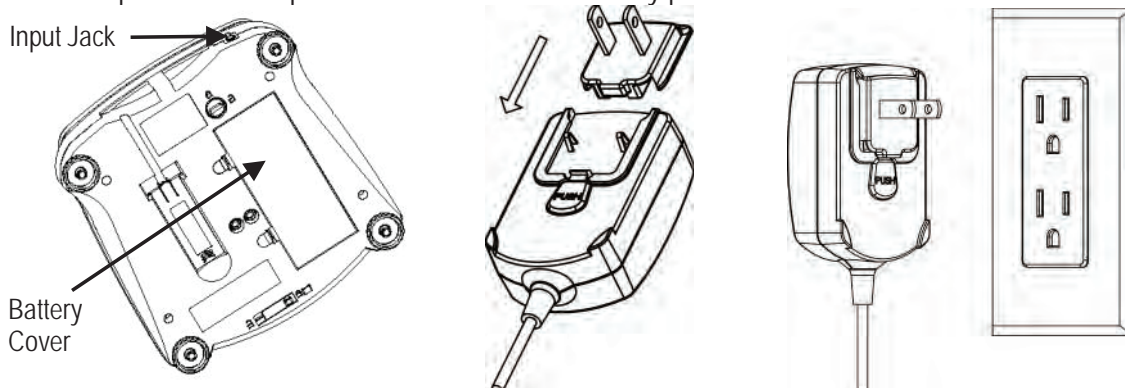
Use the balance on a firm, steady surface. Avoid locations with excessive air current, vibrations, heat sources, or rapid temperature changes.

Adjust the leveling feet so the bubble is centered in the circle.



2.4 Power

The AC Adapter is used to power the balance when battery power is not needed.



Connect the AC Adapter plug to the input jack.

Connect AC Adapter to the proper AC supply.

Battery installation (without optional internal battery):

Remove battery cover and install 4 batteries using the polarity indications as shown in the compartment.

Optional rechargeable battery (NVL and NVT models only):

Balances with the optional rechargeable battery will need to be charged for 12 hours before the balance can be operated on battery power for the first time. The battery is protected from overcharging so the balance can remain connected to the AC power. When the battery is fully charged the battery indicator on the display will stop blinking.

To remove the rechargeable battery option and install C cell batteries, reference the Recharging Battery Option instruction manual for step by step instructions as well as disposal instructions.



Caution: Risk of explosion can occur if the rechargeable battery is replaced with the wrong type or if it is not properly connected.

2.5 Initial Calibration

When the balance is first installed it should be calibrated to ensure accurate results.

Press and hold **Menu** until [MENU] (Menu) is displayed. When the button is released, the display will display [.C.R.L.]. Press **Yes** to accept, [SPAN] will then be shown. Press **Yes** again to begin the span calibration. [- - -] blinks while zero reading is stored. Next, the display shows the calibration weight value. Place the specified calibration mass on the pan. [- - -] blinks while the reading is stored. The balance returns to the previous application mode and is ready for use.

Required Span Calibration Mass (sold separately)					
Capacity	Mass*	Capacity	Mass*	Capacity	Mass*
210g	200g	1600g - 2100g	1kg / 2lb	6400g - 10kg	5kg / 10lb
310g - 510g	300g	3100g - 4100g	2kg / 5lb	16kg - 20kg	10kg / 20lb
1100g	500g / 1lb	5100g	3kg / 5lb		

* Pound masses are used when calibrating in the lb unit.

3. OPERATION

All modes except for weighing must be activated in the User Menu before they are available, see Section 4.

3.1 Weigh Mode

1. Press and hold **Mode** until [**WEIGH**] (Weigh) is displayed.
2. If required, place an empty container on the pan and press **Tare**.
3. Add material to the container. The display shows the weight of the material.

3.2 Parts Counting Mode

This mode counts large numbers of items based on the weight of a reference count.

1. Place an empty container on the pan and press **Tare**.
2. Press and hold **Mode** until [**Count**] (Count) is displayed. [**CLR.APW**] (Clear Average Piece Weight) will then display.
3. Press **No** to use the stored APW. Proceed to step 6.
4. Press **Yes** to establish an APW. The balance will then display the stored sample size, i.e. [**Put 10**]. Press **No** or **Back** to toggle the choices (5, 10, 20, 50 or 100).
5. Put the indicated number of pieces on the pan then press **Yes** to calculate the APW. The display shows the piece count. Note: Press **Function** to view the current APW.
6. Add additional pieces until the desired count is reached.
7. To clear the stored APW press and hold **Mode** until [**Count**] is displayed. Press **Yes** when [**CLR.APW**] is displayed.

3.3 Percent Mode

This mode measures the weight of a sample as a percentage of a reference weight.

1. Place an empty container on the pan and press **Tare**.
2. Press and hold **Mode** until [**PERcnt**] is displayed. [**CLR.rEF**] (clear reference) will then display.
3. Press **No** to use the stored reference weight and proceed to step 6.
4. Press **Yes** to establish a new reference. Balance will now display [**Put.rEF**].
5. Add the desired reference material to the container. Press **Yes** to store the reference weight. The display shows 100%.
Note: Press **Function** to view the current reference weight.
6. Replace the reference material with the sample material. The display shows the percentage of the sample compared to reference weight.
7. To clear the stored reference press and hold **Mode** until [**PERcnt**] is displayed. Press **Yes** when [**CLR.rEF**] is displayed.

3.4 Display Hold Mode

This mode holds the highest stable weight value for easy reference.

1. Press and hold **Mode** until [**Hold**] is displayed.
2. Place samples to be weighed on the pan. When the balance detects the highest stable weight the "Hold Indicator" will blink and the displayed weight will not change.
3. Press **Function** to release the held weight value.

3.5 Accumulation Mode

This mode allows the user to store the total of a series of weight measurements. With an Interface Option the component weights and the total weight can be transmitted.

1. Press and hold **Mode** until [**ACCUM**] (Accumulate) is displayed. [**Clr.Acc**] (clear accumulate) will then display.
2. Press **Yes** to clear the stored value or **No** to continue adding to the stored total.
3. If required, place an empty container on the pan and press **Tare**.
4. Add first item, its weight is displayed. Press **Function** to store the weight, the "Accum" indicator will flash and the display will show the total weight.
5. Remove the first item and add the next item. The balance will display its weight. Press **Function** to store its weight. The "Accum" indicator will flash and the new total weight will be displayed.
6. Repeat step 5 for all of the items to be added. Note: While the display indicates zero, press **Function** to view the current total number of samples and the total weight.
7. To clear the stored total press and hold **Mode** until [**ACCUM**] is displayed. Press **Yes** when [**Clr.Acc**] is displayed.

3.6 Checkweigh Mode

This mode sets low and high weight limits for portion control processes.

1. Press and hold **Mode** until [**CHECK**] (Check) is displayed. [**Clr.ref**] (clear references) will then display.
2. Press **No** to use the stored reference weight limits and proceed to step 5.
Note: Press **Function** to view the low and high reference weight limits.
3. Press **Yes** to establish new reference values. The balance will then display [**SEt. Lo**]. Press **Yes** to view the "Low" limit value. Press **Yes** to accept or **No** to edit the "Low" limit value. The stored value then displays with the first digit highlighted [**000.000** kg]. Repeatedly press **No** until the desired number appears. Press **Yes** to accept and highlight the next digit. Repeat until all the digits are correct. Press **Yes** to accept the "low" limit value, [**SEt. H.**] will be displayed.
4. Repeat the same procedure to accept or edit the "high" value.
5. Place sample material on the Pan. The "Accept" indicator will now show that the sample weight is within the acceptable range.
6. To clear the stored reference values press and hold **Mode** until [**CHECK**] is displayed. Press **Yes** when [**Clr.ref**] is displayed.

4. SETTINGS

The User Menu allows the customizing of balance settings.

Note: Additional Sub-Menus may be available if Interface Options are installed. See Interface User Manual for the additional setting information.

4.1 Menu Navigation

User Menu:

Sub-Menus:	<i>.C.a.l.</i>	<i>.S.e.t.u.p.</i>	<i>.M.o.d.e.</i>	<i>.U.n.i.t.</i>	<i>.E.n.d.</i>
Menu Items:	Span Lin	A-off Disply Bright IR.LEFT IR.RGHT End	Count Percnt Hold Accum Check End	ct, g, kg, grn, lb, oz, lb:oz, ozt, N, dwt, thk, tsg, ttw, tola, tical End	

Press and hold Menu until [MENU] (Menu) is displayed. When released the first sub-menu [.C.A.L.] (Cal) will be shown.

Press **Yes** to enter the displayed sub-menu or press **No** to advance to the next.

Selecting a sub-menu will display the first menu item. Press **Yes** to view the menu item setting or press **No** to move to the next menu item. When viewing the setting, press **Yes** to accept the setting, or press **No** to change the setting. When [End] is displayed, press **Yes** to return to the sub-menu selections or **No** to return to the first item in the current menu.

4.2 Cal Sub-Menu

- Span [SPAN] (yes, no) - Initiates a span calibration procedure (zero and span). A span calibration is important when initially setting up the balance.
- Lin [Lin] (yes, no) - Initiates a linearity calibration procedure (zero, mid-point and span).

4.3 Setup Sub-Menu

The backlit LCD and (red) LED displays will have different menu items or settings based on the functionality.

- Auto Off [A-OFF] (on, off) - When Auto Off is set to "on" the balance will turn off automatically after 5 minutes of inactivity. Auto off is used to save battery power.
- Display [d.SPLY] (on, auto, dim (LED), off (LCD)) - This setting controls the LCD backlight or the LED digits; constant on, automatic turn off after 5 seconds of balance inactivity, dimming of the LED after 60 seconds of balance inactivity or LCD backlight always off.
- Bright [br.ght] (hi, mid, low) - This setting controls the brightness of the LED display. LCD models will not see this menu item.
- IR Sensor Left [ir.LEFT] / Right [ir.Rght] (Off, Tare, Function, Print, Zero, Display) - These settings determine the role of the IR Sensors. "Zero", "Print", "Function" or "Tare" allows the IR sensor to act the same as the related button. "Display" activates the display if Display-Auto is set. "O"
- ff" disables the sensor.

4.4 Mode Menu

This sub-menu activates modes so they will be available for use with the Mode button. Weigh mode is always active.

- Parts Count [**COUNT**] (on, off) - Set on for the mode to be active.
- Percent [**PERCENT**] (on, off) - Set on for the mode to be active.
- Hold [**HOLD**] (on, off) - Set on for the mode to be active.
- Accumulate [**ACCUM**] (on, off) - Set on for the mode to be active.
- Check Weigh [**CHECK**] (on, off) - Set on for the mode to be active.

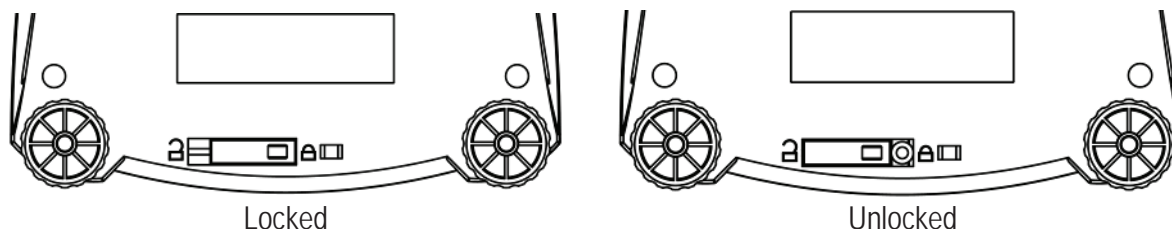
4.5 Units Menu

This sub-menu activates units so they will be accessible with the **Units** button. The units in the menu must be turned “on” to be active. The ounce (oz) and pound:ounce (lb:oz) units include the option of decimal [**DEC**] or fractional [**FRA**] readouts. Due to different agency requirements the grain unit has two icon display options, gr or grn.

Note: Available units [and modes](#) vary by model and local regulations.

4.6 Sealing access to balance settings

The Menu Lock switch limits changes to the Cal, Setup, Mode and Unit menus. The switch in type approved models may set some balance settings as required by the approval agency. The switch may be secured using paper seals, wire seals or plastic ties.



5. MAINTENANCE

5.1 Troubleshooting

The following table lists common problems and possible causes and remedies.

If the problem persists, contact OHAUS or your authorized dealer.

Symptom	Possible Cause	Remedy
Cannot turn on	No power to balance	Verify connections and voltage
Poor accuracy	Improper calibration Unstable environment	Perform calibration Move balance to suitable location
Cannot calibrate	Unstable environment Incorrect calibration weight	Move the balance to suitable location Use correct calibration weight
Cannot access mode	Mode not enabled	Enter menu and enable mode
Cannot access unit	Unit not enabled	Enter menu and enable unit
Lo REF	Reference weight is too low	Increase reference weight.
REF Err	Parts counting- sample weight <1d.	Shows error - exits mode or goes to [CLR.APU].
Err 3.0 CAL	Incorrect calibration weight	See section 2.5 for correct weights
Err 4.4 FULL	RS232 buffer is full	Set Handshake on, see Interface User Manual.

Err 8.1 LoAd	Power on zero range exceeded	Clear pan, check Shipping Lock setting
Err 8.2 LoAd	Power on zero under range	Install pan, check Shipping Lock setting
Err 8.3 LoAd	Overload (>cap+9e)	Load exceeds balance maximum capacity
Err 8.4 LoAd	Under load	Reading below min. range - Re-install pan.
Err 8.6 999999	Displayed value >999999	Result exceeds display capability.
Err 9 dAtA	Internal data error.	Contact an authorized service agent
Err 13 ErEr	Fail to write EEPROM.	Contact an authorized service agent
Err 53 CSuEr	Invalid checksum data	Contact an authorized service agent

5.2 Service Information

If the troubleshooting section does not resolve or describe your problem, contact your authorized OHAUS service agent. For service assistance or technical support in the United States call toll-free 1-800-526-0659 between 8:00 AM and 5:00 PM EST. An OHAUS product service specialist will be available to provide assistance. Outside the USA, please visit our web site, www.ohaus.com to locate the OHAUS office nearest you.

5.3 Accessories

Rechargeable Battery Kit	83032106 (NVL, NVT)		
RS232 Interface Kit	83032107 (NV, NVL, NVT)		
USB Interface Kit	83032108 (NV, NVL, NVT)		
Ethernet Interface Kit	83032109 (NV, NVL, NVT)		
In-Use Cover Kit	83032223 (NV)	83032222 (NVL)	83032221 (NVT)
Carrying Case Kit	83032226 (NV)	83032225 (NVL)	83032224 (NVT)
Printers and Cables	Contact OHAUS		

6. TECHNICAL DATA

The technical data is valid under the following ambient conditions:

Ambient temperature: 10°C to 40°C, Approved models (M) 0°C to 40°C

Relative humidity: 20% to 85% relative humidity, non-condensing

Height above sea level: Up to 4000 m

Operability: assured at ambient temperatures between 0°C and 40°C

Power: AC Adapter – 12VDC 420mA output, 4 batteries or rechargeable battery

Protection: dust and water

Pollution degree: 2

Installation category: Class III

EMC: See Declaration of Conformity

6.1 Specifications

Typical specifications:

Stabilization Time	≤1 seconds
Tare range	To capacity by subtraction
Application Modes ¹	weigh, percent, parts count, check weigh, accumulate, hold
Weighing Units	Non-Approved: ct, g, kg, grn, lb, oz, lb:oz, ozt, N, dwt, tael (3), tola, tical M models: g, kg, ct N models: g, kg, ct, lb, oz, ozt, dwt, grn
AC Power	AC Adapter (supplied)- 12 VDC or 12VAC, 420 mA
Battery Power	NV: 4 AA (LR6) batteries (not supplied) NVL, NVT: 4 C (LR14) batteries (not supplied) or rechargeable battery option
Calibration	Digital with external weight
LCD Display	6-digit 7-segment LCD with white LED backlight
LED Display	6-digit 7-segment LED
Display Size	20 mm / 0.78" digits
Keypad	4-button overlay plus two programmable IR sensors
Ingress Protection	IP43 (NVT and NVL models)
Pan Size (W x D)	NV: 190 mm x 138 mm NV212: Ø120mm NVL: 194 mm x 203 mm NVT: 230 mm x 174 mm
Net Weight ²	NV: 0.9 kg / 2.2 lb NVL: 1.5 kg / 3.3 lb NVT: 1.5 kg / 3.3 lb
Shipping Weight ²	NV: 1.4 kg / 3.1 lb NVL: 2.3 kg / 5.1 lb NVT: 2.3 kg / 5.1 lb

Note 1: Some application modes are restricted in Approved models.

Note 2: /1 and /3 models add 0.5kg / 1lb

Non-Approved Models:

Model ^{1,2}	Capacity	Readability (d)	Repeatability	Linearity	Span Cal. Wt.	Lin. Cal. Wts.
NV212	210g	0.01g	1d	±2d	200g	100g, 200g
NV211*	210g	0.1g	1d	±2d	200g	100g, 200g
NV511	510g	0.1g	1d	±2d	300g	300g, 500g
NV1101	1100g	0.1g	1d	±2d	500g	500g, 1000g
NV2101	2100g	0.1g	1d	±2d	1kg	1kg, 2kg
NV4101	4100g	0.2g	1d	±2d	2kg	2kg, 4kg
NV5101	5100g	0.5g	1d	±2d	3kg	3kg, 5kg
NV4000*	4000g	1g	1d	±2d	2kg	2kg, 4kg
NVL511	510g	0.1g	1d	±2d	300g	300g, 500g
NVL1101	1100g	0.1g	1d	±2d	500g	500g, 1000g
NVL2101	2100g	0.1g	1d	±2d	1kg	1kg, 2kg
NVL5101	5100g	0.5g	1d	±2d	3kg	3kg, 5kg
NVL10000	10000g	1g	1d	±2d	5kg	5kg, 10kg
NVL20000	20000g	1g	1d	±2d	10kg	10kg, 20kg
NVT1601	1600g	0.1g	1d	±2d	1kg	1kg, 1.5kg
NVT3201	3200g	0.2g	1d	±2d	2kg	2kg, 3kg
NVT6401	6400g	0.5g	1d	±2d	5kg	3kg, 6kg
NVT10001	10000g	0.5g	1d	±2d	5kg	5kg, 10kg
NVT16000	16000g	1g	1d	±2d	10kg	10kg, 15kg

Note 1: /1 = Factory installed rechargeable battery option
 /2 = LED display
 /3 = LED display with factory installed rechargeable battery option

Note 2: *: Only available in certain countries.

Approved Models:

Model ^{1,2}	Max=	e=	Approval Class	Span Cal. Wt.	Lin. Cal. Wts.
NV311	310g	0.1g	III	200g	200g, 300g
NV3100	3100g	1g	III	2kg	2kg, 3kg
NVT1601	1600g	0.5g	III	1kg	1kg, 1.5kg
NVT3200	3200g	1g	III	2kg	2kg, 3kg
NVT6400	6400g	2g	III	5kg	3kg, 6kg
NVT16000	16000g	5g	III	10kg	10kg, 15kg

Note 1: M = EC Type approved

N = NTEP and Measurement Canada approved

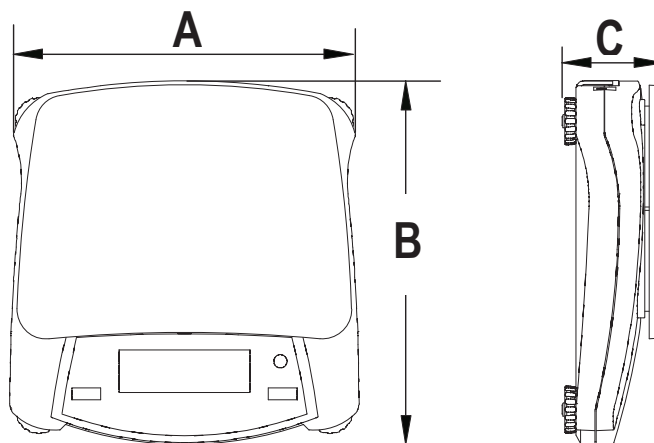
Note 2: /1 = Factory installed rechargeable battery option

/2 = LED display

/3 = LED display with factory installed rechargeable battery option

Example: NVT3200M/3



6.2 Drawings



	A	B	C
NV	204 mm / 8 in.	212 mm / 8.4 in.	58 mm / 2.3 in.
NVL	204 mm / 8 in.	282 mm / 11.1 in.	74 mm / 2.9 in.
NVT	240 mm / 9.5 in.	250 mm / 9.8 in.	74 mm / 2.9 in.

6.3 Compliance

Compliance to the following standards is indicated by the corresponding mark on the product.

Mark	Standard
	This product conforms to the EMC directive 2004/108/EC, the Low Voltage Directive 2006/95/EC and the Non-automatic Weighing Instrument Directive 2009/23/EC. The Declaration of Conformity is available online at www.OHAUS.com .
	AS/NZS4251.1 Emission; AS/NZS4252.1 Immunity

Important notice for verified weighing instruments



Weighing Instruments verified at the place of manufacture bear one of the preceding marks on the packing label and the green 'M' (metrology) sticker on the descriptive data plate. They may be put into service immediately.



Weighing Instruments to be verified in two stages have no green 'M' (metrology) on the descriptive data plate and bear one of the preceding identification marks on the packing label. The second stage of the initial verification must be carried out by an authorized and certified service organization established within the European Community or by the National Notified Body.

The first stage of the initial verification has been carried out at the manufacturers work. It comprises all tests according to the adopted European standard EN 45501:1992, paragraph 8.2.2. If national regulations limit the validity period of the verification, the user of the weighing instrument must strictly observe the re-verification period and inform the respective weights and measures authorities.

Disposal



In conformance with the European Directive 2002/96/EC on Waste Electrical and Electronic Equipment (WEEE) this device may not be disposed of in domestic waste. This also applies to countries outside the EU, per their specific requirements. The Batteries Directive 2006/66/EC introduces new requirements from September 2008 on removability of batteries from waste equipment in EU Member States. To comply with this Directive, this device has been designed for safe removal of the batteries at end-of-life by a waste treatment facility.

Please dispose of this product in accordance with local regulations at the collecting point specified for electrical and electronic equipment. If you have any questions, please contact the responsible authority or the distributor from which you purchased this device.

Should this device be passed on to other parties (for private or professional use), the content of this regulation must also be related.

Disposal instructions in Europe are available online at www.ohaus.com. Choose your country, then search for "WEEE."

Thank you for your contribution to environmental protection.

FCC Note

This equipment has been tested and found to comply with the limits for a Class B digital device, pursuant to Part 15 of the FCC Rules. These limits are designed to provide reasonable protection against harmful interference when the equipment is operated in a commercial environment. This equipment generates, uses, and can radiate radio frequency energy and, if not installed and used in accordance with the instruction manual, may cause harmful interference to radio communications. Operation of this equipment in a residential area is likely to cause harmful interference in which case the user will be required to correct the interference at his own expense.

Industry Canada Note

This Class B digital apparatus complies with Canadian ICES-003.

ISO 9001 Registration

In 1994, OHAUS Corporation, USA, was awarded a certificate of registration to ISO 9001 by Bureau Veritus Quality International (BVQI), confirming that the OHAUS quality management system is compliant with the ISO 9001 standard's requirements. On May 15, 2003, OHAUS Corporation, USA, was re-registered to the ISO 9001:2000 standard.

Limited Warranty

OHAUS products are warranted against defects in materials and workmanship from the date of delivery through the duration of the warranty period. During the warranty period OHAUS will repair, or, at its option, replace any component(s) that proves to be defective at no charge, provided that the product is returned, freight prepaid, to OHAUS. This warranty does not apply if the product has been damaged by accident or misuse, exposed to radioactive or corrosive materials, has foreign material penetrating to the inside of the product, or as a result of service or modification by other than OHAUS. In lieu of a properly returned warranty registration card, the warranty period shall begin on the date of shipment to the authorized dealer. No other express or implied warranty is given by OHAUS Corporation. OHAUS Corporation shall not be liable for any consequential damages.

As warranty legislation differs from state to state and country to country, please contact OHAUS or your local OHAUS dealer for further details.

Product Registration

Protect your investment. Register your product with your local OHAUS dealer. In the US and Canada register online at www.ohaus.com.

1. INTRODUCCIÓN

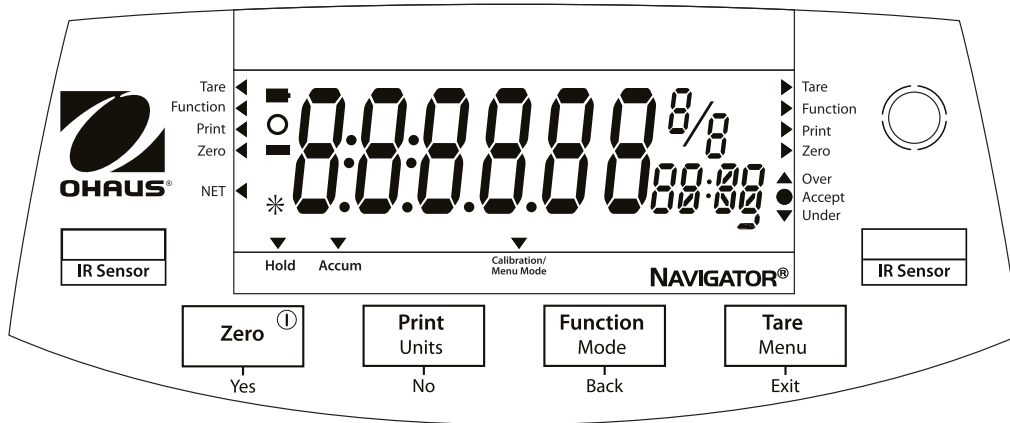
Este manual contiene instrucciones de instalación, operación y mantenimiento para las serie Navigator®. Lea el manual completamente antes de usar la balanza.

1.1 Precauciones de seguridad

Siga estas precauciones de seguridad:

- Verifique que el voltaje del adaptador de corriente alterna coincida con la alimentación eléctrica local.
- Use la balanza sólo en lugares secos.
- No opere la balanza en ambientes adversos.
- No deje caer cargas sobre la plataforma de pesaje.
- El servicio debe proporcionarse solamente por personal autorizado.

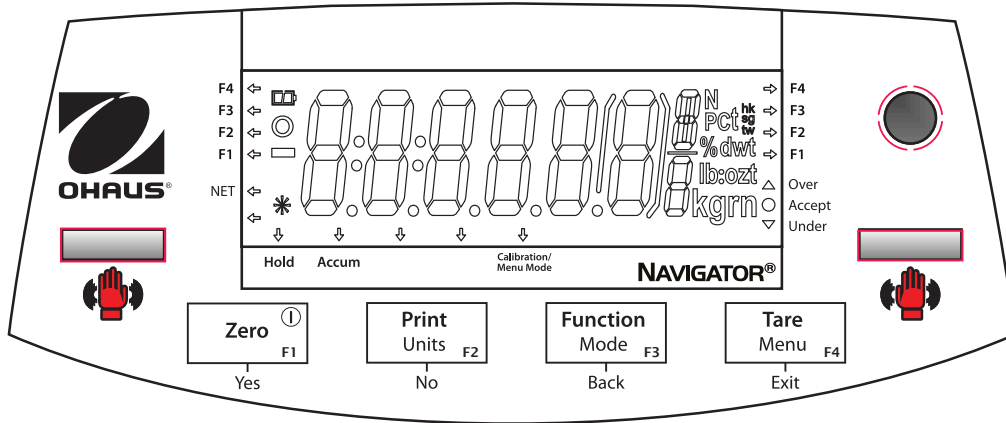
1.2. Controles



Modelos Estándares (no aprobados) – mostrado con pantalla LED.

Botón	Funciones
Zero ①	Presión corta (estando encendida): establece la pantalla en cero (estando apagada): enciende la balanza Presión larga (estando encendida): apaga la balanza
Yes	Presión corta (en Menú): selecciona o acepta la configuración mostrada
Print Units No	Presión corta: vea en el Manual de interfase la descripción de la operación. Presión larga: navega a través de las unidades activas Presión corta (en Menú): navega a través de las configuraciones disponibles
Function Mode Back	Presión corta: selecciona la configuración de la función Presión larga: selecciona el modo activo Presión corta (en Menú): regresa a la configuración anterior
Tare Menu Exit	Presión corta: introduce o borra un valor de tara Presión larga: ingresa al menú de usuario Presión corta (en Menú): sale rápido del menú de usuario
IR Sensor (Izquierdo) IR Sensor - Derecho	Los sensores pueden programarse para actuar como botones "sin tocarlos". Vea en menú del usuario la sección 4.3 de las configuraciones disponibles.

Los sensores de infrarrojos se pueden activar con una mano u otro objeto que se coloca alrededor de 12 mm por encima de la ubicación de los sensores. La distancia de activación del sensor puede variar en función de la naturaleza reflexiva del objeto. Si se producen activaciones no deseadas debido a situaciones excepcionales, los sensores se pueden desactivar.



Modelos aprobados – mostrado con pantalla LCD.

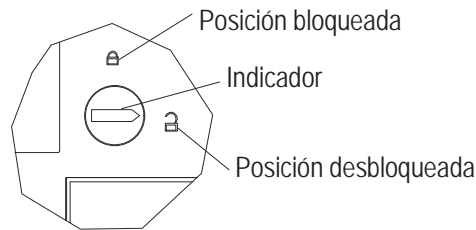
2. INSTALACIÓN

2.1 Contenido del paquete

- Balanza
- Adaptador de corriente
- Tarjeta de garantía
- Bandeja de pesaje
- Manual de instrucciones

2.2 Seguro para transporte

El seguro para transporte se encuentra en la parte inferior de la balanza. Gire el indicador hacia la posición desbloqueada.

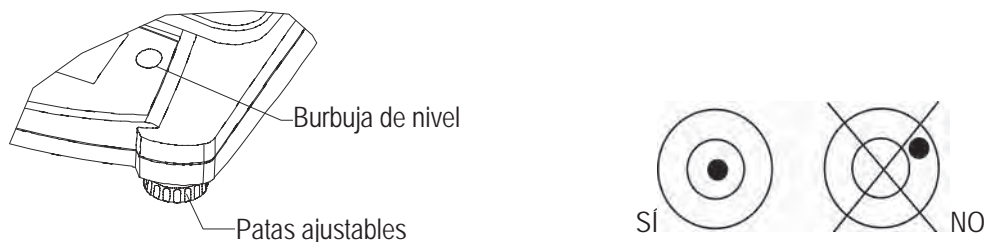


Nota: No hay bloqueo de transporte en los modelos aprobados.

2.3 Ubicación

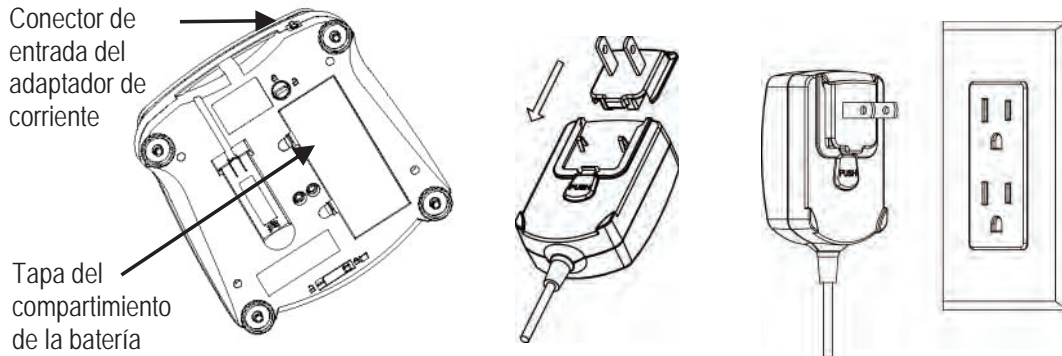
Coloque la balanza sobre una superficie firme y estable. Evite lugares con exceso de corrientes de aire, vibraciones, fuentes de calor y cambios rápidos de temperatura.

Ajuste las patas de nivelación de manera que la burbuja quede centrada en el círculo.



2.4 Energía

El adaptador de corriente alterna se usa para alimentar la balanza cuando no se necesitan baterías.



Conecte el adaptador de corriente alterna en el conector de entrada.

Conecte el adaptador de corriente alterna en una toma de corriente adecuada.

Instalación de la batería (sin batería interna opcional):

Retire la tapa de la batería e instale cuatro baterías siguiendo las indicaciones de polaridad que se muestran en el compartimiento.

Batería recargable opcional (sólo los modelos NVL y NVT):

Las balanzas con la opción de batería interna necesitarán cargarse durante 12 horas antes de operar la balanza con la energía de la batería por primera vez. La batería está protegida contra sobrecarga para que la balanza pueda permanecer conectada a la corriente alterna. Cuando la batería está totalmente cargada, el indicador de batería en la pantalla dejará de destellar.

Para quitar la opción de batería recargable e instalar baterías C., la referencia de la instrucción de recarga de la batería Opción manual de instrucciones paso a paso, así como instrucciones para su eliminación.



Precaución: Puede haber riesgo de explosión si la batería recargable se reemplaza por una de tipo erróneo o si no está correctamente conectada.

2.5 Calibración inicial

Cuando se instala la balanza por primera vez, debe calibrarse para asegurar resultados exactos.

Presione **Menu** hasta que aparezca [⌂] (Menú) en la pantalla. Cuando suelte el botón, la pantalla mostrará [.C.A.L.]. Presione **Yes** para aceptar, y se mostrará [SPAN]. Presione **Yes** nuevamente para iniciar la calibración de extensión (Span). [---] destella mientras se guarda la lectura de cero. Enseguida la pantalla muestra el valor del peso de calibración. Coloque sobre la bandeja de pesaje el masa de calibración especificado.

[---] destella mientras se guarda la lectura. La balanza regresa al modo de aplicación previo y está lista para usarse.

Masas de calibración requerido (se vende aparte)					
Capacidad	Masa	Capacidad	Masa	Capacidad	Masa
210g	200g	1600g - 2100g	1kg	6400g - 10kg	5kg
310g - 510g	300g	3100g - 4100g	2kg	16kg - 20kg	10kg
1100g	500g	5100g	3kg		

3. OPERACIÓN

Todos los modelos excepto para pesaje deben activarse en el Menú de usuario antes de que estén disponibles; vea la sección 4.

3.1 Modo de pesaje

1. Mantenga presionado **Mode** hasta que aparezca [**WEIGH**] (Pesaje).
2. Si se requiere, coloque un recipiente vacío sobre la bandeja de pesaje y presione **Tare**.
3. Agregue material al recipiente. La pantalla muestra el peso del material.

3.2 Modo de conteo de piezas

Este modo cuenta cantidades grandes de artículos con base en el peso de un conteo de referencia.

1. Coloque un recipiente vacío sobre la bandeja de pesaje y presione **Tare**.
2. Mantenga presionado **Mode** hasta que aparezca [**Count**] (Conteo). Entonces aparecerá [**CLR.APW**] (Borrar peso de pieza promedio o APW, por sus siglas en inglés).
3. Presione **No** para usar el peso de pieza promedio (APW) guardado. Continúe con el paso 6.
4. Presione **Yes** para establecer un nuevo APW. La balanza mostrará el tamaño de la muestra almacenada, por ejemplo, [**Part ID**]. Presione **No** o **Back** para alternar las opciones (5, 10, 20, 50 ó 100).
5. Coloque la cantidad de piezas indicadas sobre la bandeja y presione **Yes** para calcular el APW. La pantalla muestra el conteo de piezas. Nota: presione **Function** para ver el APW actual.
6. Agregue piezas hasta que llegue al conteo que desea.
7. Para borrar el APW guardado, mantenga presionado **Mode** hasta que aparezca [**Count**] (Conteo). Presione **Yes** cuando aparezca [**CLR.APW**].

3.3 Modo de porcentaje

Este método mide el peso de una muestra como porcentaje de un peso de referencia.

1. Coloque un recipiente vacío sobre la bandeja de pesaje y presione **Tare**.
2. Presione **Mode** hasta que aparezca [**PERcent**] (Porcentaje). Aparecerá [**CLR.rEF**] (Borrar referencia).
3. Presione **No** para usar el peso de referencia guardado y proceda con el paso 6.
4. Presione **Yes** para establecer una nueva referencia. La balanza mostrará ahora [**Part.rEF**].
5. Agregue el material de referencia que desee al recipiente. Presione **Yes** para ver el peso de referencia, y luego presione **Yes** otra vez para guardar el peso de referencia. La pantalla muestra 100%.
Nota: presione **Function** para ver el peso de referencia actual.
6. Reemplace el material de referencia con material de la muestra. La pantalla muestra el porcentaje de la muestra comparado con el peso de referencia.
7. Para borrar la referencia guardada, mantenga presionado **Mode** hasta que aparezca [**PERcent**] (Porcentaje). Presione **Yes** cuando aparezca [**CLR.rEF**].

3.4 Modo mantener pantalla

Este modo mantiene el valor del peso estable más alto para fácil referencia.

1. Mantenga presionado **Mode** hasta que aparezca [**Hold**] (Mantener).
2. Coloque muestras que va a pesar sobre la bandeja. Cuando la balanza detecte el peso estable más alto, destellará "Hold Indicator" (Mantener indicador) y el peso mostrado no cambiará.
3. Presione **Function** para liberar el valor del peso mantenido.

3.5 Modo acumular

Este modo permite al usuario almacenar el total de una serie de mediciones de peso. Con una opción de interfase se pueden transmitir los pesos de los componentes y el peso total.

1. Mantenga presionado **Mode** hasta que aparezca [**Accum**] (Acumular). Aparecerá [**Clr.Acc**] (Borrar acumular).
2. Presione **Yes** para borrar el valor guardado, o **No** para continuar sumando al total guardado.
3. Si se requiere, coloque un recipiente vacío sobre la bandeja de pesaje y presione **Tare**.
4. Agregue el primer artículo; se muestra su peso. Presione **Function** para guardar el peso; el indicador "Accum" destellará y la pantalla mostrará el peso total.
5. Retire el primer artículo y coloque el siguiente. La balanza mostrará su peso. Presione **Function** para guardar su peso. El indicador "Accum" destellará y se mostrará el nuevo peso total.
6. Repita el paso 5 para todos los artículos que va a agregar.
Nota: Mientras la balanza muestra cero, presione **Function** para ver la cantidad total actual de muestras y el peso total.
7. Para borrar el total guardado, mantenga presionado **Mode** hasta que aparezca [**Accum**] (Acumular). Presione **Yes** cuando aparezca [**Clr.Acc**].

3.6 Modo de peso de comprobación

Este modo establece límites bajos y altos para procesos de control de porciones.

1. Mantenga presionado **Mode** hasta que aparezca [**Check**] (Verificar). Aparecerá [**Clr.rEF**] (Borrar referencias).
2. Presione **No** para usar los límites de los pesos de referencia guardados y proceda con el paso 5. Presione **Function** para ver los límites de los pesos de referencia bajo y alto.
3. Presione **Yes** para establecer nuevos valores de referencia. La balanza mostrará [**SEt. Lo**] (Establecer bajo). Presione **Yes** para ver el valor del límite "Low" (Bajo). Presione **Yes** para aceptar, o **No** para modificar el valor del límite "Low". Aparece entonces el valor guardado con el primer dígito resaltado [**000.000** kg]. Presione **No** varias veces hasta que aparezca el número que desee. Presione **Yes** para aceptar y resaltar el siguiente dígito. Repita hasta que todos los dígitos sean correctos. Presione **Yes** para aceptar el valor del límite "Low"; entonces aparecerá [**SEt. Hi**] (Establecer alto).
4. Repita el mismo procedimiento para aceptar o modificar el valor "High".
5. Coloque material de muestra sobre la bandeja. El indicador "Accept" (Aceptable) mostrará ahora que el peso de la muestra está dentro del rango aceptable.
6. Para borrar los valores de referencia guardados, mantenga presionado **Mode** hasta que aparezca [**Check**] (Verificar). Presione **Yes** cuando aparezca [**Clr.rEF**].

4. CONFIGURACIONES

El Menú de usuario permite personalizar las configuraciones de la balanza.

Nota: puede haber submenús adicionales si se instalan opciones de interfase. Vea el Manual de usuario de interfase para más información de configuración.

4.1 Menú de navegación

Menú de usuario:

Submenús:	.C.a.l.	.S.e.t.u.p.	.M.o.d.e.	.U.n.i.t.	.E.n.d.
Elementos del menú:	Span Lin	A-off Disply Bright IR.LEFT IR.RGHT	Count Percnt Hold Accum Check End	ct, g, kg, grn, lb, oz, lb:oz, ozt, N, dwt, thk, tsg, ttw, tola, tical End	
	End	End	End	End	

Mantenga presionado Menu hasta que aparezca [MENU] (Menú) en la pantalla. Al soltarlo, aparecerá el primer submenú [.C.A.L.] (Calibración).

Presione **Yes** para ingresar al submenú mostrado, o presione **No** para avanzar al siguiente.

Al seleccionar un submenú se muestra el primer elemento del menú. Presione **Yes** para ver la configuración del elemento del menú, o presione **No** para avanzar al siguiente elemento del menú.

Cuando vea la configuración, presione **Yes** para aceptarla, o presione **No** para cambiar dicha configuración. Cuando aparezca [End] (Finalizar), presione **Yes** para regresar a las opciones del submenú, o **No** para regresar al primer elemento del menú actual.

4.2 Submenú Cal (Calibración)

- Extensión [SPAN] (yes, no): inicia un procedimiento de calibración de extensión (cero y extensión). La calibración de extensión es importante cuando se configura inicialmente la balanza.
- Linealidad [L IN] (yes, no): inicia un procedimiento de calibración de linealidad (cero, punto medio y extensión).

4.3 Submenú Setup (Configuración)

Las pantallas LCD de luz de fondo y LED (rojo) tendrán diferentes elementos de menú o configuraciones con base en su funcionalidad.

- Apagado automático [A-OFF] (on, off): cuando Auto Off se configura en "on" (encendido), la balanza se apaga automáticamente después de cinco minutos de inactividad. Auto off se usa para ahorrar energía de la batería.
- Pantalla [d ,SPLY] (on, auto, dim (LED), off (LCD)): esta configuración controla la luz de fondo LCD o los dígitos LED; constantemente encendida, apagado automático después de cinco segundos de inactividad de la balanza, atenuación de la luz LED después de 60 segundos de inactividad de la balanza, o luz de fondo LCD siempre apagada.
- Brillo [br ,ght] (hi, mid, low): esta configuración controla el brillo de la pantalla LED. Los modelos con LCD no verán este elemento de menú.
- Sensor infrarrojo izquierdo [ir.LEFT] o derecho [ir.rght] (Off, Tare, Function, Print, Zero, Display): estas configuraciones determinan el papel de los sensores infrarrojos. "Zero" (Cero), "Print" (Imprimir), "Function" (Función) o "Tare" (Tara) permiten que el sensor infrarrojo actúe igual que el botón relacionado. "Display" (Pantalla) activa la pantalla si está configurada como Display-Auto (Pantalla-automática). "Off" (Apagado) inhabilita al sensor.

4.4 Menú modo

Este submenú activa modos para que estén disponibles para usarse con el botón **Mode**. El modo de pesaje siempre está activo.

- Conteo de piezas [**COUNT**] (on, off); configure como "on" (encendido) para que el modo esté activo.
- Porcentaje [**PERCENT**] (on, off): configure como "on" (encendido) para que el modo esté activo.
- Mantener [**HOLD**] (on, off): configure como "on" (encendido) para que el modo esté activo.
- Acumular [**ACCUM**] (on, off): configure como "on" (encendido) para que el modo esté activo.
- Comprobar peso [**CHECK**] (on, off): configure como "on" (encendido) para que el modo esté activo.

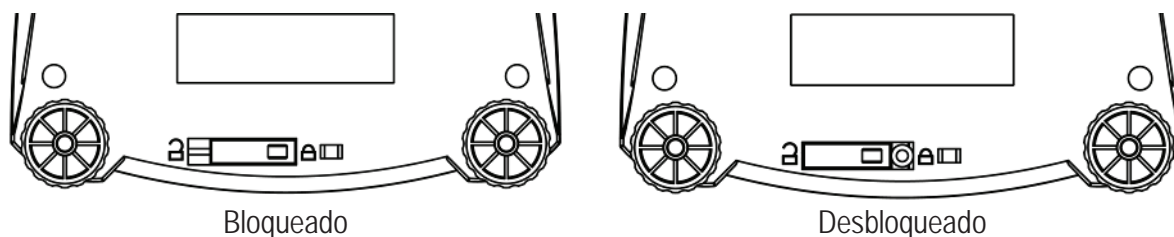
4.5 Menú unidades

Este submenú activa unidades para que sean accesibles con el botón **Units**. Las unidades en el menú deben encenderse (on) para que estén activas. Las unidades onza (oz) y libra:onza (lb:oz) incluyen la opción de lectura decimal [**DEC**] o fraccional [**FRAc**]. Debido a los diferentes requerimientos de las agencias, la unidad de grano tiene dos opciones de presentación de íconos: gr o grn.

Nota: Las unidades y modalidades disponibles pueden variar en función de los modelos y la legislación de cada país o región.

4.6 Sellado del acceso a las configuraciones de la balanza

El interruptor de bloqueo del menú limita los cambios en los menús CAL, SETUP, MODE y UNIT. En el de los modelos aprobados tipo CE, el interruptor puede establecer algunos ajustes de la balanza específicamente requerido por el organismo de aprobación. El interruptor puede sellarse con sellos de papel/etiqueta, sellos de plomo o cintas de plástico.



5. MANTENIMIENTO

5.1 Identificación y solución de problemas

La siguiente tabla describe los problemas comunes y las posibles causas y soluciones. Si persiste algún problema, comuníquese con OHAUS o con su distribuidor autorizado.

Síntoma	Causa posible	Solución
No enciende	No hay energía hacia la balanza	Verifique las conexiones y el voltaje
Falta de precisión	Calibración incorrecta Ambiente inestable	Calibre Cambie la balanza a un lugar apropiado
No puede calibrarse	Ambiente inestable Peso de calibración incorrecto	Cambie la balanza a un lugar adecuado Use pesos de calibración correctos
No puede ingresar al modo	Modo no habilitado	Ingrese al menú y habilite el modo
No puede ingresar en la unidad de medida	Unidad no habilitada	Ingrese al menú y habilite la unidad

Lo rEF	El peso de referencia es demasiado bajo	Aumente el peso de referencia
rEF Err	Conteo de piezas– peso de muestra <1d.	Muestra error –sale del modo o va a [CLR.APU].
Err 3.0 CAL	Peso de calibración incorrecto	Vea la sección 2.5 para los pesos correctos
Err 4.4 Full	Memoria intermedia RS232 llena	Establezca comunicación amiga encendida; vea el Manual de usuario
Err 8.1 ~LoAd	Rango de cero en encendido excedido	Retire la bandeja; revise la posición del seguro de transporte
Err 8.2 ~LoAd	Cero en encendido debajo del rango	Instale la bandeja; revise la posición del seguro de transporte
Err 8.3 ~LoAd	Sobrecarga (>cap+9e)	La carga excede la capacidad máxima de la balanza
Err 8.4 ~LoAd	Carga deficiente	Lectura por debajo del rango mínimo – Reinstale la bandeja.
Err 8.6 999999	Valor mostrado >999999	El resultado excede la capacidad de la pantalla.
Err 9 dAtA	Error de datos internos	Comuníquese con OHAUS o con un agente de servicio autorizado
Err 13 000000	Error al escribir EEPROM.	Comuníquese con OHAUS o con un agente de servicio autorizado
Err 53 CSu00	Datos de suma de comprobación no válidos	Comuníquese con OHAUS o con un agente de servicio autorizado

5.2 Información de servicio

Si la sección de identificación y solución de problemas no resuelve o describe su problema, comuníquese con su agente autorizado de servicio de OHAUS. Para asistencia de servicio o ayuda técnica en Estados Unidos, llame gratis al 1-800-526-0659 entre las 8:00 a.m. y las 5:00 p.m. hora del este. Un especialista de servicio para productos OHAUS estará disponible para brindarle asistencia. Fuera de los Estados Unidos, visite nuestra página web, www.OHAUS.com, para encontrar la oficina de OHAUS más cercana a usted.

5.3 Accesorios

Kit de recargable batería	83032106 (NVL, NVT)		
Kit de interfase RS232	83032107 (NV, NVL, NVT)		
Kit de interfase USB	83032108 (NV, NVL, NVT)		
Kit de interfase Ethernet	83032109 (NV, NVL, NVT)		
Kit de protección y cubrimiento	83032223 (NV)	83032222 (NVL)	83032221 (NVT)
Maletín de transporte	83032226 (NV)	83032225 (NVL)	83032224 (NVT)
Impresoras y cables	Póngase en contacto con OHAUS		

6. DATOS TÉCNICOS

Los datos técnicos son válidos en las siguientes condiciones ambientales:

Temperatura ambiente: 10 a 40 °C, modelos aprobados (M) 0 a 40 °C

Humedad relativa: humedad relativa de 20% a 85%, no condensante

Altura sobre el nivel del mar: hasta 4000 m

Viabilidad de operación: se garantiza a temperaturas ambiente entre 0 y 40 °C

Energía: adaptador de corriente alterna; salida de 12 VCD, 420 mA, 4 baterías o batería recargable

Protección: contra polvo y agua

Grado de contaminación: 2

Categoría de instalación: Clase III

EMC: vea la Declaración de Conformidad

6.1 Especificaciones

Especificaciones típicas:

Tiempo de estabilización	≤1 segundo
Rango de tara	A la capacidad mediante sustracción
Modos de aplicación	peso, porcentaje, conteo de piezas, comprobación de peso, acumular, mantener
Unidades de pesaje	no aprobados: ct, g, kg, grn, lb, oz, lb:oz, ozt, N, dwt, tael (3), tola, tical M modelos: g, kg, ct N modelos: g, kg, ct, lb, oz, ozt, dwt, grn
Energía de CA	Adaptador (se incluye) - 12 VCD o 12 VCA, 420 mA
Energía de la batería	NV: 4 baterías AA (LR6) (no se incluyen), NVL, NVT: 4 baterías C (LR14) (no se incluyen) u opción de batería recargable
Calibración	Digital con peso externo
Pantalla LCD	LCD de 6 dígitos y 7 segmentos con luz de fondo blanca LED
Pantalla LED	LED de 6 dígitos y 7 segmentos
Tamaño de la pantalla	Dígitos de 20 mm
Teclado numérico	Membrana de 4 botones más dos sensores infrarrojos programables
Protección contra ingreso	IP43 (modelos NVL y NVT sólo)
Tamaño de la bandeja (A x P)	NV: 190 mm x 138 mm NV212: Ø120mm NVL: 194 mm x 203 mm NVT: 230 mm x 174 mm
Peso neto ¹	NV: 1,0 kg / 2,2 lb NVL: 1,5 kg / 3,3 lb NVT: 1,5 kg / 3,3 lb
Peso de transporte ¹	NV: 1,4 kg / 3,1 lb NVL: 2,3 kg / 5,1 lb NVT: 2,3 kg / 5,1 lb

Nota 1: /1 y /3 modelos añadir 0,5 kg

Modelos no aprobados:

Modelo ^{1,2}	Capacidad	Capacidad de lectura (d)	Repetibilidad	Linealidad	Masa de calibración de extensión	Masa de calibración de linealidad
NV212	210g	0,01g	1d	±2d	200g	100g, 200g
NV211*	210g	0,1g	1d	±2d	200g	100g, 200g
NV511	510g	0,1g	1d	±2d	300g	300g, 500g
NV1101	1100g	0,1g	1d	±2d	500g	500g, 1000g
NV2101	2100g	0,1g	1d	±2d	1kg	1kg, 2kg

NV4101	4100g	0,2g	1d	±2d	2kg	2kg, 4kg
MV5101	5100g	0,5g	1d	±2d	3kg	3kg, 5kg
NV4000*	4000g	1g	1d	±2d	2kg	2kg, 4kg
NVL511	510g	0,1g	1d	±2d	300g	300g, 500g
NVL1101	1100g	0,1g	1d	±2d	500g	500g, 1000g
NVL2101	2100g	0,1g	1d	±2d	1kg	1kg, 2kg
NVL5101	5100g	0,5g	1d	±2d	3kg	3kg, 5kg
NVL10000	10000g	1g	1d	±2d	5kg	5kg, 10kg
NVL20000	20000g	1g	1d	±2d	10kg	10kg, 20kg
NVT1601	1600g	0,1g	1d	±2d	1kg	1kg, 1,5kg
NVT3201	3200g	0,2g	1d	±2d	2kg	2kg, 3kg
NVT6401	6400g	0,5g	1d	±2d	5kg	3kg, 6kg
NVT10001	10000g	0,5g	1d	±2d	10kg	5kg, 10kg
NVT16000	16000g	1g	1d	±2d	10kg	10kg, 15kg

Nota 1: /1 = Opción de batería recargable instalada en fábrica

/2 = Pantalla LED

/3 = Pantalla LED con opción de batería recargable instalada en fábrica

Nota 2: *: sólo está disponible en algunos países.

Modelos aprobados:

Modelo ^{1,2}	Max=	e=	Clase aprobada	Masa de calibración de extensión	Masa de calibración de linealidad
NV311	310g	0,1g	III	200g	200g, 300g
NV3100	3100g	1g	III	2kg	2kg, 3kg
NVT1601	1600g	0,5g	III	1kg	1kg, 1,5g
NVT3200	3200g	1g	III	2kg	2kg, 3kg
NVT6400	6400g	2g	III	5kg	3kg, 6kg
NVT16000	16000g	5g	III	10kg	10kg, 15kg

Nota 1: M = Tipo aprobado por la EC

N = Certificación NTEP y aprobación de Measurement Canada

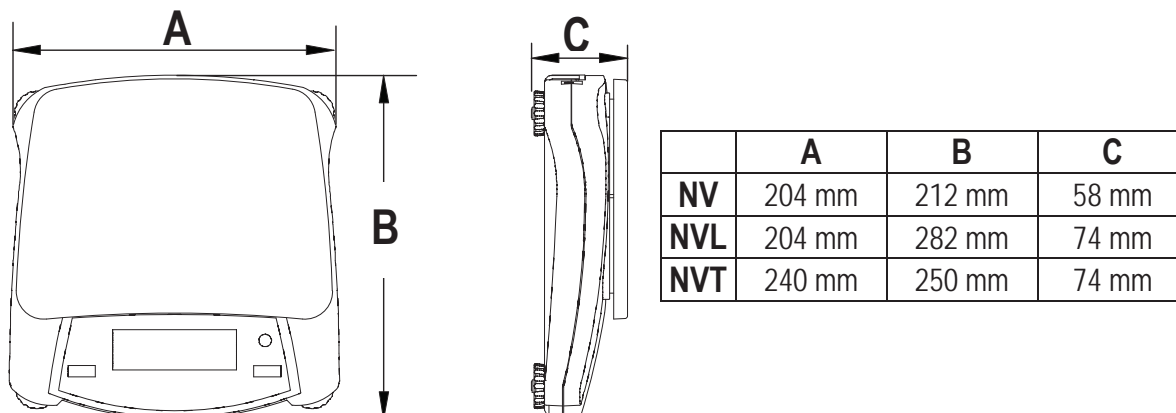
Nota 2: /1 = Opción de batería recargable instalada en fábrica

/2 = Pantalla LED

/3 = Pantalla LED con opción de batería recargable instalada en fábrica



Ejemplo: NVT3200M/3

6.2 Dibujos



6.3 Conformidad

La conformidad a los estándares siguientes es indicada por la marca correspondiente en el producto.

Marca	Estándar
	Este producto se conforma con la Directiva EMC 2004/108/EC. con la Directiva para Voltaje Bajo 2006/95/EC y con la Directiva para Instrumentos de Pesaje no Automáticos 2009/23/EC. La Declaración de Conformidad está disponible en internet a través de www.OHAUS.com .
	AS/NZS4251.1; AS/NZS4252.1

Notificación importante para instrumentos de pesaje verificados.



Los instrumentos de pesaje verificados en el sitio de fabricación llevan una de las marcas precedentes en el rótulo del empaque y la etiqueta de la 'M' verde (metrología) en la placa descriptiva. Estos instrumentos se pueden poner en funcionamiento inmediatamente.



Los instrumentos de pesaje a ser verificados en dos etapas no tienen ninguna 'M' verde (metrología) en la placa descriptiva, y presentan una de las marcas de identificación precedentes sobre el rótulo del empaque. La segunda etapa de la verificación inicial debe ser llevada a cabo por la organización de servicio aprobada del representante autorizado dentro de la CE o por las autoridades nacionales de pesos y medidas.

La primera etapa de la verificación inicial ha sido llevada a cabo en el sitio de fabricación. Ésta comprende todas las pruebas estipuladas por el estándar europeo adoptado: EN 45501:1992, párrafo 8.2.2.

Si las normas nacionales limitan el periodo de validez de la verificación, el usuario del instrumento de pesaje debe seguir estrictamente el periodo de re-verificación e informar a las correspondientes autoridades de pesos y medidas.

Eliminación de residuos



De conformidad con las exigencias de la directiva europea 2002/96/CE sobre residuos de aparatos eléctricos y electrónicos (RAEE), este equipo no puede eliminarse como basura doméstica. Esta prohibición es asimismo válida para los países que no pertenecen a la UE cuyas normativas nacionales en vigor así lo reflejan.

La Directiva para baterías 2006/66/EC introduce nuevos requisitos a partir de septiembre de 2008 acerca de la remoción de las baterías de equipos de desecho en los países miembros de la Unión Europea. Para cumplir con esta Directiva, este dispositivo ha sido designado para remoción segura de baterías al final de su vida útil a través de un centro de tratamiento de desechos.

Elimine este producto, según las disposiciones locales, mediante el sistema de recogida selectiva de aparatos eléctricos y electrónicos.

Si tiene alguna pregunta al respecto, diríjase a las autoridades responsables o al distribuidor que le proporcionó el equipo.

Si transfiere este equipo (por ejemplo, para la continuación de su uso con fines privados, comerciales o industriales), deberá transferir con él esta disposición.

Las instrucciones de eliminación para Europa están disponibles a través de Internet en www.ohaus.com. Elija su país, realice la búsqueda sobre residuos de aparatos eléctricos y electrónicos (WEEE).

Muchas gracias por su contribución a la conservación medioambiental.

Registro ISO 9001

En 1994, Bureau Veritus Quality International (BVQI) le otorgó a OHAUS Corporation, EE.UU., un certificado de registro ISO 9001 el cual confirma que el sistema administrativo de calidad de OHAUS cumple con los requerimientos del estándar ISO 9001. En mayo 15 del 2003, OHAUS Corporation, EE.UU., fue registrada nuevamente al estándar ISO 9001:2000.

GARANTÍA LIMITADA

Los productos de OHAUS están garantizados contra defectos en los materiales y la mano de obra desde la fecha de entrega hasta que se termine el periodo de garantía. Durante el periodo de garantía, OHAUS reemplazará o reparará, por cuenta propia, sin costo alguno, el o los componentes comprobados como defectuosos, siempre y cuando el producto sea enviado a OHAUS con los gastos de envío pagados por anticipado.

Esta garantía no se aplica si el producto ha sido dañado por accidente o mal uso, expuesto a materiales radioactivos o corrosivos, se ha penetrado con objetos extraños en su interior, o como resultado de haberle prestado servicio o haber realizado una modificación personas ajenas a OHAUS. Además del envío apropiado de la tarjeta de garantía, el periodo de garantía comienza en la fecha del envío al distribuidor autorizado. No existe ninguna otra garantía expresa o implícita ofrecida por OHAUS Corporation. OHAUS Corporation no puede ser demandada por daños consecuentes.

Ya que las legislaciones de garantías difieren de estado a estado y de país a país, por favor contacte a su representante de OHAUS para mayores detalles.

Registro de productos

Proteja su inversión. Registre su producto con su distribuidor local de OHAUS. En los EE.UU. y registro en línea de Canadá en www.ohaus.com.

1. INTRODUCTION

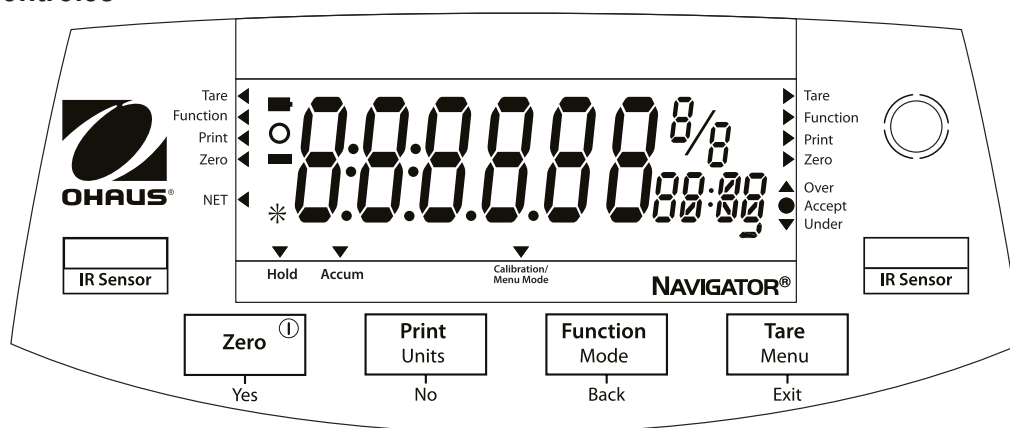
Ce manuel contient des instructions d'installation, de fonctionnement et d'entretien de la série Navigator®. Veuillez lire toutes ces instructions avant d'utiliser la balance.

1.1 Consignes de sécurité

Veuillez respecter ces consignes de sécurité.

- Assurez-vous que la tension d'entrée de l'adaptateur CA correspond à l'alimentation secteur locale.
- Utilisez seulement la balance dans des lieux secs.
- N'utilisez pas la balance dans des environnements difficiles.
- Ne laissez pas tomber les charges sur la plate-forme.
- L'entretien doit être exclusivement exécuté par un personnel agréé.

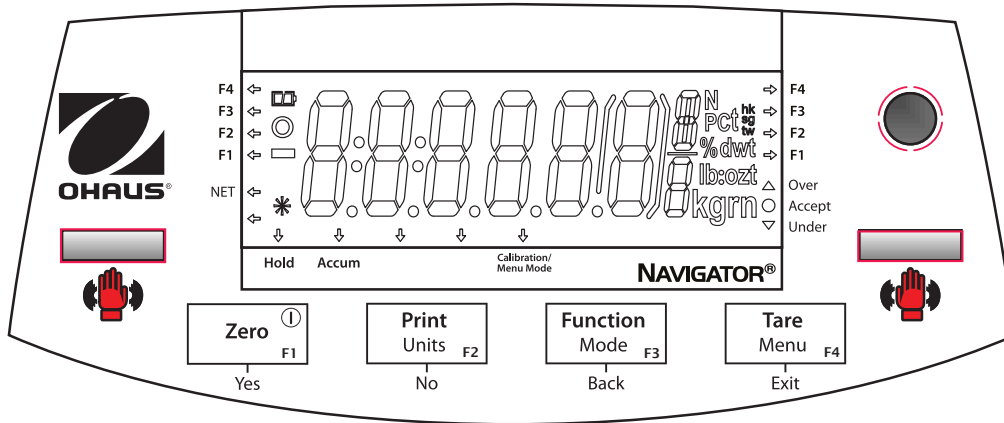
1.2. Contrôles



Modèles Standard (non approuvés) – montre avec affichage LED.

Bouton	Fonctions
Zero ①	Courte pression (si en marche) Définit l'affichage à zéro (si à l'arrêt) : Met la balance sous tension Longue pression (si en marche) Met la balance à l'arrêt
Yes	Courte pression (dans le menu) Sélectionne/accepte le réglage affiché
Print	Courte pression : Reportez-vous au Manuel de l'interface pour une description du fonctionnement.
Units No	Longue pression : Navigue parmi les unités actives Courte pression (dans le menu) Navigue parmi les réglages disponibles
Function Mode Back	Courte pression : Sélectionne le réglage de fonctionnement Longue pression : Sélectionne le mode actif Courte pression (dans le menu) : revient aux réglages précédents
Tare Menu Exit	Courte pression : Introduction/Effacement d'une valeur de tare Longue pression : Permet d'entrer dans le menu Utilisateur Courte pression (dans le menu) : Sortie rapide du menu Utilisateur
IR Sensor - gauche IR Sensor - droit	Les capteurs IR peuvent être programmés pour agir en tant que boutons « sans effleurement ». Reportez-vous à la section du menu Utilisateur pour les réglages disponibles.

Les capteurs IR peuvent être activés par une main ou un autre objet qui est placé environ 12 mm au-dessus de leur position. La distance d'activation du capteur varie en fonction de la nature réfléchissante de l'objet. Le capteur peut également être désactivé afin de prévenir un déclenchement involontaire.



Modèles approuvés – montre avec affichage LCD.

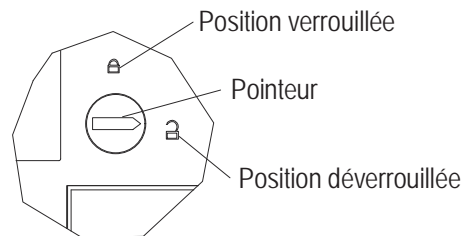
2. INSTALLATION

2.1 Contenu de l'emballage

- Balance
- Adaptateur d'alimentation
- Carte de garantie
- Plate-forme
- Manuel d'instructions

2.2 Verrouillage de transport

Le verrouillage de transport se trouve sous la balance. Faites tourner le pointeur vers la position déverrouillée.

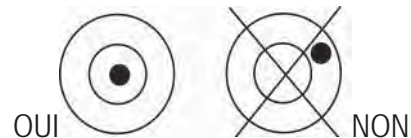
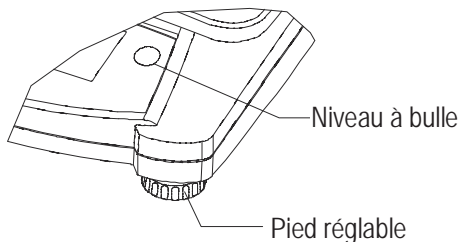


Note: Aucun dispositif de sécurité sur les modèles approuvés.

2.3 Emplacement

Utilisez la balance sur une surface solide et stable. Évitez les emplacements avec des courants d'air, des vibrations, des sources de chaleur excessive ou avec des changements brusques de température.

Régalez les pieds de mise à niveau pour que la bulle soit centrée dans le cercle.

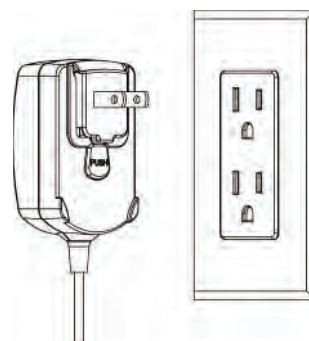
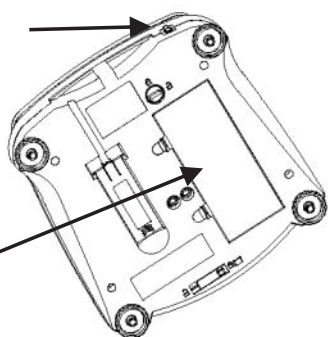


2.4 Alimentation

L'adaptateur CA est utilisé pour alimenter la balance lorsque l'alimentation par piles n'est pas nécessaire.

Prise d'entrée de l'adaptateur d'alimentation

Couvercle du compartiment des piles



Connectez la fiche de l'adaptateur d'alimentation CA sur la prise d'entrée.

Connectez l'adaptateur CA sur l'alimentation secteur adéquate.

Installation des piles (sans l'option de batterie interne):

Démontez le couvercle des piles et installez 4 piles en respectant les indications de polarité indiquées dans le compartiment.

Batteries rechargeables en option (modèles NVL et NVT seulement):

Les balances avec l'option de batterie interne devront être chargées pendant 12 heures avant de pouvoir les faire fonctionner sur batterie pour la première fois. La batterie est protégée contre les surcharges, elle peut donc rester connectée sur la prise secteur. Lorsque la batterie est complètement chargée, le témoin sur l'affichage s'arrêtera de clignoter.

Pour supprimer l'option batterie rechargeable et d'installer les piles C, référence de l'instruction Option Recharge Batterie manuel pour des instructions étape par étape, ainsi que les instructions d'élimination.



Attention: Un risque d'explosion peut se produire si la pile rechargeable est remplacée par un mauvais type ou si elle n'est pas correctement connectée.

2.5 Étalonnage initial

Lorsque la balance est installée pour la première fois, elle doit être étalonnée afin d'assurer des résultats précis.

Maintenez appuyé **Menu** jusqu'à ce que [MENU] (Menu) s'affiche. Lorsque le bouton est relâché, [C.A.L.] s'inscrit sur l'afficheur. Appuyez sur **Yes** pour accepter, [SPAN] s'affichera alors. Appuyez sur **Yes** à nouveau pour commencer l'étalonnage général.

[--C--] clignote pendant que la mesure du zéro est mémorisée. Ensuite, l'affichage présente la valeur de la pesée d'étalonnage. Placez la masse d'étalonnage spécifiée sur la plate-forme. [--C--] clignote pendant que la mesure est mémorisée. La balance revient au mode de l'application précédente et est prête à être utilisée.

Masses d'étalonnage nécessaires (vendus séparément)					
Capacité	Masse	Capacité	Masse	Capacité	Masse
210g	200g	1600g - 2100g	1kg	6400g - 10kg	5kg
310g - 510g	300g	3100g - 4100g	2kg	16kg - 20kg	10kg
1100g	500g	5100g	3kg		

3. FONCTIONNEMENT

Tous les modes, à l'exception de la pesée, doivent être activés dans le menu Utilisateur avant de pouvoir être disponibles, reportez-vous à la section 4.

3.1 Mode Pesée

1. Maintenez appuyé **Mode** jusqu'à ce que [**Wt**] (Poids) s'affiche.
2. Au besoin, placez un récipient vide sur la plate-forme et appuyez sur **Tare**.
3. Introduisez un objet à peser dans le récipient. L'affichage présentera le poids de l'objet.

3.2 Mode Comptage des pièces

Ce mode permet de compter un plus grand nombre d'éléments en se basant sur le poids d'un comptage de référence.

1. Au besoin, placez un récipient vide sur la plate-forme et appuyez sur **Tare**.
2. Maintenez appuyé **Mode** jusqu'à ce que [**Count**] (Comptage) s'affiche. [**CLR.APW**] (Effacement du poids moyen de la pièce) s'affichera alors.
3. Appuyez sur **No** pour utiliser APW en mémoire. Passez à l'étape 6.
4. Appuyez sur **Yes** pour établir APW. La balance affichera alors la taille enregistrée de l'échantillon, par exemple [**Wt 10**]. Appuyez sur **No** ou **Back** pour naviguer parmi les choix (5, 10, 20, 50 ou 100).
5. Introduisez le nombre indiqué de pièces sur la plate-forme et appuyez sur **Yes** pour calculer l'APW. L'affichage présente le nombre de pièces. Remarque: Appuyez sur **Function** pour visualiser l'APW en cours.
6. Ajoutez des pièces supplémentaires jusqu'à ce que le nombre désiré soit atteint.
7. Pour effacer APW en mémoire, maintenez appuyé **Mode** jusqu'à ce que [**Count**] (comptage) soit affiché. Appuyez sur **Yes** lorsque [**CLR.APW**] s'affiche.

3.3 Mode Pourcentage

Ce mode mesure le poids d'un échantillon en tant que pourcentage d'un poids de référence.

1. Placez un récipient vide sur la plate-forme et appuyez sur **Tare**.
2. Maintenez appuyé **Mode** jusqu'à ce que [**Percent**] s'affiche. [**CLR.rEF**] (effacer référence) s'affichera alors.
3. Appuyez sur **No** pour utiliser le poids de référence en mémoire et passez à l'étape 6.
4. Appuyez sur **Yes** pour établir une nouvelle référence. La balance affichera alors [**Wt.rEF**].
5. Ajoutez l'objet de référence retenu au récipient. Appuyez sur **Yes** à nouveau pour mettre en mémoire le poids de référence. L'écran affiche 100 %.
Remarque : Appuyez sur **Function** pour visualiser le poids de référence en cours.
6. L'affichage présente le pourcentage de l'échantillon comparé au poids de référence.
7. Pour effacer la référence en mémoire, maintenez appuyé **Mode** jusqu'à ce que [**Percent**] soit affiché. Appuyez sur **Yes** lorsque [**CLR.rEF**] s'affiche.

3.4 Mode Maintien de l'affichage

Ce mode maintient la valeur de la pesée stable la plus élevée à titre de référence facile

1. Maintenez appuyé **Mode** jusqu'à ce que [**HoLd**] s'affiche.
2. Placez les échantillons à peser sur la plate-forme. Lorsque la balance détecte le poids stable le plus élevé, le Témoin de maintien clignotera et le poids affiché ne changera pas.
3. Appuyez sur **Function** pour libérer la valeur maintenue du poids.

3.5 Mode Accumulation

Utilisez ce mode pour mémoriser le total d'une série de mesures de poids. Avec une option d'interface, le composant pèse et le total de la pesée peut être transmis.

1. Maintenez appuyé **Mode** jusqu'à ce que [**ACCUM**] (accumulation) s'affiche. [**CLr.Acc**] (effacer accumulation) s'affichera alors.
2. Appuyez sur **Yes** pour effacer la valeur mémorisée ou sur **No** pour continuer à ajouter au total en mémoire.
3. Au besoin, placez un récipient vide sur la plate-forme et appuyez sur **Tare**.
4. Ajoutez le premier élément, son poids s'affiche. Appuyez sur **Function** pour mémoriser le poids, le témoin « Accum » clignotera et l'affichage présentera le poids total.
5. Retirez le premier élément et ajoutez l'élément suivant. La balance affiche son poids. Appuyez sur **Function** pour mémoriser ce poids. Le témoin « Accum » clignotera et l'affichage présentera le nouveau poids total.
6. Répétez l'étape 5 pour tous les autres éléments à ajouter.
Remarque : Pendant que l'affichage indique zéro, appuyez sur **Function** pour visualiser le total actuel d'échantillons et le poids total.
7. Pour effacer le total en mémoire, maintenez appuyé **Mode** jusqu'à ce que [**ACCUM**] soit affiché. Appuyez sur **Yes** lorsque [**CLr.Acc**] s'affiche.

3.6 Mode Pesage de contrôle

Ce mode définit les limites de poids inférieures et supérieures pour les processus de contrôle des portions.

1. Maintenez appuyé **Mode** jusqu'à ce que [**CHECK**] (vérification) s'affiche. [**CLr.rEF**] (effacer références) s'affichera alors.
2. Appuyez sur **No** pour utiliser les limites de poids de référence en mémoire et passez à l'étape 5. Remarque : Appuyez sur **Function** pour visualiser les limites inférieures et supérieures des poids de référence.
3. Appuyez sur **yes** pour établir de nouvelles valeurs de référence. La balance affichera alors [**SEt. Lo**]. Appuyez sur **Yes** pour visualiser la valeur limite inférieure. Appuyez sur **Yes** pour accepter ou sur **No** pour modifier la valeur limite inférieure. La valeur mémorisée s'affiche alors avec le premier chiffre en surbrillance [**100.000 kg**]. Appuyez plusieurs fois sur **No** jusqu'à ce que le chiffre désiré apparaisse. Appuyez sur **Yes** pour accepter et mettre en surbrillance le chiffre suivant. Répétez jusqu'à ce que tous les chiffres soient corrects. Appuyez sur **Yes** pour accepter la valeur de limite inférieure, [**SEt. Hi**] s'affichera.
4. Répétez la même procédure pour accepter ou modifier la valeur supérieure.
5. Placez un échantillon sur la plate-forme. Le témoin Acceptation affichera maintenant que le poids de l'échantillon se trouve dans une plage acceptable.
6. Pour effacer les valeurs de référence en mémoire, maintenez appuyé **Mode** jusqu'à ce que [**CHECK**] soit affiché. Appuyez sur **Yes** lorsque [**CLr.rEF**] s'affiche.

4. RÉGLAGES

Le menu Utilisateur permet de personnaliser les réglages de la balance.

Remarque: Des sous-menus supplémentaires peuvent être disponibles si les options d'interface sont installées. Reportez-vous au Manuel de l'utilisateur de l'interface pour des informations complémentaires de réglage.

4.1 Menu Navigation

Menu Utilisateur:

Sous-menus :	.C.a.l.	.S.e.t.u.p.	.M.o.d.e.	.U.n.i.t.	.E.n.d.
Éléments de menus :	Span Lin	A-off Disply Bright IR.LEFT IR.RGHT	Count Percnt Hold Accum Check End	ct, g, kg, grn, lb, oz, lb:oz, ozt, N, dwt, thk, tsg, ttw, tola, tical End	

Maintenez appuyé **Menu** jusqu'à ce que [MENU] (Menu) s'affiche. Une fois libéré, le premier sous-menu [.C.A.L.] (étalonnage) s'affichera

Appuyez sur **Yes** pour entrer dans le sous-menu affiché ou appuyez sur **No** pour avancer jusqu'au suivant.

La sélection d'un sous-menu affichera le premier élément du menu. Appuyez sur **Yes** pour visualiser le réglage de l'élément du menu ou sur **No** pour passer à l'élément de menu suivant. Lorsque vous visualisez le réglage, appuyez sur **Yes** pour l'accepter ou sur **No** pour le modifier. Lorsque [End] s'affiche, appuyez sur **Yes** pour revenir aux sélections du sous-menu ou sur **No** pour revenir au premier élément du menu en cours.

4.2 Sous-Menu Cal (étalonnage)

- [SPAN] général (Yes, No) - Initialise une procédure d'étalonnage général (zéro et générale). Un étalonnage général est important lors du premier réglage de la balance.
- Linéaire [L IN] (Yes, No) - Initialise une procédure d'étalonnage linéaire (zéro, point milieu et générale).

4.3 Sous-Menu Configuration

Les affichages à rétroéclairage ACL et à DEL (rouges) présenteront des éléments de menus ou des réglages différents basés sur la fonctionnalité.

- Arrêt automatique [A-OFF] (on, off) - Lorsque Arrêt automatique est réglé sur « on », la balance s'éteindra automatiquement après 5 minutes d'inactivité. L'arrêt automatique est utilisé pour économiser la batterie.
- Affichage [d.SPLY] (on, auto, dim (LED), off (LCD)) - Ce réglage contrôle le rétroéclairage ACL ou les chiffres DEL ; constamment sur marche, arrêt automatique se produisant après 5 secondes d'inactivité de la balance, assombrissant la DEL après 60 secondes d'inactivité de la balance ou rétroéclairage DEL toujours à l'arrêt.
- Luminosité [br.9ht] (hi, mid, low) - Ce réglage contrôle la luminosité de l'affichage à DEL. Les modèles ACL ne présenteront pas cet élément de menu.
- Capteur IR gauche [I.R.LEFT] / droit [I.R.9ht] (Off, Tare, Function, Print, Zero, Display) - Ces réglages déterminent le rôle des capteurs IR. Zéro, Impression, Fonction ou Tare permettent au capteur IR d'agir de la même manière que le bouton correspondant. Affichage active l'écran si Auto-affichage est défini. Arrêt désactive le capteur.

4.4 Menu Mode

Ce sous-menu active des modes pour qu'ils soient disponibles avec le bouton Mode. Le mode Pesée est toujours actif.

- Comptage des pièces [**COUNT**] (on, off) - Sur marche (on) pour que le mode soit actif.
- Pourcentage [**PERCENT**] (on, off) - Sur marche (on) pour que le mode soit actif.
- Maintien [**HOLD**] (on, off) - Sur marche (on) pour que le mode soit actif.
- Accumulation [**ACCUM**] (on, off) - Sur marche (on) pour que le mode soit actif.
- Vérification du poids [**CHECK**] (on, off) - Sur marche (on) pour que le mode soit actif.

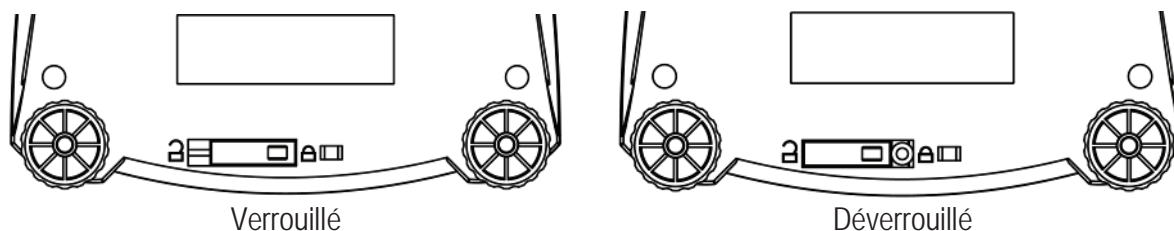
4.5 Menu Unités

Ce sous-menu active les unités pour qu'elles soient accessibles avec le bouton **Units**. Les unités dans ce menu doivent être sur marche (on) pour être actives. Les onces (oz) et les livres:once (lb:oz) comprennent l'option de lecture décimale [**DEC**] ou fractionnelle [**FRACTION**]. En raison des impératifs des différents bureaux, le « grain » possède deux options d'affichage d'icônes, gr ou grn.

Note: Les unités disponibles et les modes varient selon les réglementations locales.

4.6 Protection des paramètres de la balance par apposition d'un sceau

Le commutateur de verrouillage de menu limite les changements à Cal, Setup, Mode et Unit menus. Le commutateur, dans les modèles approuvés, peut configurer certains paramètres tel que requis par l'organisme d'approbation. Le commutateur doit être sécurisé à l'aide de scellements approuvés.



5. MAINTENANCE

5.1 Dépannage

Le tableau suivant présente les problèmes communs, les causes possibles et les solutions.

Si le problème persiste, contactez OHAUS ou votre revendeur agréé.

Symptôme	Cause possible	Solution
Mise en marche impossible	La balance n'est pas alimentée	Vérifier la connexion et la tension
Précision de qualité médiocre	Étalonnage défectueux Environnement instable	Réaliser un étalonnage Déplacer la balance sur un emplacement stable
Étalonnage impossible	Environnement instable Poids d'étalonnage incorrect	Déplacer la balance sur un emplacement stable Utiliser un poids d'étalonnage correct
Impossible d'accéder au mode	Mode n'est pas activé	Entrer dans le menu et activer Mode
Impossible d'accéder aux unités	Les unités ne sont pas activées	Entrer dans le menu et activer les unités
Lo REF	Le poids de référence n'est pas assez élevé	Augmenter le poids de référence.
REF Err	Comptage des pièces - poids de l'échantillon <1d	Affichage d'une erreur - quitte le mode et passe sur [CLR.APU].

Err 3.0 CAL	Poids d'étalonnage incorrect	Reportez-vous à la section 2.5 pour des poids corrects.
Err 4.4 Full	Le tampon RS232 est plein	Activer l'établissement d'une liaison, se reporter au manuel de l'utilisateur de l'interface.
Err 8.1 Load	Puissance sur la gamme zéro dépassée	Vider la plate-forme, vérifier le réglage du verrouillage d'expédition
Err 8.2 Load	Puissance sur le zéro sous la gamme	Installer la plate-forme, vérifier le réglage du verrouillage d'expédition
Err 8.3 Load	Surcharge (>cap+9e)	La charge dépasse la capacité maximum de la balance
Err 8.4 Load	Charge insuffisante	Mesures inférieures à la plage minimum - Installer à nouveau la plate-forme.
Err 8.6 999999	Valeur affichée >999999	Le résultat dépasse la capacité d'affichage.
Err 9 dAtA	Erreur de données internes	Contactez OHAUS ou un agent d'entretien agréé
Err 13 Error	Impossible d'écrire sur l'EEPROM	Contactez OHAUS ou un agent d'entretien agréé
Err 53 Error	Données de somme de contrôle invalides	Contactez OHAUS ou un agent d'entretien agréé

5.2 Informations sur les services

Si la section de dépannage ne vous aide pas à résoudre votre problème ou ne le décrit pas, contactez un technicien agréé OHAUS. Pour de l'aide relative aux services ou pour de l'assistance technique aux États-Unis, appelez gratuitement le 1-800-526-0659 entre 8h00 et 17h00 (heure de l'est). Un spécialiste des produits OHAUS se tient à votre disposition pour vous fournir de l'aide. En dehors des États-Unis, visitez notre site Web sur www.OHAUS.com pour localiser le bureau OHAUS le plus proche de chez vous.

5.3 Accessoires

Kit Batterie rechargeable	83032106 (NVL, NVT)		
Kit d'interface RS232	83032107 (NV, NVL, NVT)		
Kit d'interface USB	83032108 (NV, NVL, NVT)		
Kit d'interface Ethernet	83032109 (NV, NVL, NVT)		
Housse de protection pendant utilisation	83032223 (NV)	83032222 (NVL)	83032221 (NVT)
Malette de transport	83032226 (NV)	83032225 (NVL)	83032224 (NVT)
Imprimantes et câbles	Contact OHAUS		

6. DONNÉES TECHNIQUES

Les données techniques sont valides dans les conditions ambiantes suivantes:

Température ambiante: 10°C à 40°C, Modèles approuvés (M) 0°C à 40°C

Humidité relative: humidité relative entre 20 et 85 %, sans condensation

Altitude au-dessus du niveau de la mer: Jusqu'à 4 000 m

Fonctionnement : assuré à température ambiante entre 0°C et 40°C

Alimentation : Adaptateur CA - 12 V CC, 420 mA en sortie, 4 piles ou batteries rechargeables

Protection : poussière et eau

Degrés de pollution : 2

Catégorie d'installation : Classe III

CEM : Reportez-vous à la Déclaration de conformité

6.1 Spécifications

Spécifications générales:

Durée de stabilisation	≤1 seconde
Plage de tare	À capacité par soustraction
Modes d'application	poids, pourcentage, comptage des pièces, vérification du poids, accumulation, maintien
Unités de pesage	non approuvés: ct, g, kg, grn, lb, oz, lb:oz, ozt, N, dwt, tael (3), tola, tical M modèles: g, kg, ct N modèles: g, kg, ct, lb, oz, ozt, dwt, grn
Alimentation CA	Adaptateur CA (fourni) - 12 V CC ou 12 V CA, 420 mA
Alimentation pile	NVT : 4 piles (LR6) (non fournies) NVL, NVT : 4 piles (LR14) (non fournies) ou option de batteries rechargeables
Étalonnage	Numérique avec poids externe
Affichage ACL	ACL 6 chiffres 7 segments avec rétroéclairage à DEL blanches
Affichage DEL	DEL 6 chiffres 7 segments
Dimensions de l'affichage	20 mm chiffres
Clavier	4 boutons avec recouvrement plus deux capteurs IR programmables
Protection contre pénétration	IP43 (Modèles NVL et NVT)
Dimensions plate-forme (LxP)	NV : 190 mm x 138 mm NV212 : Ø120mm NVL : 194 mm x 203 mm NVT : 230 mm x 174 mm
Poids net ¹	NV : 1,0 kg / 2,2 lb NVL : 1,5 kg / 3,3 lb NVT : 1,5 kg / 3,3 lb
Poids à l'expédition ¹	NV : 1,4 kg / 3,1 lb NVL : 2,3 kg / 5,1 lb NVT : 2,3 kg / 5,1 lb

Remarque 1 : /1 et /3 modèles ajouter 0,5 kg

Modèles non approuvés:

Modèle 1,2	Capacité	Précision d'affichage (d)	Répétabilité	Linéarité	Masse calibrage portée	Masses cal. lin.
NV212	210g	0,01g	1d	±2d	200g	100g, 200g
NV211*	210g	0.1g	1d	±2d	200g	100g, 200g
NV511	510g	0,1g	1d	±2d	300g	300g, 500g
NV1101	1100g	0,1g	1d	±2d	500g	500g, 1000g
NV2101	2100g	0,1g	1d	±2d	1kg	1kg, 2kg
NV4101	4100g	0,2g	1d	±2d	2kg	2kg, 4kg
MV5101	5100g	0,5g	1d	±2d	3kg	3kg, 5kg
NV4000*	4000g	1g	1d	±2d	2kg	2kg, 4kg
NVL511	510g	0,1g	1d	±2d	300g	300g, 500g
NVL1101	1100g	0,1g	1d	±2d	500g	500g, 1000g
NVL2101	2100g	0,1g	1d	±2d	1kg	1kg, 2kg
NVL5101	5100g	0,5g	1d	±2d	3kg	3kg, 5kg
NVL10000	10000g	1g	1d	±2d	5kg	5kg, 10kg
NVL20000	20000g	1g	1d	±2d	10kg	10kg, 20kg
NVT1601	1600g	0,1g	1d	±2d	1kg	1kg, 1,5kg

NVT3201	3200g	0,2g	1d	±2d	2kg	2kg, 3kg
NVT6401	6400g	0,5g	1d	±2d	5kg	3kg, 6kg
NVT10001	10000g	0,5g	1d	±2d	10kg	5kg, 10kg
NVT16000	16000g	1g	1d	±2d	10kg	10kg, 15kg

Remarque 1 : /1 = Option batteries rechargeables installées en usine

/2 = Affichage DEL

/3 = Affichage DEL avec option batteries rechargeables installées en usine

Remarque 2: *: disponible uniquement dans certains pays.

Modèles approuvés:

Modèle ^{1,2}	Max=	e=	Classe d'approbation	Masse calibrage portée	Masses cal. lin.
NV311	310g	0.1g	III	200g	200g, 300g
NV3100	3100g	1g	III	2kg	2kg, 3kg
NVT1601	1600g	0.5g	III	1kg	1000g,1500g
NVT3200	3200g	1g	III	2kg	2kg, 3kg
NVT6400	6400g	2g	III	5kg	3kg, 6kg
NVT16000	16000g	5g	III	10kg	10kg, 15kg

Remarque 1 : M = Type EC approuvé

N = certifié NTEP et approuvé Mesure Canada

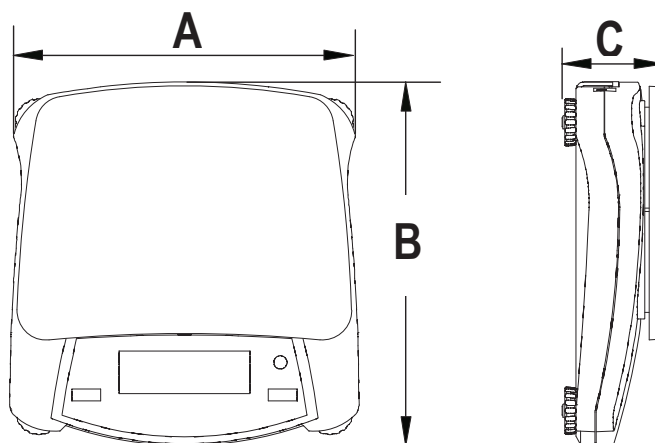
Remarque 2 : /1 = Option batteries rechargeables installées en usine

/2 = Affichage DEL

/3 = Affichage DEL avec option batteries rechargeables installées en usine

Exemple : NVT3200M/3



6.2 Schémas



	A	B	C
NV	204 mm	212 mm	58 mm
NVL	204 mm	282 mm	74 mm
NVT	240 mm	250 mm	74 mm

6.3 Conformité

La conformité aux normes suivantes est indiquée par la marque correspondante sur le produit.

Marquage	Norme
	Ce produit est conforme à la directive EMC 2004/108/CE et à la directive de basse tension 2006/95/CE et à la directive sur les instruments de pesage à fonctionnement non automatique 2009/23/CE. La déclaration de conformité est disponible en ligne à www.OHAUS.com .
	AS/NZS4251.1; AS/NZS4252.1

Remarque importante pour les instruments de pesage vérifiés dans les pays de l'UE



Les instruments de pesage vérifiés en usine portent l'identification ci-contre sur leur emballage et un autocollant "M" vert sur la plaque d'identification. Ils peuvent être utilisés après leur installation.



Les instruments de pesage vérifiés en deux étapes portent l'identification ci-contre sur leur emballage et n'ont pas d'autocollant "M" vert sur la plaque d'identification. La seconde étape de la vérification doit être effectuée par le service technique ou l'agent de vérification autorisée.

La première étape de la vérification a été effectuée en usine. Cela comprend tous les essais selon la norme EN45501-8.2.2.

Si la durée de la vérification est limitée selon les prescriptions nationales dans les différents pays, l'utilisateur d'une telle balance est lui-même responsable de la vérification ultérieure dans les délais prévus.

Elimination



En conformité avec les exigences de la directive européenne 2002/96/CE relative aux déchets d'équipements électriques et électroniques (DEEE), cet appareil ne doit pas être éliminé avec les déchets ménagers. Logiquement, ceci est aussi valable pour les pays en dehors de l'UE conformément aux réglementations nationales en vigueur.

La directive 2006/66/CE sur les batteries introduit de nouveaux impératifs à partir de septembre 2008 sur le retrait des batteries d'un équipement destiné au rebut dans tous les États membres de l'Union européenne. Pour être conforme à cette directive, cet appareil a été conçu pour un retrait sans danger des batteries usagées par une installation de traitement des déchets.

Veuillez éliminer cet appareil conformément aux prescriptions locales dans un conteneur séparé pour appareils électriques et électroniques.

Pour toute question, adressez-vous aux autorités compétentes ou au revendeur chez qui vous avez acheté cet appareil.

En cas de remise de cet appareil (p. ex. pour une utilisation privée ou artisanale/industrielle), cette prescription doit être transmise en substance.

Des directives concernant la mise au rebut en Europe sont disponibles en ligne à www.ohaus.com.

Choisissez votre pays, puis cherchez « WEEE ».

Merci pour votre contribution à la protection de l'environnement.

Remarque d'Industrie Canada

Cet appareil numérique de la classe A est conforme à la norme NMB-003 du Canada.

Enregistrement ISO 9001

En 1994, le Bureau Veritus Quality International (BVQI) a octroyé la certification d'enregistrement ISO 9001 à OHAUS Corporation, États-Unis d'Amérique, confirmant que le système de gestion de la qualité OHAUS était conforme aux conditions normalisées de l'ISO 9001. Le 15 mai 2003, OHAUS Corporation, États-Unis d'Amérique, a été ré-enregistrée à la norme ISO 9001:2000.

GARANTIE LIMITEE

Les produits OHAUS sont garantis contre tous défauts de pièces et de main d'œuvre pour une période de garantie prenant effet le jour de la livraison. Pendant la période de garantie, OHAUS réparera ou, à sa discrétion, remplacera le(les) composant(s) défectueux gratuitement, à condition que le produit ait été retourné à OHAUS, tous frais de port à charge de l'expéditeur.

Cette garantie ne s'applique pas si le produit a été endommagé accidentellement ou par une mauvaise utilisation, s'il a été exposé à des matériaux radio-actifs ou corrosifs, si des corps étrangers y ont pénétré ou si des modifications ont été apportées au produit autres que celles effectuées par OHAUS. En l'absence de retour de la carte d'enregistrement de garantie, la période de garantie prend effet à la date de livraison au revendeur agréé. OHAUS Corporation ne concède pas d'autre garantie, expresse ou implicite. OHAUS Corporation ne pourra être tenue responsable pour les dommages résultants.

Compte tenu que la législation diffère d'un Etat à l'autre et d'un pays à l'autre, veuillez contacter OHAUS ou votre revendeur local OHAUS pour plus d'informations.

Enregistrement du produit

Protégez votre investissement. Enregistrer votre produit auprès de votre revendeur OHAUS. Aux États-Unis et le Canada inscrire en ligne à www.ohaus.com.

1. EINLEITUNG

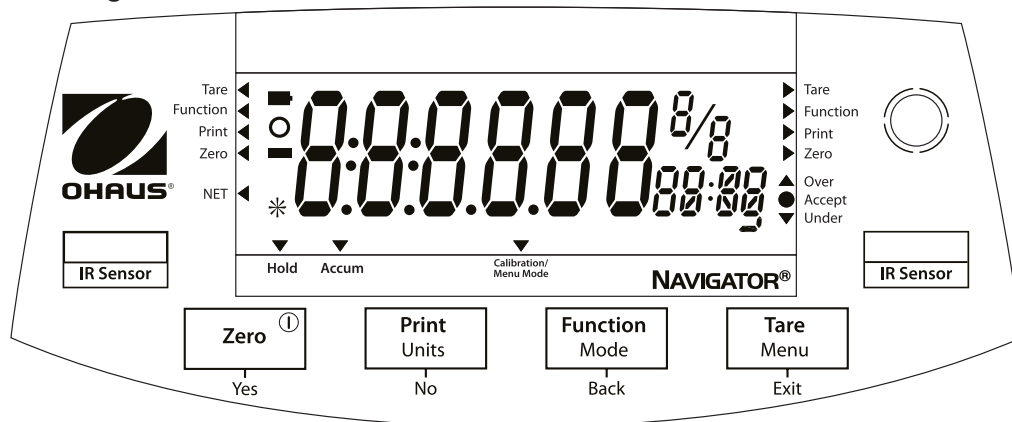
Dieses Handbuch enthält Anweisungen zur Installation, zum Betrieb und zur Wartung der Navigator®-Serie. Bitte lesen Sie das Handbuch ganz durch, bevor Sie die Waage in Betrieb nehmen.

1.1 Sicherheitsvorkehrungen

Bitte befolgen Sie die folgenden Sicherheitsmaßnahmen:

- Sicherstellen, dass die Eingangsspannung des Netzadapters der örtlichen Netzspannung entspricht.
- Die Waage nur an trockenen Orten verwenden.
- Die Waage nicht unter widrigen Umgebungsbedingungen betreiben.
- Keine Lasten auf die Plattform fallen lassen.
- Reparaturen sollten nur von dazu befugtem Personal durchgeführt werden.

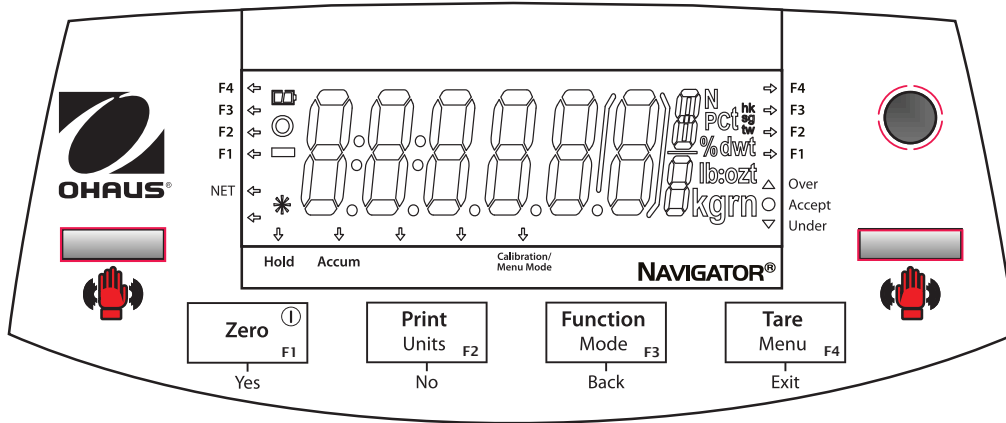
1.2 Steuerungen



Standard (nicht zugelassene) Modelle -- abgebildet mit LED-Anzeige.

Taste	Funktionen
Zero ①	Kurzes Drücken (wenn eingeschaltet): Stellt das Display auf Null (wenn ausgeschaltet): Schaltet Waage ein Langes Drücken (wenn eingeschaltet): Schaltet die Waage aus
Yes	Kurzes Drücken (in Menü): Wählt/akzeptiert angezeigte Einstellung
Print	Kurzes Drücken: Die Beschreibung des Betriebs finden Sie im Schnittstellenhandbuch.
Units	Langes Drücken: Durchläuft aktive Einheiten
No	Kurzes Drücken (in Menü): Durchläuft die verfügbaren Einstellungen
Function Mode	Kurzes Drücken: Wählt die Funktionseinstellung
Back	Langes Drücken: Wählt den aktiven Modus Kurzes Drücken (in Menü): Kehrt zu den vorherigen Einstellungen zurück
Tare Menu	Kurzes Drücken: Gibt einen Tarawert ein bzw. löscht ihn
Exit	Langes Drücken: Ruft das Benutzermenü auf Kurzes Drücken (in Menü): Beendet schnell das Benutzermenü
IR Sensor – links IR Sensor – rechts	Die IR-Sensoren können so programmiert werden, dass sie als „berührungslose“ Tasten fungieren. Die verfügbaren Einstellungen entnehmen Sie dem Abschnitt „Benutzermenü“.

Die IR-Sensoren können durch Handbewegung, ca 12mm über den Sensoren, aktiviert werden. Der Abstand zur Aktivierung der Sensoren kann, je nach Umgebungsbedingungen, unterschiedlich sein. Die Sensoren können auch deaktiviert werden, um ungewolltes Aktivieren zu verhindern.



Genehmigt Modelle -- abgebildet mit LCD-Anzeige.

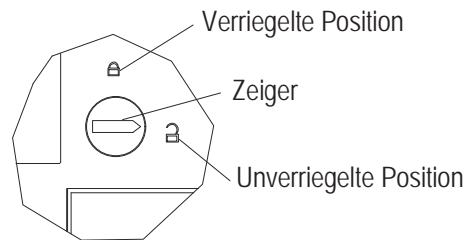
2. INSTALLATION

2.1 Packungsinhalt

- Waage
- Schale
- Netzadapter
- Bedienungsanleitung
- Garantiekarte

2.2 Transportsperre

Die Transportsperre befindet sich unter der Waage. Den Zeiger auf die entriegelte Position drehen.

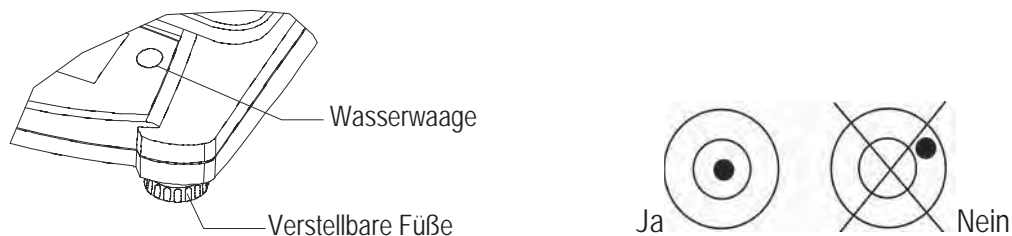


Hinweis: Kein Versand Sperre auf Genehmigt Modelle.

2.3 Standort

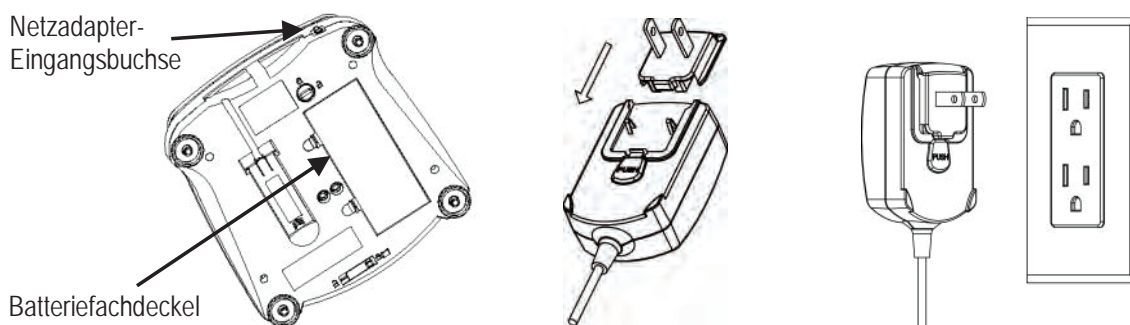
Verwenden Sie die Waage auf einer festen, stabilen Oberfläche. Vermeiden Sie Standorte mit zu starken Luftströmungen, Vibrationen, Wärmequellen oder schnellen Temperaturschwankungen.

Stellen Sie die Nivellierfüße so ein, dass sich die Blase genau in der Kreismitte befindet.



2.4 Stromversorgung

Der Netzadapter wird zur Stromversorgung der Waage verwendet, wenn kein Batteriestrom benötigt wird.



Den Netzadapterstecker an die Eingangsbuchse anschließen.

Den Netzadapter an eine geeignete Netzversorgung anschließen.

Einlegen der Batterien (ohne optionales internes Akku):

Die Batterieabdeckung entfernen und 4 Batterien einlegen. Die Polarität muss der im Fach angezeigten Polarität entsprechen.

Optionaler aufladbarer Akku (nur NVL- und NVT-Modelle):

Waagen mit der optionalen internen Akku-Option müssen 12 Stunden lang aufgeladen werden, bevor die Waage zum ersten Mal mit Akkustrom betrieben werden kann. Der Akku ist gegen eine Überladung geschützt, sodass die Waage weiterhin am Netzstrom angeschlossen bleiben kann. Wenn der Akku vollständig aufgeladen ist, hört die Akku-Anzeige auf dem Display auf zu blinken.

So entfernen Sie den Akku-Option und installieren C Batterien, bitte die Option Aufladen des Akkus Bedienungsanleitung Schritt für Schritt-Anleitung sowie Hinweise zur Entsorgung.



Vorsicht : Explosionsgefahr kann auftreten, wenn der Akku mit einem falschen Typ ersetzt wird oder wenn der Akku nicht richtig angeschlossen ist.

2.5 Anfängliche Kalibrierung

Wenn die Waage zum ersten Mal installiert wird, sollte sie kalibriert werden, um genaue Ergebnisse sicherzustellen.

Menu drücken und gedrückt halten, bis [MENU] (Menü) eingeblendet wird. Wenn die Taste losgelassen wird, erscheint auf dem Display [C.A.L.]. Auf **YES** drücken, um dies zu akzeptieren. Daraufhin wird [SPAN] (Messspanne) eingeblendet. Erneut auf **Yes** drücken, um mit der Messspannenkalibrierung zu beginnen. [--E--] blinkt, während der Null-Messwert gespeichert wird. Als Nächstes erscheint auf dem Display der Kalibrierungsgewichtswert. Das vorgegebene Kalibriergewicht auf die Schale platzieren.

[--E--] blinkt, während der Messwert gespeichert wird. Die Waage kehrt zum vorherigen Anwendungsmodus zurück und ist betriebsbereit.

Erforderliches Kalibriergewicht (separat erhältlich)					
Kapazität	Gewicht	Kapazität	Gewicht	Kapazität	Gewicht
210g	200g	1600g - 2100g	1kg	6400g - 10kg	5kg
310g - 510g	300g	3100g - 4100g	2kg	16kg - 20kg	10kg
1100g	500g	5100g	3kg		

3. BETRIEB

Alle Modi mit Ausnahme des Wägemodus müssen im Benutzermenü aktiviert werden, bevor sie zur Verfügung stehen (siehe Abschnitt 4).

3.1 Wägemodus

1. Die Taste **Mode** drücken und gedrückt halten, bis [**WEIGH**] (Wägen) angezeigt wird.
2. Nach Bedarf einen leeren Behälter auf die Schale stellen und **Tare** drücken.
3. Dem Behälter Material hinzufügen. Auf dem Display erscheint das Gewicht des Materials.

3.2 Stückzahlmodus

In diesem Modus werden große Anzahlen von Artikeln gezählt, und zwar basierend auf dem Gewicht einer Bezugszählung.

1. Einen leeren Behälter auf die Schale stellen und **Tare** drücken.
2. Die Taste **Mode** drücken und gedrückt halten, bis [**Count**] (Zählung) eingeblendet wird. Anschließend wird [**CLR.APW**] (Durchschnittliches Stückgewicht löschen) angezeigt.
3. Auf **No** drücken, um das zuvor gespeicherte APW (durchschnittliche Stückgewicht) zu verwenden. Mit Schritt 6 fortfahren.
4. Auf **Yes** drücken, um ein APW festzulegen. Die Waage zeigt anschließend den gespeicherten Probenumfang an, d. h. [**Put 10**] (10 auflegen). Auf **No** oder **Back** drücken, um die Optionen zu durchlaufen (5, 10, 20, 50 oder 100).
5. Die angezeigte Stückzahl auf die Schale legen und anschließend auf **Yes** drücken, um das APW zu berechnen. Auf dem Display erscheint die Stückzahl. Hinweis: Auf **Function** drücken, um den aktuellen APW-Wert aufzurufen.
6. Weitere Stücke auflegen, bis die gewünschte Zahl erreicht ist.
7. Zum Löschen des gespeicherten APW-Wertes **Mode** drücken und gedrückt halten, bis [**Count**] (Zählung) eingeblendet wird. Auf **Yes** drücken, wenn [**CLR.APW**] (APW löschen) angezeigt wird.

3.3 Prozentmodus

In diesem Modus wird das Gewicht einer Probe als Prozentsatz eines Bezugsgewichts gemessen.

1. Einen leeren Behälter auf die Schale stellen und **Tare** drücken.
2. Die Taste **Mode** drücken und gedrückt halten, bis [**Percent**] (Prozent) eingeblendet wird. Anschließend wird [**CLR.ref**] (Bezug löschen) angezeigt.
3. Auf **No** drücken, um das gespeicherte Bezugsgewicht zu verwenden, und mit Schritt 6 fortfahren.
4. Auf **Yes** drücken, um einen neuen Bezugswert festzulegen. Auf der Waage erscheint jetzt [**Put.ref**] (Bezugsgewicht auflegen).
5. Das gewünschte Bezugsmaterial dem Behälter hinzufügen. Auf **Yes** drücken, um das Bezugsgewicht zu speichern. Auf dem Display erscheint 100 %. Hinweis: Auf **Function** drücken, um das aktuelle Bezugsgewicht aufzurufen.
6. Das Bezugsmaterial durch das Probenmaterial ersetzen. Auf dem Display erscheint der Prozentsatz der Probe im Vergleich zum Bezugsgewicht.
7. Zum Löschen des gespeicherten Bezugsgewichts **Mode** drücken und gedrückt halten, bis [**Percent**] (Prozent) eingeblendet wird. Auf **Yes** drücken, wenn [**CLR.ref**] (Bezug löschen) angezeigt wird.

3.4 Display-Speichermodus

In diesem Modus wird der höchste stabile Gewichtswert für eine leichte Bezugnahme auf dem Display gespeichert.

1. Die Taste **Mode** drücken und gedrückt halten, bis [**Hold**] eingeblendet wird.
2. Die zu wiegenden Proben auf die Schale legen. Wenn die Waage den höchsten stabilen Gewichtswert erkennt, blinkt der „Hold“-Anzeiger und das angezeigte Gewicht ändert sich nicht mehr.
3. Auf **Function** drücken, um den gespeicherten Gewichtswert wieder freizugeben.

3.5 Akkumulationsmodus

In diesem Modus kann der Benutzer den Gesamtwert einer Reihe von Gewichtsmessungen speichern. Mit einer Schnittstellenoption können die einzelnen Gewichte sowie das Gesamtgewicht übertragen werden.

1. Die Taste **Mode** drücken und gedrückt halten, bis [**ACCUM**] (Akkumulieren) eingeblendet wird. Anschließend wird [**CLR.ACC**] (Akkumulation löschen) angezeigt.
2. Auf **Yes** drücken, um den gespeicherten Wert zu löschen, bzw. auf **No**, um dem gespeicherten Gesamtwert weitere Werte hinzuzufügen.
3. Nach Bedarf einen leeren Behälter auf die Schale stellen und **Tare** drücken.
4. Nach Auflegen des ersten Artikels wird das entsprechende Gewicht angezeigt. Auf **Function** drücken, um das Gewicht zu speichern. Der Anzeiger „Accum“ blinkt, und auf dem Display erscheint das Gesamtgewicht.
5. Den ersten Artikel entfernen und dann den nächsten Artikel auflegen. Auf der Waage wird das entsprechende Gewicht angezeigt. Auf **Function** drücken, um das Gewicht zu speichern. Der Anzeiger „Accum“ blinkt, und das neue Gesamtgewicht wird angezeigt.
6. Schritt 5 für alle Artikel wiederholen, die hinzugefügt werden.
Hinweis: Während auf dem Display Null angezeigt wird, auf **Function** drücken, um die aktuelle Gesamtzahl der Proben und das Gesamtgewicht anzuzeigen.
7. Zum Löschen des gespeicherten Gesamtgewichts **Mode** drücken und gedrückt halten, bis [**ACCUM**] eingeblendet wird. Auf **Yes** drücken, wenn [**CLR.ACC**] angezeigt wird.

3.6 Kontrollwägemodus

In diesem Modus werden die unteren und oberen Gewichtsgrenzwerte für die Portionierungssteuerung eingestellt.

1. Die Taste **Mode** drücken und gedrückt halten, bis [**CHECK**] (Kontrollwägen) eingeblendet wird. Anschließend wird [**CLR.REF**] (Bezüge löschen) angezeigt.
2. Auf **No** drücken, um die gespeicherten Gewichtsgrenzwerte zu verwenden, und mit Schritt 5 fortfahren. Hinweis: Auf **Function** drücken, um die unteren und oberen Bezugsgewichtsgrenzwerte anzuzeigen.
3. Auf **Yes** drücken, um neue Bezugswerte festzulegen. Auf der Waage wird dann [**SEL. Lo**] angezeigt. Auf **Yes** drücken, um den „niedrigen“ Grenzwert anzuzeigen. Zum Akzeptieren auf **Yes** drücken bzw. auf **No**, um den „niedrigen“ Grenzwert zu bearbeiten. Der gespeicherte Wert wird dann so angezeigt, dass die erste Ziffer hervorgehoben erscheint [**000.000 kg**]. Wiederholt auf **No** drücken, bis die gewünschte Zahl erscheint. Auf **Yes** drücken, um den Wert zu akzeptieren und die nächste Ziffer hervorzuheben. Wiederholen, bis alle Ziffern korrekt sind. Auf **Yes** drücken, um den „niedrigen“ Grenzwert zu akzeptieren. Daraufhin wird [**SEL.Hi**] angezeigt.
4. Dasselbe Verfahren wiederholen, um den „hohen“ Wert zu akzeptieren oder zu bearbeiten.
5. Probenmaterial auf die Schale legen. Der Anzeiger „Accept“ zeigt jetzt, dass das Probengewicht innerhalb des akzeptablen Bereichs liegt.
6. Zum Löschen der gespeicherten Bezugswerte **Mode** drücken und gedrückt halten, bis [**CHECK**] eingeblendet wird. Auf **Yes** drücken, wenn [**CLR.REF**] angezeigt wird.

4. EINSTELLUNGEN

Im Benutzermenü können die Waageneinstellungen benutzerspezifisch angepasst werden.
Hinweis: Wenn Schnittstellenoptionen installiert sind, stehen eventuell zusätzliche Untermenüs zur Verfügung. Weitere Informationen über Einstellungen finden Sie im Schnittstellen-Benutzerhandbuch.

4.1 Menünavigation

Benutzermenü:

Untermenüs:	.C.a.l.	.S.e.t.u.p.	.M.o.d.e.	.U.n.i.t.	.E.n.d.
Menüelemente:	Span Lin	A-off Disply Bright IR.LEFT IR.RGHT	Count Percnt Hold Accum Check End	ct, g, kg, grn, lb, oz, lb:oz, ozt, N, dwt, thk, tsg, tw, tola, tical End	

„Menu“ drücken und gedrückt halten, bis [MENU] (Menü) eingeblendet wird. Bei Loslassen der Taste wird das erste Untermenü [.C.A.L.] (Kal) angezeigt.

Auf **Yes** drücken, um das angezeigte Untermenü aufzurufen, bzw. auf **No** drücken, um zum nächsten Untermenü vorzurücken.

Durch Auswahl eines Untermenüs wird das erste Menüelement angezeigt. Auf **Yes** drücken, um die Menüelementeinstellung anzuzeigen, bzw. auf **No** drücken, um zum nächsten Menüelement vorzurücken. Beim Betrachten der Einstellung **Yes** drücken, um die Einstellung zu akzeptieren, bzw. auf **No**, um die Einstellung zu ändern. Wenn [End] (Ende) angezeigt wird, auf **Yes** drücken, um zu den Untermenüoptionen zurückzukehren, bzw. auf **No**, um zum ersten Element im aktuellen Menü zurückzukehren.

4.2 Untermenü Cal (Kalibrierung)

- Messspanne [SPAN] (yes [ja], no [nein]) – Leitet eine Messspannenkalibrierung ein (Null und Messspanne). Eine Messspannenkalibrierung ist für die anfängliche Einrichtung der Waage wichtig.
- Lin [L] (yes, no) – Leitet eine Linearitätskalibrierung ein (Null, Mittelpunkt und Messspanne).

4.3 Untermenü Setup

Die LCD mit Hinterleuchtung und die (rote) LED haben je nach Funktionalität unterschiedliche Menüelemente oder Einstellungen.

- Automatisches Ausschalten [A-OFF] (on [ein], off [aus]) – Wenn das automatische Ausschalten auf „on“ (ein) steht, schaltet sich die Waage nach 5 Minuten ohne Aktivität automatisch aus. Das automatische Ausschalten wird verwendet, um Batteriestrom zu sparen.
- Display [d, SPL Y] (on, auto, dim (LED), off (LCD)) – Mit dieser Einstellung werden die LCD-Hinterleuchtung bzw. die LED-Ziffern gesteuert; sie sind entweder konstant eingeschaltet oder werden automatisch nach 5 Sekunden ohne Waagenaktivität ausgeschaltet oder die LED wird nach 60 Sekunden ohne Waagenaktivität gedimmt oder die LCD-Hinterleuchtung ist immer ausgeschaltet.
- Hell [br, ght] (hi [hoch], mid [mittel], low [niedrig]) – Diese Einstellung steuert die Helligkeit des LED-Displays. Bei LCD-Modellen ist dieses Menüelement nicht vorhanden.
- IR-Sensor links [ir.LEFT] / rechts [ir.rght] (Off, Tare, Function, Print, Zero, Display) – Mit diesen Einstellungen wird die Rolle der IR-Sensoren festgelegt. Über „Zero“ (Null), „Print“ (Drucken), „Function“ (Funktion) oder „Tare“ (Tara) kann der IR-Sensor die jeweilige Funktion

der entsprechenden Taste ausführen. Mit „Display“ wird das Display aktiviert wenn „Display-Auto“ eingestellt ist. Mit „Off“ wird der Sensor deaktiviert.

4.4 Menü Mode (Modus)

Mit diesem Untermenü werden die Modi aktiviert, damit sie zur Verwendung mit der Mode-Taste zur Verfügung stehen. Der Wägemodus ist immer aktiv.

- Stückzählung [**COUNT**] (on [ein], off [aus]) – Zur Aktivierung des Modus auf „ein“ stellen.
- Prozent [**PERCENT**] (on, off) - Zur Aktivierung des Modus auf „ein“ stellen.
- Display-Speicher [**HOLD**] (on, off) - Zur Aktivierung des Modus auf „ein“ stellen.
- Akkumulieren [**ACCUM**] (on, off) - Zur Aktivierung des Modus auf „ein“ stellen.
- Kontrollwägen [**CHECK**] (on, off) – Zur Aktivierung des Modus auf „ein“ stellen.

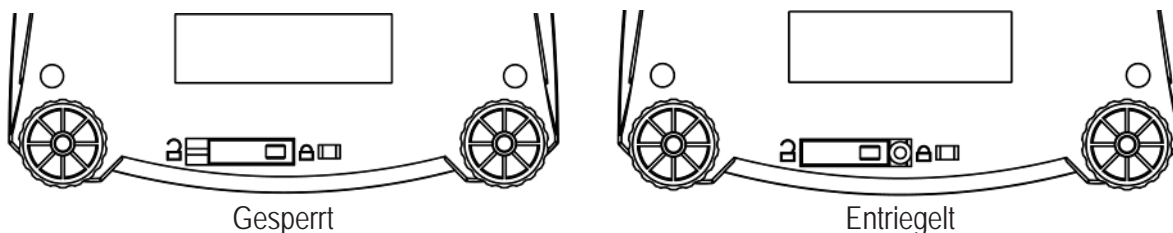
4.5 Menü Units (Einheiten)

Mit diesem Untermenü werden die Einheiten aktiviert, sodass sie über die Taste „Units“ aufgerufen werden können. Die Einheiten im Menü müssen auf „ein“ gestellt werden, damit sie aktiv sind. Die Einheiten Unze (oz) und Pfund:Unze (lb:oz) beinhalten die Optionen für die Anzeige von Dezimalwert [**DEC**] oder Bruchzahl [**FRA**]. Wegen unterschiedlicher behördlicher Anforderungen hat die Einheit „Grain“ zwei unterschiedliche Symbolanzeigeeoptionen, gr oder grn.

Hinweis: Einheiten und Anwendungen variieren je nach Modell und lokalen Vorschriften.

4.6 Zugriff auf die Waageneinstellungen versiegeln

Der Menü-Sperr-Schlüssel schränkt die Eingabemöglichkeiten im Cal-, Setup-, Mode- und Unit-Menü ein. Bei geeichten Modellen, sind manche Einstellungen durch das europäische Eichrecht vorgegeben. Der Schalter kann mit Klebesiegel, Drahtplomben und Kabelbinder gesichert werden.



5. WARTUNG

5.1 Fehlersuche

In der folgenden Tabelle sind häufig vorkommende Probleme, ihre möglichen Ursachen und Abhilfemaßnahmen aufgeführt.

Falls das Problem weiterhin auftritt, wenden Sie sich an OHAUS oder Ihren Vertragshändler.

Symptom	Mögliche Ursache	Abhilfemaßnahme
Kann nicht eingeschaltet werden	Keine Stromzufuhr zur Waage	Anschlüsse und Spannung überprüfen
Schlechte Genauigkeit	Falsche Kalibrierung Instabile Umgebung	Kalibrierung durchführen Waage an geeigneten Standort bringen
Lässt sich nicht kalibrieren	Instabile Umgebung Falsches Kalibriergewicht	Waage an einen geeigneten Standort verlegen Richtiges Kalibriergewicht verwenden
Modus kann nicht aufgerufen werden	Modus nicht aktiviert	Menü aufrufen und Modus aktivieren
Einheit kann nicht aufgerufen werden	Einheit nicht aktiviert	Menü aufrufen und Einheit aktivieren

Symptom	Mögliche Ursache	Abhilfemaßnahme
Lo rEF	Bezugsgewicht ist zu niedrig	Bezugsgewicht erhöhen
rEF Err	Stückzählung – Probengewicht <1 d.	Fehler wird angezeigt – beendet Modus oder ruft [CLR.APU] auf.
Err 3.0 CAL	Falsches Kalibriergewicht	Die richtigen Gewichte finden Sie in Abschnitt 2.5.
Err 4.4 Full	RS232-Puffer ist voll.	Handshake auf „ein“ stellen, siehe Schnittstellenbenutzerhandbuch.
Err 8.1 ~LoAd~	Bereich für Nullwert beim Einschalten überschritten	Last von der Schale abnehmen, Versandverriegelungseinstellung prüfen
Err 8.2 ~LoAd~	Nullwert beim Einschalten unter Bereich	Schale einbauen, Versandverriegelungseinstellung prüfen
Err 8.3 ~LoAd~	Überlast (>Kap+9e)	Last überschreitet maximale Waagenkapazität.
Err 8.4 ~LoAd~	Unterlast	Messwert unter Mindestbereich – Schale erneut einbauen.
Err 8.6 999999	Anzeigewert >999999	Ergebnis überschreitet Anzeigefähigkeit.
Err 9 dAtA	Interner Datenfehler.	OHAUS oder einen zugelassenen Service-Vertreter verständigen.
Err 13 r7Er7	Fehler beim Schreiben in EEPROM.	OHAUS oder einen zugelassenen Service-Vertreter verständigen.
Err 53 c5u7	Ungültige Prüfsummendaten	OHAUS oder einen zugelassenen Service-Vertreter verständigen.

5.2 Wartungsinformationen

Wenn Ihr Problem im Abschnitt „Fehlersuche“ nicht gelöst oder beschrieben wird, wenden Sie sich bitte an Ihren zugelassenen OHAUS-Servicevertreter. Wenn Sie in den Vereinigten Staaten Hilfe oder technischen Support benötigen, rufen Sie bitte zwischen 8.00 und 17.00 Uhr US-Ostküstenzeit (EST) die (in den USA) gebührenfreie Nummer 1-800-526-0659 an. Ein Produktservice-Spezialist von OHAUS wird Ihnen dann weiterhelfen. Außerhalb der USA besuchen Sie unsere Website www.OHAUS.com, um die für Sie am nächsten gelegene OHAUS-Geschäftsstelle zu finden.

5.3 Zubehör

Wiederaufladbare Akkusatz	83032106 (NVL, NVT)		
RS232-Schnittstellensatz-Set	83032107 (NV, NVL, NVT)		
USB-Schnittstellensatz-Set	83032108 (NV, NVL, NVT)		
Ethernet-Schnittstellensatz-Set	83032109 (NV, NVL, NVT)		
Arbeitsschutzabdeckung	83032223 (NV)	83032222 (NVL)	83032221 (NVT)
Transportkoffer	83032226 (NV)	83032225 (NVL)	83032224 (NVT)
Drucker und Kabel	Kontakt OHAUS		

6. TECHNISCHE DATEN

Die technischen Daten gelten bei folgenden Umgebungsbedingungen:

Umgebungstemperatur: 10 °C bis 40 °C, zugelassene Modelle (M) 0 °C bis 40 °C

Relative Feuchte: 20% bis 85% relative Feuchtigkeit, nicht kondensierend

Höhe über dem Meeresspiegel: bis zu 4000 m

Betriebsfähigkeit: gewährleistet bei Umgebungstemperaturen zwischen 0 °C und 40 °C

Leistung: Netzadapter – 12 V DC 420 mA Ausgang, 4 Batterien oder wiederaufladbarer Akku

Schutzklasse: Staub und Wasser

Verschmutzungsgrad: 2

Installationskategorie: Klasse III

EMC: Siehe Konformitätserklärung

6.1 Spezifikationen (Typische Spezifikationen:

Stabilisierungszeit	≤1 Sekunde
Tarierbereich	Auf Kapazität durch Subtraktion
Anwendungsmodi	Wägen, Prozent, Stückzählung, Kontrollwägen, Akkumulieren, Display-Speicher
Wägeeinheiten	Nicht zugelassene: ct, g, kg, grn, lb, oz, lb:oz, ozt, N, dwt, tael (3), tola, tical M modell: g, kg, ct N modell: g, kg, ct, lb, oz, ozt, dwt, grn
Netzstrom	Netzadapter (im Lieferumfang enthalten)- 12 V DC oder 12 V AC, 420 mA
Batteriestrom	NV: 4 AA- (LR6-) Batterien (nicht im Lieferumfang enthalten) NVL, NVT: 4 C- (LR14-) Batterien (nicht im Lieferumfang enthalten) oder wiederaufladbare Akku-Option
Kalibrierung	Digital mit externem Gewicht
LCD-Display	6-stelliges LCD mit 7 Segmenten und weißer LED-Hinterleuchtung
LED-Display	6-stelliges LCD mit 7 Segmenten
Display-Größe	Ziffern 20 mm
Tastenfeld	4-Tasten-Folie sowie zwei programmierbare IR-Sensoren
Schutzart	IP43
Schalengröße (B x T)	NV: 190 mm x 138 mm NV212: Ø120mm NVL: 194 mm x 203 mm NVT: 230 mm x 174 mm
Nettogewicht ¹	NV: 1,0 kg / 2,2 lb NVL: 1,5 kg / 3,3 lb NVT: 1,5 kg / 3,3 lb
Versandgewicht ¹	NV: 1,4 kg / 3,1 lb NVL: 2,3 kg / 5,1 lb NVT: 2,3 kg / 5,1 lb

Anmerkung 1: /1 und / 3 Modelle fügen 0.5kg

Nicht zugelassene Modelle:

Modell ^{1,2}	Kapazität	Ablesbarkeit (d)	Wiederholbarkeit	Linearität	Messspannen Kalibriergewicht	Linearitäts Kalibriergewicht
NV212	210g	0,01g	1d	±2d	200g	100g, 200g
NV211*	210g	0.1g	1d	±2d	200g	100g, 200g
NV511	510g	0,1g	1d	±2d	300g	300g, 500g
NV1101	1100g	0,1g	1d	±2d	500g	500g, 1000g
NV2101	2100g	0,1g	1d	±2d	1kg	1kg, 2kg
NV4101	4100g	0,2g	1d	±2d	2kg	2kg, 4kg
MV5101	5100g	0,5g	1d	±2d	3kg	3kg, 5kg
NV4000*	4000g	1g	1d	±2d	2kg	2kg, 4kg

NVL511	510g	0,1g	1d	±2d	300g	300g, 500g
NVL1101	1100g	0,1g	1d	±2d	500g	500g, 1000g
NVL2101	2100g	0,1g	1d	±2d	1kg	1kg, 2kg
NVL5101	5100g	0,5g	1d	±2d	3kg	3kg, 5kg
NVL10000	10000g	1g	1d	±2d	5kg	5kg, 10kg
NVL20000	20000g	1g	1d	±2d	10kg	10kg, 20kg
NVT1601	1600g	0,1g	1d	±2d	1kg	1kg, 1,5kg
NVT3201	3200g	0,2g	1d	±2d	2kg	2kg, 3kg
NVT6401	6400g	0,5g	1d	±2d	5kg	3kg, 6kg
NVT10001	10000g	0,5g	1d	±2d	10kg	5kg, 10kg
NVT16000	16000g	1g	1d	±2d	10kg	10kg, 15kg

Anmerkung 1: /1 = Ab Werk installierte wiederaufladbare Akku-Option

/2 = LED-Display

/3 = LED-Display mit ab Werk installierter wiederaufladbarer Akku-Option

Anmerkung 2: *: nur in einigen Ländern verfügbar.

Zugelassene Modelle:

Modell ^{1,2}	Max=	e=	Zulassungs- klasse	Messspannen Kalibriergewicht	Linearitäts Kalibriergewicht
NV311	310g	0,1g	III	200g	200g, 300g
NV3100	3100g	1g	III	2kg	2kg, 3kg
NVT1601	1600g	0,5g	III	1kg	1kg, 1,5g
NVT3200	3200g	1g	III	2kg	2kg, 3kg
NVT6400	6400g	2g	III	5kg	3kg, 6kg
NVT16000	16000g	5g	III	10kg	10kg, 15kg

Anmerkung 1: M= Mit EC-Typenzulassung

N = nach NTEP zertifiziert und nach Measurement Canada zugelassen

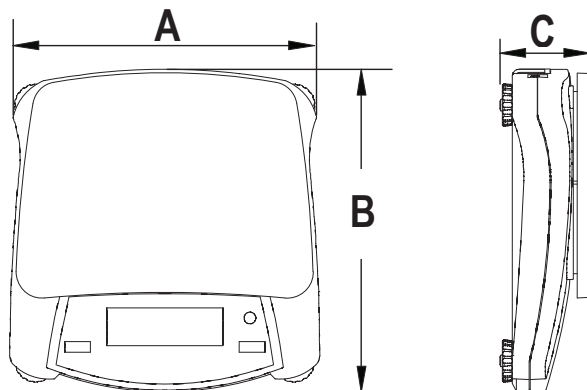
Anmerkung 2: /1 = Ab Werk installierte wiederaufladbare Akku-Option

/2 = LED-Display

/3 = LED-Display mit ab Werk installierter wiederaufladbarer Akku-Option

Beispiel: NVT3200M/3



6.2 Zeichnungen



	A	B	C
NV	204 mm	212 mm	58 mm
NVL	204 mm	282 mm	74 mm
NVT	240 mm	250 mm	74 mm

6.3 Befolgung

Befolgung zu den folgenden Standards wird durch die entsprechende Markierung auf dem Produkt angezeigt.

Markierung	Standard
	Dieses Produkt entspricht der EMC-Richtlinie 2004/108/EG, der Niederspannungsrichtlinie 2006/95/EG und der Richtlinie 2009/23/EG für nicht selbsttätige Waagen. Die Konformitätserklärung ist online unter www.ohaus.com erhältlich.
	AS/NZS4251.1; AS/NZS4252.1

Wichtiger Vermerk für geeichte Waagen in EU-Ländern



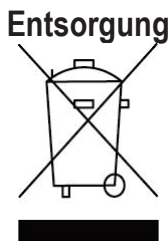
Werksgeeichte Waagen tragen vorstehendes Kennzeichen auf dem Packetkett und einen grünen „M“ Kleber auf dem Eichschild. Sie dürfen sofort in Betrieb genommen werden.



Waagen, die in zwei Schritten geeicht werden und kein grünes „M“ auf dem Eichschild haben, tragen vorstehendes Kennzeichen auf dem Packetkett. Der zweite Schritt der Eichung ist durch die behördlich anerkannte Serviceorganisation oder durch den Eichbeamten durchzuführen.

Der erste Schritt der Eichung wurde im Herstellerwerk durchgeführt. Er umfasst alle Prüfungen gemäss EN45501-8.2.2.

Sofern gemäss den nationalen Vorschriften in den einzelnen Staaten die Gültigkeitsdauer der Eichung beschränkt ist, ist der Betreiber einer solchen Waage für die rechtzeitige Nacheichung Selbst verantwortlich.



Entsorgung In Übereinstimmung mit den Anforderungen der Europäischen Richtlinie 2002/96/EG über Elektro- und Elektronik-Altgeräte (WEEE) darf dieses Gerät nicht mit dem Hausmüll entsorgt werden. Sinngemäss gilt dies auch für Länder ausserhalb der EU entsprechend den geltenden nationalen Regelungen.

Die EU-Richtlinie für Batterien 2006/66/EG führte im September 2008 neue Anforderungen an die Entfernbarkeit von Batterien aus Altgeräten in EU-Mitgliedstaaten ein. Um dieser Richtlinie zu entsprechen, wurde dieses Gerät für ein sicheres Entfernen der Batterien durch eine Abfallbehandlungsanlage am Ende seiner Lebensdauer konzipiert.

Bitte entsorgen Sie dieses Produkt gemäss den örtlichen Bestimmungen in einer getrennten Sammlung für Elektro- und Elektronikgeräte.

Bei allfälligen Fragen wenden Sie sich bitte an die zuständige Behörde oder den Händler, bei dem Sie dieses Gerät erworben haben.

Bei Weitergabe dieses Gerätes (z.B. für private oder gewerbliche/industrielle Weiternutzung) ist diese Bestimmung sinngemäss weiterzugeben.

Anweisungen zur Entsorgung in Europa sind online unter www.ohaus.com verfügbar. Wählen Sie Ihr Land und suchen Sie nach „WEEE“.

Vielen Dank für Ihren Beitrag zum Schutz der Umwelt.

Registrierung nach ISO 9001

Im Jahr 1994 wurde der OHAUS Corporation, USA, ein Zertifikat der Registrierung nach ISO 9001 vom Bureau Veritas Quality International (BVQI) verliehen, in dem bestätigt wird, dass das OHAUS-Qualitätsmanagementsystem den Anforderungen der Norm ISO 9001 entspricht. Am 15. Mai 2003 wurde die OHAUS Corporation, USA, gemäß der Norm ISO 9001:2000 neu registriert.

BESCHRÄNKTE GARANTIE

Auf OHAUS-Produkte wird ab Datum der Auslieferung über die Dauer des Garantiezeitraums hinweg eine Garantie gegen Material- und Herstellungsmängel gegeben. Während des Garantiezeitraums wird OHAUS kostenlos jegliche Komponente(n), die sich als defekt erweist (erweisen), reparieren oder nach eigenem Ermessen ersetzen, wenn das Produkt bei Vorauszahlung der Versandkosten an OHAUS zurückgeschickt wird.

Die Garantie gilt nicht, wenn das Produkt durch einen Unfall oder durch Missbrauch beschädigt wurde, wenn es radioaktiven oder korrodierenden Materialien ausgesetzt wurde, wenn Fremdkörper das Innere des Produkts durchdrungen haben oder wenn es auf Grund einer Reparatur oder Modifikation beschädigt wurde, die nicht von OHAUS durchgeführt wurde. Wenn keine ordnungsgemäß zurückgeschickte Garantierregistrierungskarte vorliegt, beginnt der Garantiezeitraum am Datum der Lieferung an den befugten Händler. OHAUS Corporation gibt keine sonstige ausdrückliche oder stillschweigende Garantie. OHAUS Corporation ist nicht haftbar für irgendwelche Folgeschäden.

Da die Gesetzgebung in Bezug auf Garantien von Bundesstaat zu Bundesstaat und von Land zu Land anders ist, wenden Sie sich bitte an OHAUS oder Ihren örtlichen OHAUS-Händler, wenn Sie weitere Einzelheiten erfahren wollen.

Produkt Registrierung

Schützen Sie Ihre Investitionen. Registrieren Sie Ihr Produkt mit Ihrem OHAUS-Händler. In den USA und Kanada Online-Registrierung unter www.ohaus.com

1. INTRODUZIONE

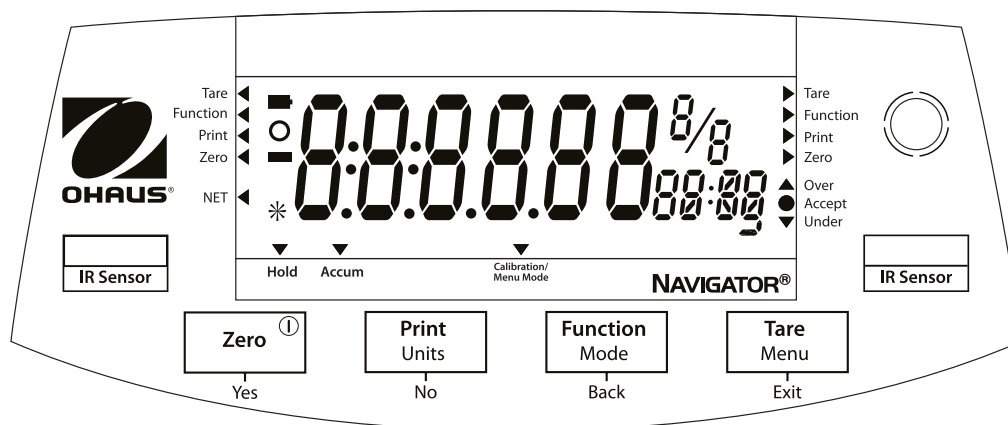
Questo manuale illustra l'installazione, il funzionamento e la manutenzione della serie Navigator®. Leggere il manuale interamente, prima di utilizzare la bilancia.

1.1 Precauzioni di sicurezza

Seguire le precauzioni di sicurezza riportate di seguito:

- Verificare che la tensione d'ingresso dell'adattatore CA corrisponda alla tensione di rete.
- Utilizzare la bilancia solo in luoghi asciutti.
- Non utilizzare la bilancia in ambienti difficili.
- Non far cadere pesi sulla piattaforma.
- Fare eseguire la manutenzione solo da personale autorizzato.

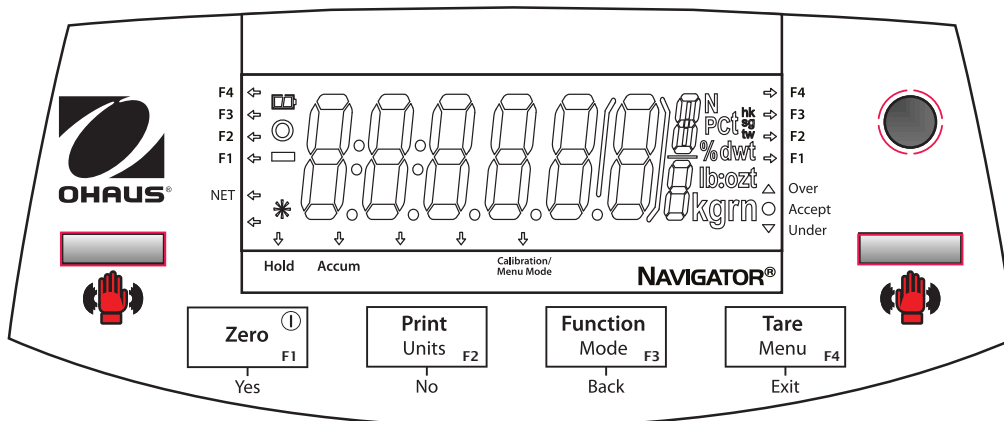
1.2. Comandi



Standard (non approvato) modelli –mostrato con display a LED.

Pulsante	Funzioni
Zero ①	Pressione breve (quando accesa): azzerà il display (quando spenta): accende la bilancia Pressione lunga (quando accesa): spegne la bilancia
Yes	Pressione breve (in Menu): seleziona/accetta l'impostazione visualizzata
Print	Pressione breve: per la descrizione operativa consultare il manuale dell'interfaccia.
Units	Pressione lunga: passa tra le unità attive
No	Pressione breve (in Menu): passa tra le impostazioni disponibili
Function Mode	Pressione breve: seleziona l'impostazione della funzione
Back	Pressione lunga: seleziona la modalità attiva Pressione breve (in Menu): ritorna alle impostazioni precedenti
Tare Menu	Pressione breve: immette/elimina un valore di tara
Exit	Pressione lunga: accede al menu User (Utente) Pressione breve (in Menu): esce rapidamente dal menu User (Utente)
IR Sensor (sinistro) IR Sensor (destra)	È possibile programmare i sensori IR come pulsanti "touchless". Per le impostazioni disponibili, consultare la sezione del menu User (Utente).

I sensori a infrarossi si possono attivare con la mano o con un oggetto posto a circa 12mm di distanza dal sensore stesso. La distanza dal sensore varia a seconda della natura riflettente dell'oggetto. In caso di attivazioni anomale, i sensori possono essere disattivati.



Approvati i modelli –mostrato con display a LCD.

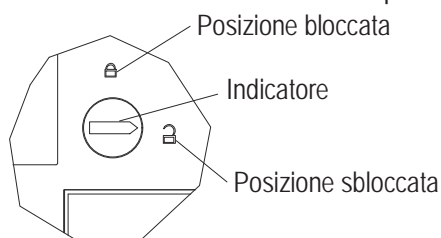
2. INSTALLAZIONE

2.1 Contenuto della confezione

- Bilancia
- Alimentatore di rete
- Scheda di garanzia
- Piatto
- Manuale di istruzioni

2.2 Blocco di trasporto

Il blocco di trasporto si trova sotto la bilancia. Ruotare l'indicatore fino alla posizione di sblocco.

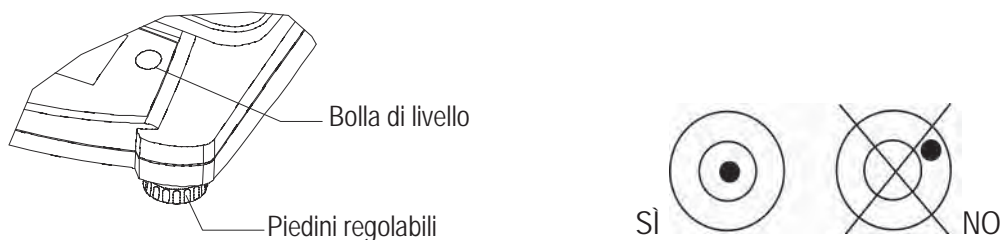


Nota: Nessun blocco di trasporto sui modelli approvati.

2.3 Ubicazione

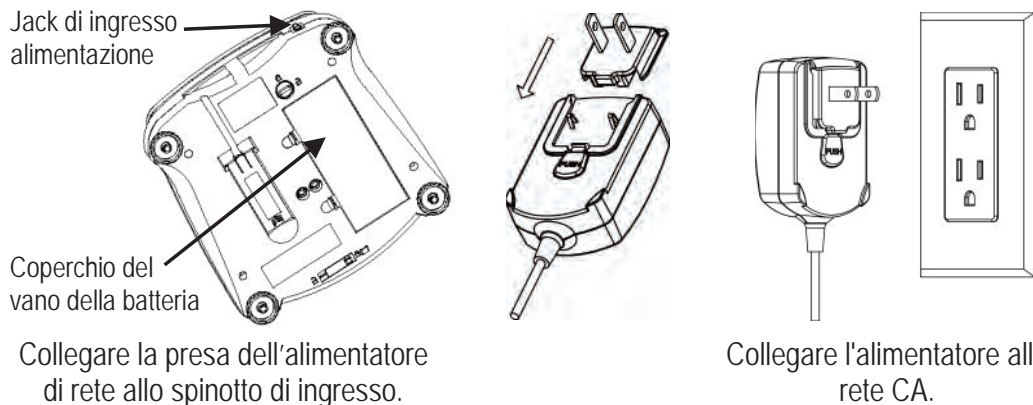
Utilizzare la bilancia su una superficie solida e ferma. Evitare luoghi in cui siano presenti correnti d'aria, vibrazioni, fonti di calore eccessive o brusche variazioni di temperatura.

Regolare i piedini fino a quando la bolla di livello non si trova al centro del cerchio.



2.4 Alimentazione

Quando l'alimentazione a batteria non è necessaria, per avviare la bilancia è possibile utilizzare l'alimentatore di rete.



Installazione della batteria (senza batteria interna opzionale):

Rimuovere il coperchio della batteria e installare quattro batterie nel compartimento, rispettando la polarità.

Batteria ricaricabile opzionale (solo modelli NVL e NVT):

Prima di utilizzare per la prima volta una bilancia dotata della batteria interna opzionale occorre ricaricare quest'ultima per 12 ore. La batteria è protetta da sovraccarichi e la bilancia può rimanere collegata alla linea dell'alimentazione di rete. Quando la batteria è completamente carica, la spia sul display non lampeggia più.

Per rimuovere l'opzione di batteria ricaricabile e installare batterie C, riferimento l'opzione di ricarica della batteria manuale di istruzioni per le istruzioni passo passo e le istruzioni per lo smaltimento.



Attenzione: se la batteria ricaricabile viene collegata in maniera non corretta o viene sostituita con un modello errato, esiste il rischio di Esplosione !

2.5 Regolazione iniziale

Per ottenere risultati precisi, è necessario regolare la bilancia al primo utilizzo.

Tenere premuto **Menu** fino a quando non viene visualizzato [MENU] (Menu). Quando si rilascia il pulsante, sul display viene visualizzato [.C.R.L.]. Premere **Yes** (Sì) per accettare, viene quindi visualizzato [SPAN]. Premere nuovamente **Yes** (Sì) per avviare la regolazione a intervallo. [---] lampeggia mentre viene memorizzata la lettura dello zero. Quindi sul display viene visualizzato il valore del peso della regolazione. Disporre il massa di taratura specificato sul vassoio. [---] lampeggia mentre viene memorizzata la lettura. La bilancia ritorna alla modalità di applicazione precedente ed è pronta per l'uso.

Peso di regolazione richiesto (venduto separatamente)					
Capacità	Massa*	Capacità	Massa*	Capacità	Massa*
210g	200g	1600g - 2100g	1kg	6400g - 10kg	5kg
310g - 510g	300g	3100g - 4100g	2kg	16kg - 20kg	10kg
1100g	500g	5100g	3kg		

3. FUNZIONAMENTO

Affinché siano disponibili occorre attivare tutte le modalità, a eccezione di quella di pesatura, nel menu User (Utente), fare riferimento alla sezione 4.

3.1 Modalità di pesatura

1. Tenere premuto **Mode** fino a quando non viene visualizzato [**WEIGH**].
2. Se necessario, disporre un contenitore vuoto sul piatto e premere **Tare**.
3. Aggiungere il materiale nel contenitore. Sul display viene visualizzato il peso del materiale.

3.2 Modalità conteggio parti

In questa modalità è possibile contare grandi quantità di articoli in base al peso di un conteggio di riferimento.

1. Collocare un contenitore vuoto sul piatto della bilancia e premere **Tare**.
2. Tenere premuto **Mode** fino a quando non viene visualizzato [**Count**] (Conteggio). Viene quindi visualizzato [**CLR.APW**] (Eliminare peso medio per pezzo).
3. Premere **No** per utilizzare il peso medio per pezzo (APW) memorizzato. Passare alla fase 6.
4. Premere **Yes** per stabilire peso medio per pezzo (APW). La bilancia visualizza quindi le dimensioni del campione memorizzato, ovvero [**Pwt ID**]. Premere **No** o **Back** (Indietro) per passare tra le scelte (5, 10, 20, 50 or 100).
5. Sistemare il numero di pezzi indicato sul piatto e premere **Yes** per calcolare il peso medio per pezzo. Sul display viene visualizzato il conteggio dei pezzi. Nota: premere **Function** per visualizzare il peso medio per pezzo corrente.
6. Aggiungere altri pezzi fino a raggiungere il conteggio desiderato.
7. Per eliminare il peso medio per pezzo memorizzato, tenere premuto **Mode** fino a quando non viene visualizzato [**Count**]. Premere **Yes** quando viene visualizzato [**CLR.APW**].

3.3 Modalità Percentuale

Questa modalità misura il peso di un campione come percentuale di un peso di riferimento.

1. Collocare un contenitore vuoto sul piatto della bilancia e premere **Tare**.
2. Tenere premuto **Mode** fino a quando non viene visualizzato [**PERcnt**] (Percentuale). Viene quindi visualizzato [**CLR.rEF**] (eliminare riferimento).
3. Premere **No** per utilizzare il peso di riferimento memorizzato e passare alla fase 6.
4. Premere **Yes** per stabilire un nuovo riferimento. Sulla bilancia viene visualizzato [**Pwt.rEF**].
5. Aggiungere il materiale di riferimento desiderato nel contenitore. Premere **Yes** per memorizzarlo il peso di riferimento. Sul display viene visualizzato 100%.
Nota: premere **Function** per visualizzare il peso di riferimento corrente.
6. Sostituire il materiale di riferimento con il materiale campione. Sul display viene visualizzata la percentuale del campione confrontata con il peso di riferimento
7. Per eliminare il riferimento memorizzato, tenere premuto **Mode** fino a quando non viene visualizzato [**PERcnt**]. Premere **Yes** quando viene visualizzato [**CLR.rEF**].

3.4 Modalità Display Hold

Questa modalità memorizza il valore del peso più stabile per un semplice riferimento.

1. Tenere premuto **Mode** (Modalità) fino a quando non viene visualizzato [**HoLd**].
2. Disporre i campioni da pesare sul piatto. Quando la bilancia rileva il peso più stabile la "spia Hold" lampeggia e il peso visualizzato non cambia.
3. Premere **Function** (Funzione) per rilasciare il valore del peso memorizzato.

3.5 Modalità Accumulazione

Questa modalità consente all'utente di memorizzare il totale di una serie di misurazioni di peso. Grazie a un'opzione di interfaccia è possibile trasmettere i pesi dei componenti e il peso totale.

1. Tenere premuto **Mode** fino a quando non viene visualizzato [**ACCUM**] (Accumula). Viene quindi visualizzato [**CLr.Acc**] (eliminare accumulazione).
2. Premere **Yes** per eliminare il valore memorizzato o **No** per continuare ad aggiungere al totale memorizzato.
3. Se necessario, disporre un contenitore vuoto sul piatto e premere **Tare**.
4. Aggiungere il primo articolo, viene visualizzato il suo peso. Premere **Function** per memorizzare il peso, la spia "Accum" lampeggia e sul display viene visualizzato il peso totale.
5. Rimuovere il primo articolo e aggiungere il successivo. La bilancia visualizzerà il suo peso. Premere **Function** per memorizzare il peso. La spia "Accum" lampeggia e verrà visualizzato il nuovo peso totale.
6. Ripetere la fase 5 per tutti gli articoli da aggiungere. Nota: mentre il display indica zero, premere **Function** per visualizzare il numero corrente totale di campioni e il peso totale.
7. Per eliminare il totale memorizzato, tenere premuto **Mode** fino a quando non viene visualizzato [**ACCUM**]. Premere **Yes** quando viene visualizzato [**CLr.Acc**].

3.6 Modalità di controllo peso

Questa modalità stabilisce i limiti superiore e inferiore di peso per le procedure di controllo porzione.

1. Tenere premuto **Mode** fino a quando non viene visualizzato [**CHECK**] (Controllo). Viene quindi visualizzato [**CLr.rEF**] (eliminare riferimenti).
2. Premere **No** per utilizzare limiti del peso di riferimento memorizzati e passare alla fase 5. Nota: premere **Function** per visualizzare i limiti superiore e inferiore del peso di riferimento.
3. Premere **Yes** per stabilire nuovi valori di riferimento. Sulla bilancia viene visualizzato [**SEt. Lo**]. Premere **Yes** per visualizzare il valore del limite "Inferiore". Premere **Yes** per accettare o **No** per modificare il valore del limite "Inferiore". Viene quindi visualizzato il valore memorizzato con la prima cifra evidenziata [**000.000** kg]. Premere ripetutamente **No** fino a quando non viene visualizzato il numero desiderato. Premere **Yes** per accettare ed evidenziare la cifra successiva. Ripetere fino a quando tutte le cifre non sono corrette. Premere **Yes** per accettare il valore del limite "Inferiore", viene visualizzato [**SEt. Hi**].
4. Ripetere la stessa procedura per accettare o modificare il valore "superiore".
5. Sistemare il materiale campione sul piatto. La spia "Accept" (Accetta) indica che il peso campione rientra nella gamma accettabile.
6. Per eliminare i valori di riferimento memorizzati, tenere premuto **Mode** fino a quando non viene visualizzato [**CHECK**]. Premere **Yes** quando viene visualizzato [**CLr.rEF**].

4. IMPOSTAZIONI

Il menu User (Utente) consente di personalizzare le impostazioni della bilancia.

Nota: se sono installate le opzioni di interfaccia possono essere disponibili altri sottomenu. Per informazioni relative alle altre impostazioni, consultare il manuale dell'interfaccia utente.

4.1 Navigazione nei menu

Menu User (Utente):

Sottomenu:	.C.a.l.	.S.e.t.u.p.	.M.o.d.e.	.U.n.i.t.	.E.n.d.
Voci del menu:	Span Lin	A-off Disply Bright IR.LEFT IR.RGHT	Count Percnt Hold Accum Check End	ct, g, kg, grn, lb, oz, lb:oz, ozt, N, dwt, thk, tsg, ttw, tola, tical End	
	End	End	End	End	

Tenere premuto Menu fino a quando non viene visualizzato [MENU] (Menu). Quando viene rilasciato, verrà visualizzato il primo sottomenu, [.C.A.L.] (Cal).

Premere **Yes** per accedere al menu visualizzato, oppure **No** per avanzare al successivo.

Se si seleziona un sottomenu viene visualizzata la prima voce del menu. Premere **Yes** per visualizzare l'impostazione della voce del menu o **No** per avanzare alla voce successiva del menu.

Durante la visualizzazione delle impostazioni, premere **Yes** per accettarle o **No** per modificarle.

Quando viene visualizzato [End], premere **Yes** per tornare al sottomenu successivo o **No** per tornare alla prima voce del menu corrente.

4.2 Sottomenu Cal (Regolazione)

- Intervallo [SPAN] (yes, no) - Avvia la procedura di regolazione a intervallo (zero e intervallo). La regolazione a intervallo è importante alla prima configurazione della bilancia.
- Lin [Lin] (yes, no) - Avvia la procedura di regolazione lineare (zero, a punto centrale e a intervallo).

4.3 Sottomenu Setup (Configurazione)

I display LCD retroilluminato e LED (rosso) prevedono diverse voci di menu o impostazioni, a seconda delle funzionalità.

- Spegnimento automatico [A-OFF] (on, off) - Quando Auto Off (Spegnimento automatico) è impostato a "on" la bilancia si spegne automaticamente se rimane inattiva per 5 minuti. Lo spegnimento automatico è utilizzato per il risparmio energetico della batteria.
- Display [dISPLY] (on, auto, dim (LED), off (LCD)) - Questa impostazione controlla la retroilluminazione dell'LCD o le cifre del LED; acceso costante, spegnimenti automatico dopo 5 secondi di inattività della bilancia, diminuzione della luminosità del LED dopo 60 di inattività della bilancia o retroilluminazione dell'LCD sempre spenta.
- Luminosità [brIGHt] (hi, mid, low) - Questa impostazione controlla la luminosità del display LED. Nei modelli LCD questa voce non è presente.
- Sensore IR sinistro [IR.LEFT] / destra [IR.RIGHt] (Off, Tare, Function, Print, Zero, Display) - Queste impostazioni determinano il ruolo dei sensori IR. "Zero", "Print", "Function" o "Tare" consentono al sensore IR di agire come il tasto pertinente. "Display" attiva il display se è impostato Display-Auto. "Off" disabilita il sensore.

4.4 Menu Mode (Modalità)

Questo sottomenu attiva le modalità, che saranno disponibili tramite il pulsante Mode. La modalità di peso è sempre attiva.

- Conteggio parti [**COUNT**] (on, off) - Impostare su on affinché la modalità sia attiva.
- Percentuale [**PERCENT**] (on, off) - Impostare su on affinché la modalità sia attiva.
- Hold [**HOLD**] (on, off) - Impostare su on affinché la modalità sia attiva.
- Accumulazione [**ACCUM**] (on, off) - Impostare su on affinché la modalità sia attiva.
- Check Weigh [**CHECK**] (on, off) - Impostare su on affinché la modalità sia attiva.

4.5 Menu Unit (Unità di misura)

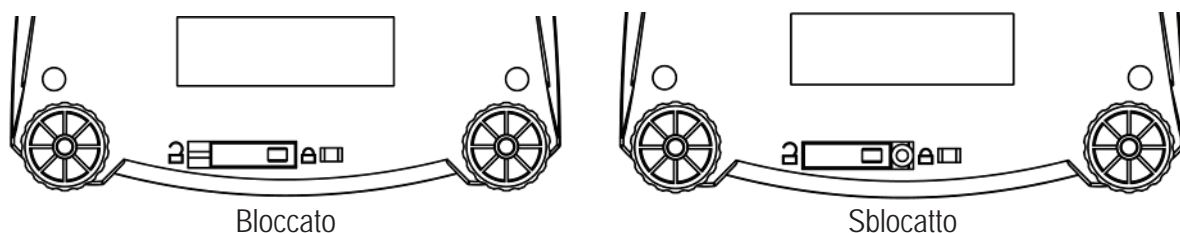
Questo sottomenu attiva le unità di misura, che saranno disponibili tramite il pulsante Units. Le unità di misura nel menu vanno impostate a "on" affinché siano attive. Le unità oncia (oz) e libbra:onzia (lb:oz) prevedono l'opzione dei risultati decimali [**DEC**] o in frazione [**FRACTION**]. A causa dei requisiti diversi delle agenzie l'unità grano ha due icone opzionali per la visualizzazione, gr o grn.

Nota: Le unità di misura e le applicazioni disponibili variano in base al modello e ai regolamenti locali.

4.6 Sigillare l'accesso alle impostazioni della bilancia

L'interruttore di blocco Menu, limita le modifiche ai seguenti menu: CAL, SETUP, MODE e UNIT.

L'interruttore di blocco, per i modelli Approvati CE, può impostare alcune funzioni della bilancia, così come previsto dalla normativa. L'interruttore può essere bloccato tramite sigilli in adesivo autodistruggente, sigilli a filo o fermi in plastica.



5. MANUTENZIONE

5.1 Individuazione guasti

La tabella seguente elenca alcuni problemi comuni, le loro cause possibili e le varie soluzioni.

Se il problema persiste, contattare OHAUS o un rivenditore autorizzato.

Sintomo	Causa possibile	Soluzione
Impossibile accendere la bilancia	Bilancia non alimentata	Verificare connessioni e tensione
Scarsa precisione	Taratura impropria Ambiente non stabile	Eseguire taratura Spostare la bilancia in una posizione adatta
Impossibile regolare	Ambiente non stabile Pesi di regolazione non corretti	Spostare la bilancia in una posizione adatta Utilizzare un peso di regolazione corretto
Impossibile accedere alla modalità	Modalità non attivata	Accedere al menu e attivare la modalità
Impossibile accedere all'unità	Unità non abilitata	Accedere al menu e abilitare l'unità

Lo rEF	Peso di riferimento troppo basso	Aumentare il peso di riferimento.
rEF Err	Conteggio parti- peso campione < 1d.	Visualizza l'errore - esce dalla modalità o accede a [CLr.APU].
Err 3.0 CAL	Peso di regolazione non corretto	Per i pesi corretti, consultare la sezione 2.2.5.
Err 4.4 Full	Il buffer RS232 è pieno	Attivare la sincronizzazione, consultare il manuale dell'interfaccia utente.
Err 8.1 ~LoAd~	Intervallo zero all'accensione superato	Togliere gli articoli dal piatto, verificare l'impostazione del blocco di spedizione
Err 8.2 ~LoAd~	Intervallo zero all'accensione non raggiunto	Installare il piatto, verificare l'impostazione del blocco di spedizione
Err 8.3 ~LoAd~	Sovraccarico (>cap+9e)	Il carico supera la capacità massima della bilancia
Err 8.4 ~LoAd~	Sottocarico	Lettura inferiore all'intervallo minimo, riposizionare il piatto.
Err 8.6 999999	Valore visualizzato >999999	Il risultato supera la capacità del display
Err 9 dAtA	Errore dati interno.	Contattare la OHAUS o un assistente autorizzato
Err 13 r7Er7	Scrittura su EEPROM non riuscita.	Contattare la OHAUS o un assistente autorizzato
Err 53 ESu77	Dati checksum non validi	Contattare la OHAUS o un assistente autorizzato

5.2 Informazioni relative all'assistenza

Se la sezione Individuazione guasti non risolve o non descrive il problema incontrato, contattare l'assistenza tecnica autorizzata OHAUS. Per l'assistenza negli Stati Uniti, chiamare il numero verde 800-526-0659 tra le 8.00 e le 17.00 EST (Eastern Standard Time, ora della costa orientale degli Stati Uniti). Il personale specializzato addetto alla manutenzione sarà disponibile per l'assistenza. Fuori dagli Stati Uniti, consultare il nostro sito Web, **www.OHAUS.com**, per individuare l'ufficio OHAUS più vicino.

5.3 Accessori

Kit batteria ricaricabile	83032106 (NVL, NVT)		
Kit interfaccia RS232	83032107 (NV, NVL, NVT)		
Kit interfaccia USB	83032108 (NV, NVL, NVT)		
Kit interfaccia Ethernet	83032109 (NV, NVL, NVT)		
Capottina di protezione	83032223 (NV)	83032222 (NVL)	83032221 (NVT)
Valigetta rigida per il trasporto Stampanti e Cavi	83032226 (NV)	83032225 (NVL)	83032224 (NVT)
	Contatta OHAUS		

6. DATI TECNICI

I dati tecnici sono validi per le seguenti condizioni ambientali:

Temperatura ambiente: 10-40 °C, modelli approvati (M) 0-40 °C.

Umidità relativa: 20-85% di umidità relativa, senza condensa

Altitudine s.l.m.: fino a 4.000 m

Operabilità: viene assicurata a temperature ambiente comprese tra 0 e 40 °C

Alimentazione elettrica: Adattatore CA da 12 VCC 420 mA, 4 batterie o batteria ricaricabile

Protezione: polvere e acqua

Grado di inquinamento: 2

Categoria d'installazione: Classe III

EMC: fare riferimento alla dichiarazione di conformità

6.1 Specifiche tecniche

Specifiche tipiche:

Tempo di stabilizzazione	≤1 secondi
Campo di tara	A capacità per sottrazione
Modalità di applicazione	peso, percentuale, conteggio parti, check weigh, accumulazione, hold
Unità di pesatura	Non approvati: ct, g, kg, grn, lb, oz, lb:oz, ozt, N, dwt, tael (3), tola, tical M modellos: g, kg, ct N modellos: g, kg, ct, lb, oz, ozt, dwt, grn
Alimentazione di rete	Adattatore CA (in dotazione)- 12 VCC o 12 VCA, 420 mA
Alimentazione a batteria	NV: 4 batterie "AA" (LR6) (non fornite) NVL, NVT: 4 batterie "C" (LR14) (non fornite), o batteria ricaricabile opzionale
Regolazione	Digitale con peso esterno
Display LCD	LCD con LED bianco retroilluminato, a sei cifre, sette segmenti
Display LED	LED a 6 cifre, 7 segmenti
Dimensioni del display	cifre da 20 mm
Tastierino	Mascherina a 4 pulsanti più due sensori IR programmabili
Grado di protezione	IP43 (NVL e NVT modelli)
Dimensioni del piatto (L x P)	NV: 190 mm x 138 mm NV212: Ø120mm NVL: 194 mm x 203 mm NVT: 230 mm x 174 mm
Peso netto	NV: 1,0 kg / 2,2 lb NVL: 1,5 kg / 3,3 lb NVT: 1,5 kg / 3,3 lb
Peso di spedizione	NV: 1,4 kg / 3,1 lb NVL: 2,3 kg / 5,1 lb NVT: 2,3 kg / 5,1 lb

Nota 1: /1 e /3 modelli aggiungere 0.5kg

Modelli non approvati

Modello ^{1,2}	Capacità	Leggibilità (d)	Ripetibilità	Linearità	Massa di taratura dell'intervallo di misura richiesto	Massa di taratura di linearità
NV212	210g	0,01g	1d	±2d	200g	100g, 200g
NV211*	210g	0.1g	1d	±2d	200g	100g, 200g
NV511	510g	0,1g	1d	±2d	300g	300g, 500g
NV1101	1100g	0,1g	1d	±2d	500g	500g, 1000g
NV2101	2100g	0,1g	1d	±2d	1kg	1kg, 2kg
NV4101	4100g	0,2g	1d	±2d	2kg	2kg, 4kg

MV5101	5100g	0,5g	1d	±2d	3kg	3kg, 5kg
NV4000*	4000g	1g	1d	±2d	2kg	2kg, 4kg
NVL511	510g	0,1g	1d	±2d	300g	300g, 500g
NVL1101	1100g	0,1g	1d	±2d	500g	500g, 1000g
NVL2101	2100g	0,1g	1d	±2d	1kg	1kg, 2kg
NVL5101	5100g	0,5g	1d	±2d	3kg	3kg, 5kg
NVL10000	10000g	1g	1d	±2d	5kg	5kg, 10kg
NVL20000	20000g	1g	1d	±2d	10kg	10kg, 20kg
NVT1601	1600g	0,1g	1d	±2d	1kg	1kg, 1,5kg
NVT3201	3200g	0,2g	1d	±2d	2kg	2kg, 3kg
NVT6401	6400g	0,5g	1d	±2d	5kg	3kg, 6kg
NVT10001¹	10000g	0,5g	1d	±2d	10kg	5kg, 10kg
NVT16000¹	16000g	1g	1d	±2d	10kg	10kg, 15kg

Nota 1: /1 = Batteria opzionale ricaricabile installata in fabbrica

/2 = Display LED

/3 = Display LED con batteria opzionale ricaricabile installata in fabbrica

Nota 2: *: disponibile solo in alcuni paesi.

Modelli approvati

Modello ^{1,2}	Max=	e=	Classe di approvazione	Massa di taratura dell'intervallo di misura richiesto	Massa di taratura di linearità
NV311	310g	0,1g	III	200g	200g, 300g
NV3100	3100g	1g	III	2kg	2kg, 3kg
NVT1601	1600g	0,5g	III	1kg	1kg, 1,5kg
NVT3200	3200g	1g	III	2kg	2kg, 3kg
NVT6400	6400g	2g	III	5kg	3kg, 6kg
NVT16000	16000g	5g	III	10kg	10kg, 15kg

Nota 1: M = Omologazione CE

N = certificazione NTEP e approvazione standard di misurazione canadesi

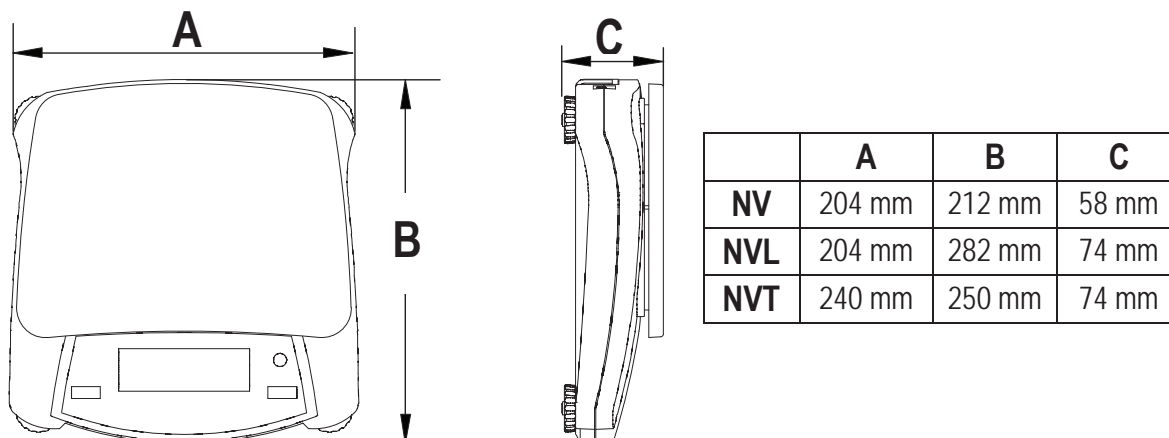
Nota 2: /1 = Batteria opzionale ricaricabile installata in fabbrica

/2 = Display LED

/3 = Display LED con batteria opzionale ricaricabile installata in fabbrica



Esempio: NVT3200M/3

6.2 Disegni tecnici



6.3 Conformità

La conformità ai seguenti campioni è indicata dal contrassegno corrispondente sul prodotto

Marchio	Standard
	Il prodotto è conforme alla Direttiva Compatibilità Elettromagnetica (EMC) 2004/108/CE, alla Direttiva Bassa Tensione 2006/95/CE e alla Direttiva per gli strumenti di pesa non automatici 2009/23/CE. La Dichiarazione di Conformità completa è disponibile online sul sito Web www.OHAUS.com .
	AS/NZS4251.1, AS/NZS4252.1

Nota importante per bilance approvate nei paesi UE



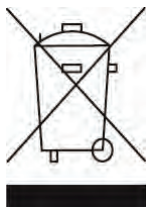
Le bilance verificate in fabbrica portano questo contrassegno sull'etichetta dell'imballo e con il sigillo 'M' su stando verde sulla targhetta metrological possono essere messe in uso immediatamente.



Le bilance che sono verificate in due fasi, portano questo contrassegno sull'etichetta dell'imballo e non portano il sigillo "M" sulla targhetta metrological. La seconda fase della verifica deve essere eseguita dal servizio assistenza Dini Argeo s.r.l. autorizzato, oppure dalla autorità competente.

La prima fase della verifica è stata eseguita dal produttore e comprende tutte le prove previste dalla norma EN 45501-8.2.2.

Se la durata di validità della verifica è limitata in accordo con le prescrizioni nazionali vigenti nei singoli paesi, l'utilizzatore stesso di una bilancia di tale tipo sarà responsabile dell'esecuzione, entro le date di scadenza previste, delle verifiche periodiche.

Smaltimento

In conformità a quanto stabilito dalla Direttiva Europea 2002/96/CE in materia di apparecchi elettrici ed elettronici (RAEE), questo strumento non può essere smaltito come i normali rifiuti. Tale presupposto resta valido anche per i Paesi al di fuori dei confini della UE, conformemente alle norme nazionali in vigore.

La direttiva sulle batterie 2006/66/EC introduce nuovi requisiti, a partire da settembre 2008, sulla rimozione delle batterie da apparecchiature in disuso nei paesi membri dell'Unione europea. Per conformità alla direttiva, l'apparecchio è stato progettato per una rimozione sicura delle batterie al termine della vita utile da effettuarsi presso una struttura specializzata nel trattamento di rifiuti.

Si prega quindi di smaltire questo prodotto separatamente e in modo specifico secondo le disposizioni locali relative alle apparecchiature elettriche ed elettroniche.

Per qualsiasi chiarimento, rivolgersi agli enti preposti o al rivenditore dell'apparecchiatura stessa.

In caso di cessione dello strumento (per es. per ulteriore utilizzo privato o aziendale/industriale), si prega di comunicare anche questa disposizione.

Le istruzioni relative allo smaltimento in Europa sono disponibili online sul sito Web www.ohaus.com. Selezionare el paese per eseguire la ricerca per "WEEE".

Si ringrazia per il contributo alla tutela dell'ambiente.

Registrazione ISO 9001

Nel 1994, OHAUS Corporation, USA, ha ricevuto il certificato di registrazione ISO 9001 da Bureau Veritus Quality International (BVQI), come conferma che il sistema di gestione della qualità OHAUS risponde alle caratteristiche standard di ISO 9001. Il 15 Maggio 2003, OHAUS Corporation, USA, è stata reregistrata per la normativa ISO 9001:2000.

GARANZIA LIMITATA

I prodotti OHAUS sono garantiti da difetti nel materiale e nell'esecuzione a partire dalla data di consegna per tutta la durata del periodo di garanzia. Durante il periodo di garanzia, la OHAUS riparerà o, a suo giudizio, sostituirà ogni componente che risulterà essere difettoso gratuitamente, purché il prodotto venga restituito, nolo anticipato, alla OHAUS.

Tale garanzia non si applica nel caso in cui il prodotto sia stato danneggiato accidentalmente o per cattivo utilizzo, esposto a materiale radioattivo o corrosivo, abbia del materiale estraneo al suo interno, o sia danneggiato come conseguenza dell'assistenza o di un intervento di modifica da parte di personale diverso da quello della OHAUS. Dietro debito invio della scheda di garanzia, il periodo di garanzia decorrerà a partire dalla data di spedizione al rivenditore autorizzato. Non viene data altra garanzia espressa o implicita da parte della OHAUS Corporation. La OHAUS Corporation non sarà ritenuta responsabile di qualsiasi danno conseguente.

Poiché la legislazione di garanzia è diversa da stato a stato e da paese a paese, si prega di contattare la OHAUS o il vostro rivenditore autorizzato OHAUS per ulteriori dettagli.

Registrazione del prodotto

Proteggi il tuo investimento. Registra il tuo prodotto con il vostro rivenditore locale OHAUS. Negli Stati Uniti e Canada a registrarsi online www.ohaus.com.



P/N 80252448 C © 2014 OHAUS Corporation, all rights reserved / todos los derechos reservados / tous droits réservés / Alle Rechte vorbehalten / tutti i diritti riservati.

Printed in China / Impreso en la China / Imprimé en Chine / Gedruckt in China / Stampato in Cina