



PAJ Series

**NTEP / MC
Certified Models**

**Instruction Manual
Manuel d'instruction**

1. INTRODUCTION

1.1 Safety Precautions

Please follow these safety precautions:

- Verify that the AC Adapter input voltage matches the local AC power supply.
- Use the balance only in dry locations.
- Do not operate the balance in hostile environments.
- Do not drop loads on the platform.
- Do not place the balance upside down on the platform or platform mounting cone.
- Service should be performed only by authorized personnel.

1.2 Controls



Button:	Functions:
Zero - On	Short Press: Turns balance on, sets display to zero
Off	Long Press: Turns balance off
Yes	Short press (Menu): Selects or accepts setting
Unit	Short Press: Steps through active units and modes
Menu	Long Press: Enters Menu
No	Short press (Menu): Steps through available settings
	Long press (Menu): Exit menu or abort out of menu item
Tare	Short Press: Performs Tare function
	Long Press: no function
Print	Short Press: Sends data
Cal	Long Press: Initiates Span Calibration

2. INSTALLATION

2.1 Package Contents

Gold Models

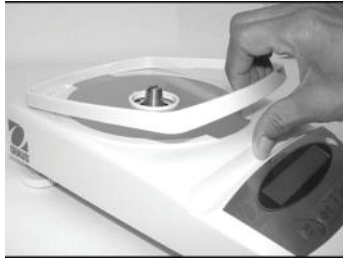
Instruction Manual
Power Adapter
Balance
Pan
Pan Support
Wind-Ring
Warranty Card

Carat Models

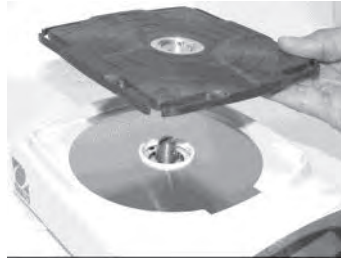
Instruction Manual
Power Adapter
Balance
Pan
Glass Doors and Panels
Gem Scoop (Carat models only)
Warranty Card

2.2 Install Components

Gold Models



1) Install Wind-Ring



2) Install Pan Support

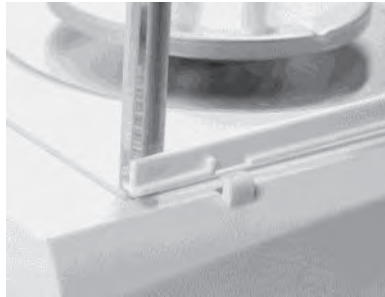


3) Install Pan

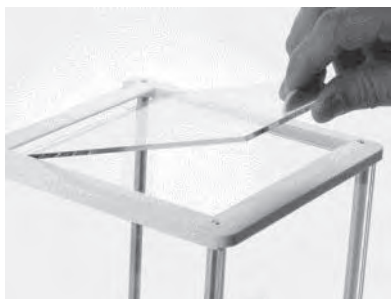
Carat Models



1) Install Side Doors - Insert fully into Top Frame then down over retainer.



2) Install Front and Rear Panels - Insert bottom edge in groove then press until locked.



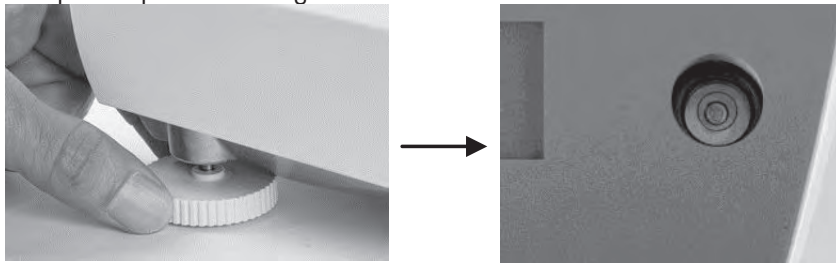
3) Install Top Door



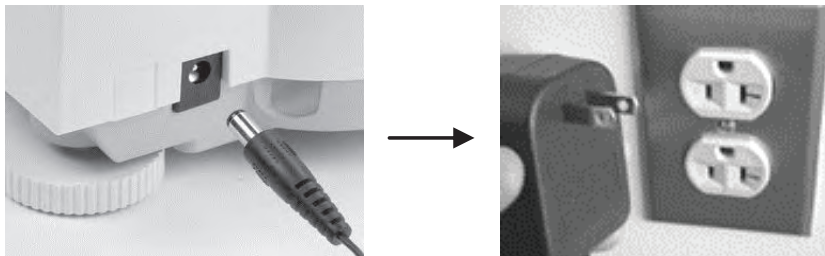
4) Install Pan

2.3 Level Balance

Level the balance on a firm, steady surface. Avoid locations with excessive air current, vibrations, heat sources or rapid temperature changes.



2.4 Connect Power



For use with CSA Certified (or equivalent approved) power source, which must have a limited circuit output.

2.5 Initial Calibration

Without InCal - Power on the balance by pressing **0/T**. Press and hold **Print/Cal** until [**CAL**] is displayed. The display flashes the calibration mass needed. To select the alternate calibration weight press **No**. Put the calibration mass on the pan. The display flashes [**busy**], then [**CLEAR PRN**]. Remove the mass. When calibration is complete, [**done**] is displayed.

InCal - Press and hold **Print/Cal** until [**CAL**] is displayed. The display flashes [**busy**], when calibration is complete, [**done**] is displayed

Note: Calibrations should be performed after a warm up time of 60 minutes.

3. OPERATION

Count, Percentage or specific units of measure must be activated in the MODE or UNIT menus if they are not initially available.

3.1 Weighing Mode

Repeatedly press **Unit** until the desired unit icon is displayed.

Press **Zero** to zero the balance and then place objects to be weighed on the pan.

Press **Tare** to zero the weight of a weighing container.

3.2 Count Mode - Use the Count mode to count parts of uniform weight.

To access Count Mode, press **Unit** until the display shows [**Count**].

Establish an Average Piece Weight (APW) - Each time a new type of part is to be counted, the nominal weight of one piece (APW) must be established using a small quantity of pieces.

With [**CLR.APLW**] displayed, press **No** to use the previously saved APW, or press **Yes** to establish a new APW.

The display indicates the number of pieces to be used to establish the new APW. If a different sample size is preferred, press **No** until the desired sample size is displayed (10, 20, 50 or 100). Put the specified number of pieces on the pan. Press **Yes** to accept new APW or **No** to abort.

Count - Place the quantity to be counted on the pan.

APW Optimization - Since the weight of each piece varies slightly, APW Optimization may be used to increase the accuracy of the count. The balance automatically recalculates the Average Piece Weight when the number of parts on the pan is less than three times the original sample size. The display shows [APW.OPT] each time the APW is optimized.

3.3 Percent Mode – Use this mode to measure the weight of a sample as a percentage of a reference weight.

To access the Percent Mode, press **Unit** until the display shows [PERCENT].

Establish a new Reference Weight - With Clear reference [CLEAR] displayed, Press **No** to use the previously saved Reference Weight. Press **Yes** to establish a new Reference Weight. Put the reference sample on the pan and press **Yes** to accept or **No** to abort.

Percent – Place the object(s) to be compared to the reference weight on the pan.

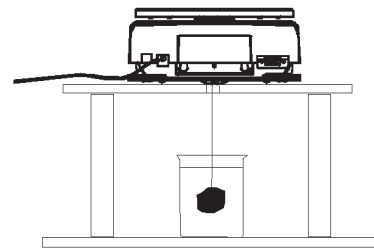
3.4 Weigh Below Feature



Remove Weigh Below Cover



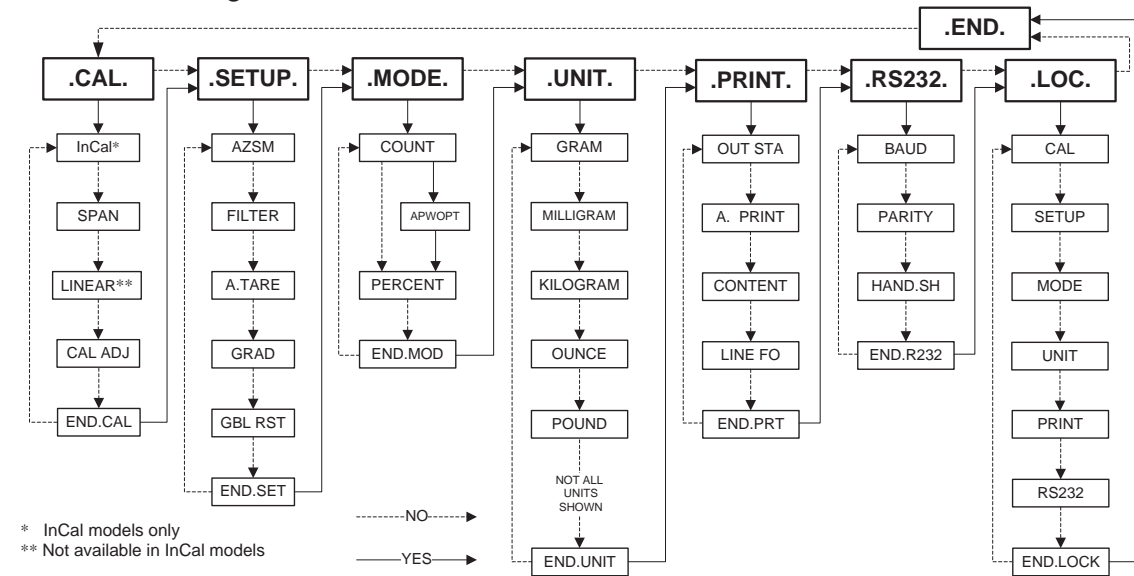
Attach wire or string to Hook



Suspend sample

4. SETTINGS

4.1 Menu Navigation



ENTER MENU - When the balance is on, press and hold **Unit/Menu** until [MENU] appears. Release the button and the Calibrate [.CAL.] menu will display.

MENU NAVIGATION - Select menus, menu items and settings through use of the **Yes** and **No** buttons. Solid arrows point to the content displayed when **Yes** is pressed, Dashed lines when **No** is pressed.

CHANGE SETTINGS - To select the displayed Setting, press **Yes**. To move to the next Setting, press **No**.

EXIT MENU - When [.END.] is displayed, press **Yes** to exit the menu function, or press **No** to return to the Cal menu. Note: Press and hold **No** at any time to exit quickly.

4.2 Calibration Menu [CAL.]

InCal or Span calibration should be performed daily and when the room temperature changes.

InCal [InCAL] calibrates the balance using an internal mass. (InCal models only)

Span Calibration [SPAN] uses two weight values: zero and a weight between 50% and 100% of the capacity of the balance.

Linearity Calibration [LIN] uses three weight values: zero, 50% of the capacity and full capacity. Generally this calibration is not required unless testing shows that the linearity error exceeds the linearity tolerance in the specification table. (Not available in InCal models.)

Calibration Adjust [CAL Adj] allows adjustment to the result of the internal calibration by ± 99 divisions. (InCal models only)

4.3 Setup Menu [SEtUP.]

Filter [F ILtEr] - Use the low setting (SET LO) when environmental disturbances are not present. Use the medium setting (SET MED) for normal environments. Use the high setting (SET HI) when vibrations or air currents are present.

Auto Tare [A-TArE] - The initial item placed on the balance is assumed to be a container so it is zeroed out. The next item is then weighed. When the pan is cleared the balance resets, waiting for a container. (SET OFF, SET ON). Local weights and measures authorities may require that Auto Tare be disabled.

Global Reset [Gbl rSEt] - Resets all settings to factory default values. (RESET)

4.4 Mode Menu [ModE.]

Count Mode [Count] - [SET ON, SET OFF]

Average Piece Weight (APW) Optimization [APW.OPT] - (SET ON, SET OFF)

4.5 Unit Menu [Un t.]

The Unit menu is used to enable or disable a specific unit. (SET ON, SET OFF) The unit is indicated by a small character next to Unit in the display (g = grams).

4.6 Print Menu [Pr int.]

Auto Print [A.Pr int] - Data will be continuously sent when [Cont int] is set. Interval [IntEr] sends data every 1 to 3600 seconds. When Stable [StAbLE] will send data when the balance detects a new stable reading. This can be a weight value only [LORd] or it can also include a stable zero [LZERo]. [OFF] disables automatic printing.

Content [ContEnt] - The content in the data transmission can be modified. Each of the following settings can be set on or off. Number Only [numbEr] will only send the numeric result. Balance ID [bAL. id] will add the Balance serial number for traceability purposes. Reference [rEFEr] will add reference information relevant to the current mode. GLP [GLP] will send additional items to allow proper documentation of laboratory results.

Line Format [L inE Fo] - Single line format [S inGLE] will put all the data in one line separating each output with a comma (,). Multi line format [mULtE .] will put each data output on a new line. Multi +4 [m+4LF] will add 4 line spaces between each output.

6.0 MAINTENANCE

6.1 Troubleshooting

Symptom	Possible Cause	Remedy
Cannot turn on	No power to balance	Verify connections and voltage
Poor accuracy	Improper calibration Unstable environment	Perform calibration Move balance to suitable location
Cannot calibrate	Unstable environment Incorrect calibration masses	Move the balance to suitable location Use correct calibration masses
Cannot access mode	Mode not enabled	Enter menu and enable mode
Cannot access unit	Units not enabled	Enter menu and enable units
Err 5	Average Piece Weight too small	Add additional samples
Err 7.0	Time out	
Err 8.1	Pan has load during power on	Remove weight from pan and re-zero
Err 8.2	Pan was removed prior to power on	Install pan and re-zero
Err 8.3	Weight on pan exceeds capacity	Remove weight from the pan
Err 8.4	Pan was removed during weighing	Re-install pan
Err 9.5	Factory calibration data corrupted	Contact the authorized dealer
Err 9.8	Factory calibration data corrupted	Perform calibration
Error 53	EEPROM Checksum error	Contact the authorized dealer
REF Err	Reference Weight is too small	Add additional samples
LOWrEF	Reference Weight is too low for accurate parts counting or percent weighing	Add additional samples or continue to weigh with less accurate results

6. Accessories

Security device	76288-01
Auxiliary Display	PAD7
Printer – Thermal	STP-103
Printer - Impact	CBM-910 or SRP275
Cable Kit - STP-103	80252581
Cable Kit - CBM-910	80252571
Data collection Software	SW12
Ohaus Collect	80500746

7. TECHNICAL DATA

Ambient conditions - The technical data is valid under the following ambient conditions:

Ambient temperature: 10°C to 30°C

Relative humidity: 15 % to 80 % at 31°C non-condensing, decreasing linearly to 50% at 40°C

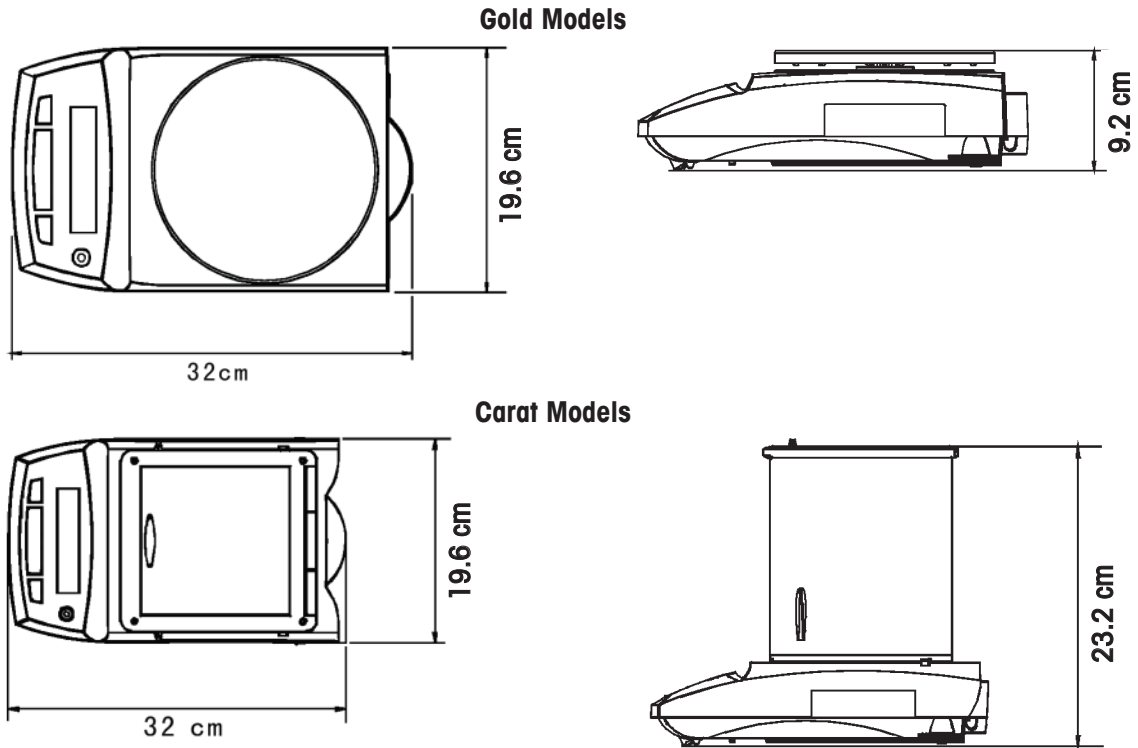
Height above sea level: Up to 2000 m

Operability is assured at ambient temperatures between 5°C and 40°C

Power - AC adapter, Balance power input 8-14.5 VAC, 50/60Hz 4VA or 8-20 VDC, 4W

Protection - Protected against dust and water, Pollution degree: 2, Installation category: Class II

7.1 Drawings



7.2 Specifications

External Calibration Models

Note: Incal models will have a "C" added to the model number. (ex. PAJ2003CN)

MODEL	PAJ2003CN	PAJ812N PAJ812CN	PAJ2102N PAJ2102CN	PAJ3012N	PAJ4102N PAJ4102CN	PAJ4101N
Max	2050ct (410g)	810g	2100g	3100g	4100g	
Min	1ct	5g				
d=	0.005ct	0.01g		0.01g	0.01g	0.1g
e=	0.05ct	0.1g				
Approval	Class II					
Tare Range	To capacity by subtraction					
Stabilization	3 Seconds					
Span cal mass	200g or 400g	500g or 800g	1000g or 2000g	2000g or 3000g	2000g or 4000g	
Lin. cal masses	200g, 400g	500g, 800g	1000g, 2000g	2000g, 3000g	2000g, 4000g	
Pan Size	∅4.7in/∅12cm	∅7.1in / ∅18cm (PAJ models 6.1 x 7.1in / 16.8 x 18cm)				
Net Weight	10.1 lb / 4.6kg	9.9 lb / 4.5 kg				
Shipping Weight	16.5 lb / 7.5 kg	13.9 lb / 6.3 kg				

InCal Models

MODEL	PAJ603CN	PAJ1003CN
Max	625ct (125g)	1050ct (210g)
Min	0.2ct	
d=	0.001ct	
e=	0.01ct	
Approval	Class II	
Tare Range	To capacity by subtraction	
Stabilization	3 Seconds	
Span cal mass	50g or 100g	100g or 200g
Lin. cal masses	50g, 100g	200g, 500g
Pan dia.	Ø3.5in / Ø9cm	
Net Weight	10.1 lb / 4.6kg	
Shipping Weight	16.5 lb / 7.5 kg	

7.3 Communication

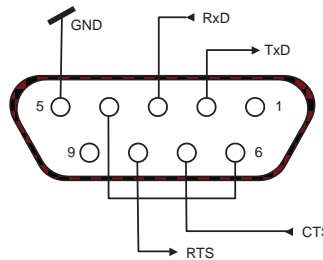
7.3.1 Commands

The RS232 Interface allows a computer to control the balance as well as receiving data such as the displayed weight. The balance will return "ES" for invalid commands.


Command	Function
IP	Immediate Print of displayed weight.
P	Print displayed weight (uses stable on/off menu setting).
CP	Continuous Print.
xP	Interval Print x = Print Interval (1-3600 sec)
T	Same as pressing Zero Key.
ON	Turns balance ON.
OFF	Turns balance OFF.
PSN	Show Serial Number.
PV	Version: Print product name, software revision and LFT ON (if LFT is set ON).
PU	Print current mode/unit
x#	Set PC ref wt (x) in grams
P#	Print PC ref wt
x%	Set % ref wt (x) in grams
P%	Print % ref wt

7.3.2 RS232 (DB9) Pin Connections

- Pin 2: Balance transmit line (TxD)
- Pin 3: Balance receive line (RxD)
- Pin 5: Ground signal (GND)
- Pin 7: Clear to send (hardware handshake) (CTS)
- Pin 8: Request to send (hardware handshake) (RTS)



7.4 Compliance

Compliance to the following standards is indicated by the corresponding mark on the product.	
Mark	Standard
	CAN/CSA-C22.2 No. 61010-1-04; UL Std. No. 61010A-1

FCC Note

This equipment has been tested and found to comply with the limits for a Class A digital device, pursuant to Part 15 of the FCC Rules. These limits are designed to provide reasonable protection against harmful interference when the equipment is operated in a commercial environment. This equipment generates, uses, and can radiate radio frequency energy and, if not installed and used in accordance with the instruction manual, may cause harmful interference to radio communications. Operation of this equipment in a residential area is likely to cause harmful interference in which case the user will be required to correct the interference at his own expense.

Industry Canada Note

This Class A digital apparatus complies with Canadian ICES-003.
Cet appareil numérique de la classe A est conforme à la norme NMB-003 du Canada.

ISO 9001 Registration

In 1994, Ohaus Corporation, USA, was awarded a certificate of registration to ISO 9001 by Bureau Veritas Quality International (BVQI), confirming that the Ohaus quality management system is compliant with the ISO 9001 standard's requirements. On May 15, 2003, Ohaus Corporation, USA, was re-registered to the ISO 9001:2000 standard.

LIMITED WARRANTY

Ohaus products are warranted against defects in materials and workmanship from the date of delivery through the duration of the warranty period. During the warranty period Ohaus will repair, or, at its option, replace any component(s) that proves to be defective at no charge, provided that the product is returned, freight prepaid, to Ohaus.

This warranty does not apply if the product has been damaged by accident or misuse, exposed to radioactive or corrosive materials, has foreign material penetrating to the inside of the product, or as a result of service or modification by other than Ohaus. In lieu of a properly returned warranty registration card, the warranty period shall begin on the date of shipment to the authorized dealer. No other express or implied warranty is given by Ohaus Corporation. Ohaus Corporation shall not be liable for any consequential damages.

As warranty legislation differs from state to state and country to country, please contact Ohaus or your local Ohaus dealer for further details.

1. INTRODUCTION

1.1 Consignes de sécurité

Prière de respecter ces consignes de sécurité.

- Vérifiez que la tension d'entrée de l'adaptateur CA correspond à l'alimentation CA locale.
- N'utilisez la balance que dans des endroits secs.
- N'utilisez pas la balance dans des environnements hostiles.
- Ne faites pas tomber de charge sur la plate-forme.
- Ne positionnez pas la balance à l'envers sur la plate-forme ou le cône de montage de la plate-forme.
- Les réparations doivent être exécutées exclusivement par un personnel autorisé.

1.2 Commandes



Bouton : Fonctions :

Zero - On	Appuyez rapidement:	Active la balance, règle l'affichage sur zéro.
Off	Appuyez longtemps:	Désactive la balance
Yes	Appuyez rapidement (Menu):	Sélectionne ou valide les paramètres
Unit	Appuyez rapidement:	Passe par les unités et les modes actifs
Menu	Appuyez longtemps:	Active Menu
No	Appuyez rapidement (Menu):	Passe par les paramètres disponibles
	Appuyez longtemps (Menu):	Permet de quitter le menu ou d'annuler une option du menu
Tare	Appuyez rapidement:	Effectuer opération tare
	Appuyez longtemps:	Aucune fonction
Print	Appuyez rapidement :	Envoie des données
Cal	Appuyez longtemps :	Lance le calibrage de portée

2. INSTALLATION

2.1 Contenu de l'emballage

Gold Modèles

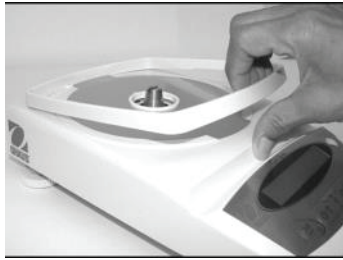
Guide de l'utilisateur
Adaptateur alimentation
Balance
Plate-forme
Support de plate-forme
Anneau de coupe-vent
Carte de garantie

Gold Modèles

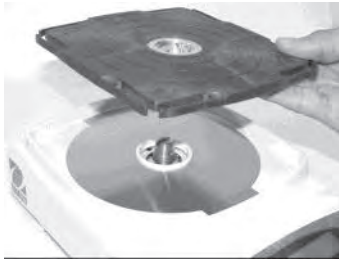
Guide de l'utilisateur
Adaptateur alimentation
Balance
Plate-forme
Portes en verre et panneaux
Plateau à carat (Carat modèles seulement)
Carte de garantie

2.2 Installation des composants

Gold modèles



1) Installez le anneau de coupe-vent



2) Installez le support de la plate-forme

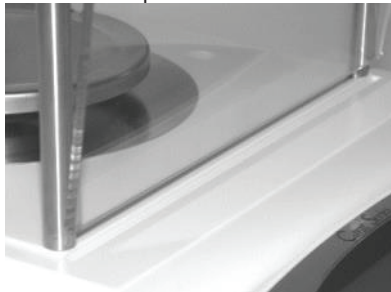
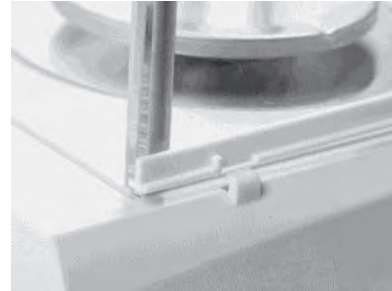


3) Installez la plate-forme

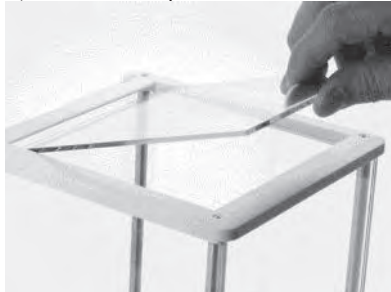
Carat Modèles



1) Installez les portes latérales – Introduisez entièrement dans le cadre supérieur et faites glisser vers le bas par-dessus le dispositif de retenue.



2) Installez les panneaux avant et arrière – Introduisez le bord inférieur dans la rainure et appuyez jusqu'au blocage.



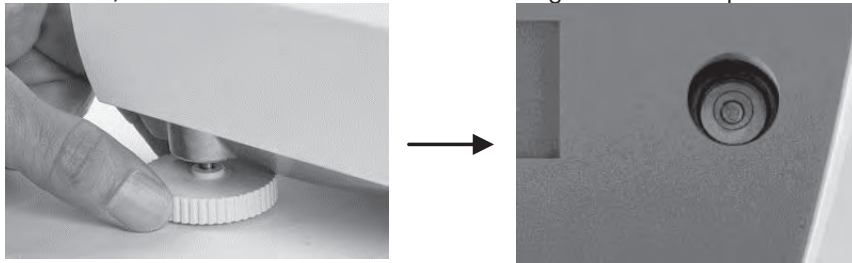
3) Installez la porte supérieure



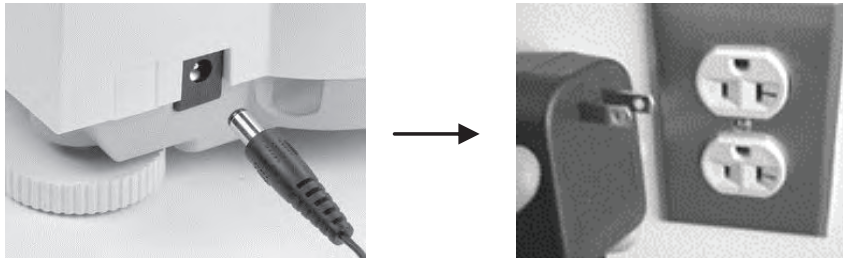
4) Installez la plate-forme

2.3 Mise à niveau de la balance

Mettez la balance à niveau sur une surface solide et stable. Évitez les emplacements avec courant d'air, vibrations, sources de chaleur excessifs ou changements de température brusques.



2.4 Branchement



À utiliser uniquement avec un bloc d'alimentation agréé CSA (ou équivalent) qui doit être muni d'une sortie de circuit

2.5 Calibrage initial

Sans InCal – Mettez la balance en marche en appuyant sur **O/T**. Appuyez sur **Print/Cal** que vous maintenez enfoncé jusqu'à ce que le message [**CAL**] s'affiche. La masse de calibrage requise clignote à l'écran. Pour sélectionner le poids du calibrage alternatif, appuyez sur **No**. Placez la masse de calibrage sur la plate-forme. Le message [**busy**] clignote à l'écran puis [**CLEAR PA**]. Enlevez la masse. Une fois le calibrage terminé, le message [**done**] s'affiche.

InCal – Appuyez sur **Print/Cal** que vous maintenez enfoncé jusqu'à ce que le message [**CAL**] s'affiche. Le message [**busy**] clignote. Une fois le calibrage terminé, le message [**done**] s'affiche.

Remarque : Effectuer les calibrages après avoir laissé la balance se réchauffer pendant 60 minutes.

3. OPÉRATION

Les options Count (Comptage) ou les unités de mesure spécifiques doivent être activées dans les menus MODE ou UNIT si elles ne sont pas disponibles.

3.1 Mode de pesée

Appuyez sur **Unit** plusieurs fois jusqu'à ce que l'icône de l'unité souhaitée s'affiche.

Appuyez sur **O/T** pour mettre à zéro la balance et placez ensuite les objets à peser sur la plate-forme.

3.2 Count Mode – Utilisez le mode de comptage pour compter les pièces d'un poids uniforme.

Pour accéder au mode de comptage, appuyez sur **Unit** que vous maintenez enfoncé jusqu'à ce que l'option [**Count**] s'affiche.

Average Piece Weight (APW) - Chaque fois qu'un nouveau type de pièce doit être compté, le poids nominal d'une pièce (poids moyen des pièces) doit être établi à l'aide d'une petite quantité de pièces.

Lorsque le message [**Clr.APW**] s'affiche, appuyez sur **No** pour utiliser l'APW enregistré précédemment ou sur **Yes** pour établir un nouvel APW. L'écran indique le nombre de pièces à utiliser pour établir le nouvel APW. Si vous préférez une autre taille d'échantillon, appuyez sur **No** jusqu'à ce que la taille d'échantillon souhaitée (5, 10, 20, 50 ou 100) s'affiche. Placez le nombre indiqué de pièces sur la plate-forme. Appuyez sur **Yes** pour

accepter le nouvel APW ou sur **No** pour annuler.

Count - Placez la quantité à compter sur la plate-forme.

APW Optimization - Dans la mesure où le poids de chacune des pièces varie légèrement, l'option APW Optimization peut être utilisée pour augmenter la précision du comptage. La balance recalcule automatiquement le poids moyen des pièces lorsque le nombre de pièces sur la plate-forme est moins que trois fois la taille de l'échantillon d'origine. Le message [**APW.OPT**] s'affiche chaque fois que APW est optimisé.

3.3 Mode Pourcentage - Utilisez ce mode pour mesurer le poids d'un échantillon en pourcentage d'un poids de référence.

Pour accéder au mode de pourcentage, appuyez sur l'unité jusqu'à ce que l'écran affiche [**PERCENT**].

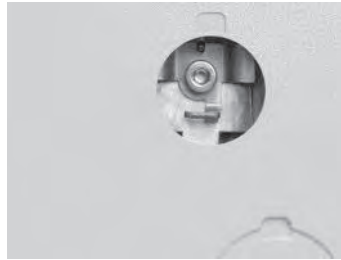
Établir un nouveau poids de référence - en faisant clairement référence [**CLREF**] affiché, appuyez sur **No** pour utiliser le poids de référence précédemment enregistré. Appuyez sur **Yes** pour établir une nouvelle référence Poids. Mettre l'échantillon de référence sur le plateau et appuyez sur **Yes** pour accepter ou **No** pas avorter.

Pour cent - Placer l'objet (s) à comparer au poids de référence sur le plateau.

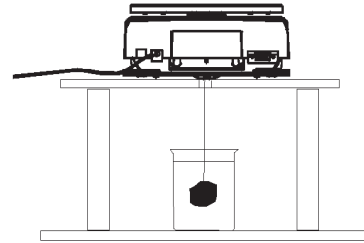
3.4 Pesée sous la balance



Enlevez le couvercle pour la pesée sous la balance



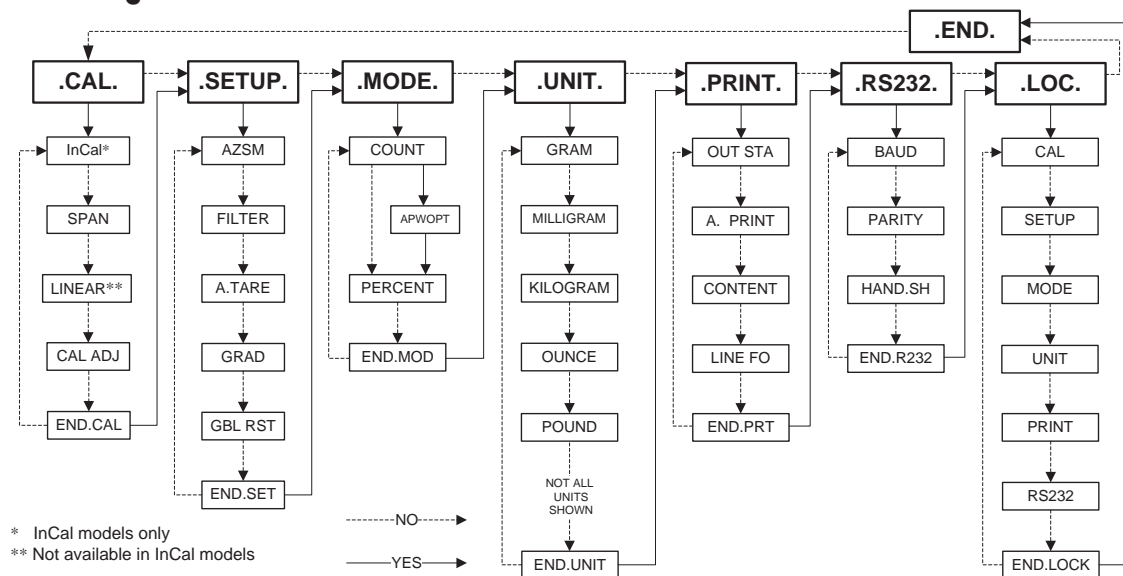
Attachez le fil ou la chaîne au crochet



Suspendez l'échantillon

4. PARAMÉTRAGE

4.1 Navigation dans le menu



ACTIVER LE MENU – Lorsque la balance est activée, appuyez sur **Unit/Menu** jusqu'à ce que [**MENU**] s'affiche à l'écran. Relâchez le bouton et le menu de calibration [**.CAL.**] s'affiche.

NAVIGATION DANS LE MENU – Sélectionnez les menus, les options de menu et les réglages via les boutons **Yes** et **No**.

Les flèches pleines pointent vers le contenu affiché lorsque vous appuyez sur **Yes** et les lignes pointillées lorsque vous appuyez sur **No**.

CHANGER LE PARAMÉTRAGE - Pour sélectionner le paramètre affiché, appuyez sur **Yes**. Pour passer au paramètre suivant, appuyez sur **No**.

QUITTER LE MENU - Lorsque le message [**End.**] s'affiche, appuyez sur **Yes** pour quitter la fonction du menu ou sur **No** pour revenir au menu de calibrage. Remarque : Appuyez sur **No** que vous maintenez enfoncé chaque fois que vous voulez quitter rapidement.

4.2 Menu de calibrage [**CAL.**]

Les fonctions InCal ou de calibrage de portée doivent être effectuées quotidiennement et lorsque la température ambiante change.

La fonction InCal [**InCAL**] permet d'étalonner la balance à l'aide d'une masse interne.

La fonction de calibrage de portée [**SPAN**] se sert de deux valeurs de poids^o: zéro et un poids entre 50 et 100 % de la capacité de la balance.

La fonction de calibrage de linéarité [**L IN**] se sert de trois valeurs de poids: zéro, 50% de la capacité et la capacité totale. Ce calibrage n'est en principe pas nécessaire à moins que le test n'indique que l'erreur de linéarité dépasse la tolérance de linéarité dans le tableau des spécifications. (Non disponible dans les modèles InCal)

Réglage de calibrage [**CAL Adj**] peut être utilisée pour régler le résultat d'un calibrage interne de ± 99 divisions. (InCal modèles seulement)

4.3 Menu de configuration [**SEtUP.**]

Filtre [**FILTER**] - Utilisez le paramètre bas (SET LOW) en l'absence de perturbations environnementales.

Utilisez le paramètre moyen (SET MED) pour des environnements normaux. Utilisez le paramètre élevé (SET HI) en présence de vibrations ou de courants d'air.

Tare automatique [**AutoTARE**] - L'article initial placé sur la balance est supposé être un conteneur et doit en conséquence être mis à zéro. Le poids de l'article suivant s'affiche ensuite. Une fois la plate-forme vidée, la balance est réinitialisée attendant un conteneur. (SET OFF, SET ON)

Réinitialisation globale [**Global rSt**] - Cette option permet de restaurer les valeurs par défaut. (NO, YES)

4.4 Menu Mode [**Mode.**]

Mode de comptage [**Count**] - [SET ON, SET OFF]

Optimisation du poids moyen des pièces (APW) [**APW.OP1**] - (SET ON, SET OFF)

4.5 Menu des unités [**Unit.**]

Le menu des unités permet d'activer ou de désactiver une unité spécifique. (SET ON, SET OFF) L'unité est indiquée par un petit caractère adjacent à Unit sur l'écran (g = grams).

4.6 Menu d'impression [**Print.**]

Impression automatique [**AutoPrint**] - Les données seront envoyées en continu lorsque l'option [**Cont Int**] est définie. L'option [**IntERR**] envoie des données toutes les 1 à 3600 secondes. Lorsque l'option [**StABLE**] est activée, les données sont envoyées chaque fois que la balance détecte une nouvelle lecture stable. Cela peut être une valeur de poids uniquement [**Load**] ou elle peut également inclure un zéro stable [**Zero**]. [**OFF**] permet de désactiver l'impression automatique.

Contenu [**Content**] - Le contenu dans la transmission des données peut être modifié. Vous pouvez activer ou désactiver les paramètres suivants. Chiffre uniquement [**NumBER**] envoie un résultat numérique uniquement.

ID balance [**bal. id**] ajoute le numéro de série de la balance aux fins de traçabilité. La référence [**REFER**] ajoute des informations de référence pertinentes au mode actuel. GLP [**GLP**] envoie des articles supplémentaires pour permettre une documentation correcte des résultats de laboratoire.

Format de ligne [**Line Fo**] - Le format de ligne unique [**SINGLE**] place les données sur une ligne séparant chacune des sorties par une virgule (,). Le format de ligne multiple [**MULTI**] place chaque sortie des données sur une nouvelle ligne. Multi +4 [**MULTI**] ajoute quatre (4) espaces de ligne entre les sorties.

6.0 MAINTENANCE

6.1 Dépannage

Symptôme	Cause possible	Solution
Mise sous tension impossible	La balance n'est pas alimentée	Vérifier la connexion et la tension.
Précision de qualité médiocre	Calibrage incorrect Environnement instable	Effectuer le calibrage Déplacer la balance vers un emplacement approprié
Impossible de calibrer	Environnement instable Poids de calibrage incorrect.	Déplacer la balance vers l'emplacement approprié Utiliser le poids de calibrage approprié
Impossible d'accéder au mode	Mode non activé	Activer le menu, puis le mode
Impossible d'accéder à l'unité	Unités non activées	Activer le menu, puis les unités
Err 5	Poids moyen des pièces trop petit.	Ajouter d'autres échantillons
Err 7.0	Délais dépassés	
Err 8.1	Une charge est sur la plate-forme pendant la mise sous tension	Enlever le poids de la plate-forme et remettre la balance à zéro.
Err 8.2	La plate-forme a été enlevée avant la mise en marche	Installer la plate-forme et remettre la balance à zéro.
Err 8.3	Le poids sur la plate-forme dépasse la capacité	Enlever le poids de la plate-forme
Err 8.4	La plate-forme a été enlevée pendant un pesage	Réinstaller la plate-forme
Err 9.5	Données de calibrage par défaut corrompues	Contacteur le revendeur agréé
Err 9.8	Données de calibrage par défaut corrompues	Effectuer le calibrage
Err 53	Erreur de somme de contrôle EEPROM	Contacteur le revendeur agréé
REF Err	Poids de référence trop petit	Ajouter d'autres échantillons
LOWrEF	Le poids de référence est trop petit pour un comptage précis des pièces ou un pesage en pourcentage	Ajouter d'autres échantillons ou continuez à peser en risquant de compromettre la précision des résultats.

6.3 Accessoires

Dispositif de sécurité	76288-01
Affichage auxiliaire	PAD7
Imprimante - Thermique	STP-103
Imprimante - Impact	CBM-910 ou SRP275
Câble, STP-103	80252581
Câble, CMB-910	80252571
Logiciel de recueil des données	SW12
Ohaus Collect	80500746

7. DONNÉES TECHNIQUES

Conditions ambiantes - Les données techniques sont valides dans les conditions ambiantes suivantes:

Température ambiante : entre 10 et 30 °C

Humidité relative : 15 à 80% à 31°C sans condensation, réduction linéaire jusqu'à 50% à 40°C

Hauteur au-dessus du niveau de la mer : Jusqu'à 2 000 m

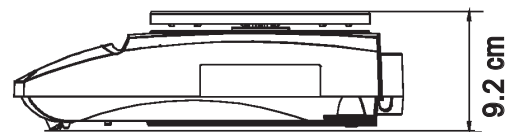
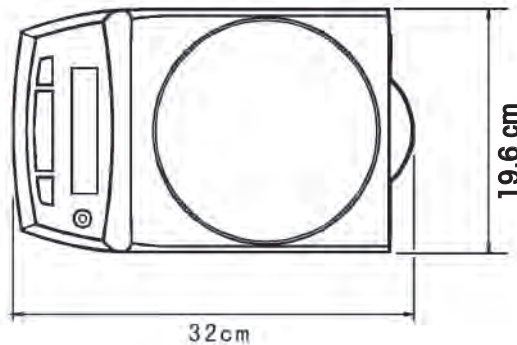
L'exploitation est garantie à des températures ambiantes entre 5 et 40 °C

Alimentation – Adaptateur CA, entrée d'alimentation 8-14,5 V CA, 50/60Hz 4 VA ou 8-20 V CC, 4W

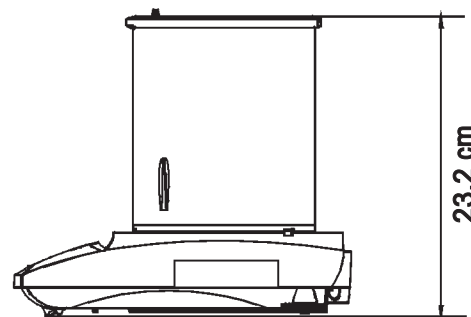
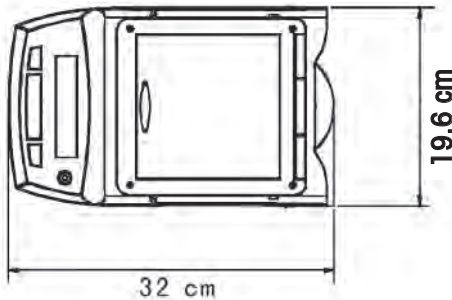
Protection - Protégé contre la poussière et l'eau, Degrés de pollution : 2, Catégorie d'installation : Classe II

7.1 Schémas

Gold Modèles



Carat Modèles



7.2 Spécifications

Modèles avec calibrage externe

Remarque: Incal modèles auront un « C » ajouté au numéro de modèle. (ex. PAJ2003CN)

MODÈLE	PAJ2003CN	PAJ812N PAJ812CN	PAJ2102N PAJ2102CN	PAJ3012N	PAJ4102N PAJ4102CN	PAJ4101N
Max	2050ct (410g)	810g	2100g	3100g	4100g	
Min	1ct		5g			
d=	0.005ct	0.01g		0.01g	0.01g	0.1g
e=	0.05ct	0.1g				
Approbation	Class II					
Plage de tare	À la capacité par soustraction					
Stabilisation	3 Seconds					
Masse cal. portée	200g or 400g	500g or 800g	1000g or 2000g	2000g or 3000g	2000g or 4000g	
Masses cal. lin.	200g, 400g	500g, 800g	1000g, 2000g	2000g, 3000g	2000g, 4000g	
Plate-forme	Ø4.7in/Ø12cm	Ø7.1in / Ø18cm (PAJ models 6.1 x 7.1in / 16.8 x 18cm)				
Poids net	10.1 lb / 4.6kg	10 lb / 4.5kg				
Poids à l'expédition	16.5 lb / 7.5 kg	13.9 lb / 6.3 kg				

Modèles InCal

MODÈLE	PAJ603CN	PAJ1003CN
Max	625ct (125g)	1050ct (210g)
Min	0.2ct	
d=	0.001ct	
e=	0.01ct	
Approbation	Class II	
Plage de tare	À la capacité par soustraction	
Stabilization	3 Seconds	
Masse cal. portée	50g or 100g	100g or 200g
Masses cal. lin.	50g, 100g	200g, 500g
Diamètre plate-forme	Ø3.5in / Ø9cm	
Poids net	10.1 lb / 4.6kg	
Poids à l'expédition	16.5 lb / 7.5 kg	

7.3 Communication**7.3.1 Commandes**

L'interface RS232 permet à un ordinateur de contrôler la balance ainsi que de recevoir des données telles que le poids affiché. La balance affiche ES pour les commandes non valides.

Commande	Fonction
IP	Impression immédiate du poids affiché.
P	Impression du poids affiché (se sert du paramètre activation/désactivation stabilité).
CP	Impression continue.
xP	Impression par intervalle x = Intervalle d'impression (1 à 3600 secondes)
T	Revient à appuyer sur la touche Zéro.
ON	Active la balance.
OFF	Désactive la balance.
PSN	Affichage du numéro de série.
PV	Version : impression du nom du produit, version logicielle et LFT activé (si l'option LFT est activée).
PU	Impression mode/unité actuels
x#	Définit le poids de référence de comptage des pièces (x) en grammes.
P#	Impression du poids de référence de comptage des pièces
x%	Définit le poids de référence en pourcentage (x) en grammes.
P%	Impression du poids de référence en pourcentage

7.3.2 RS232 (DB9) Connexions

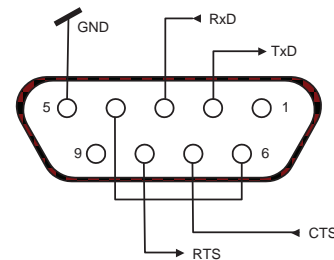
Broche 2: Ligne transmission de balance (TxD)

Broche 3: Ligne réception de balance (RxD)


Broche 5 Signal de masse (GND)

Broche 7: Envoi possible (établissement de liaison matérielle) (CTS)

Broche 8: Demande d'envoi (établissement de liaison matérielle) (RTS)



7.4 Conformité

La conformité aux normes suivantes est indiquée par la marque correspondante sur le produit	
Marque	Norme
	CAN/CSA-C22.2 No. 61010-1-04; UL Std. No. 61010A-1

Industry Canada Note

Cet appareil numérique de la classe A est conforme à la norme NMB-003 du Canada.

Enregistrement ISO 9001

En 1994, le Bureau Veritus Quality International (BVQI) a octroyé la certification d'enregistrement ISO 9001 à Ohaus Corporation, États-Unis d'Amérique, confirmant que le système de gestion de la qualité Ohaus était conforme aux conditions normalisées de l'ISO 9001. Le 15 mai 2003, Ohaus Corporation, États-Unis d'Amérique, a été ré-enregistrée à la norme ISO 9001:2000.

GARANTIE LIMITÉE

Ohaus garantit que ses produits sont exempts de défauts matériels et de fabrication à compter de la date de livraison pendant toute la durée de la garantie. Selon les termes de cette garantie, Ohaus s'engage, sans frais de votre part, à réparer ou, selon son choix, remplacer toutes les pièces déterminées défectueuses, sous réserve que le produit soit retourné, frais payés d'avance, à Ohaus.

Cette garantie n'entre pas en vigueur si le produit a subi des dommages suite à un accident ou une utilisation erronée, a été exposé à des matériaux radioactifs ou corrosifs, contient des matériaux étrangers ayant pénétré à l'intérieur ou suite à un service ou une modification apportée par des techniciens autres que ceux d'Ohaus. En l'absence d'une carte d'enregistrement de garantie dûment remplie, la période de garantie commence à la date de l'expédition au revendeur agréé. Aucune autre garantie expresse ou implicite n'est offerte par Ohaus Corporation. En aucun cas, Ohaus Corporation ne peut être tenu responsable des dommages indirects.

Dans la mesure où les lois régissant les garanties varient d'un État à l'autre et d'un pays à l'autre, veuillez contacter Ohaus ou votre représentant local agréé Ohaus pour de plus amples informations.