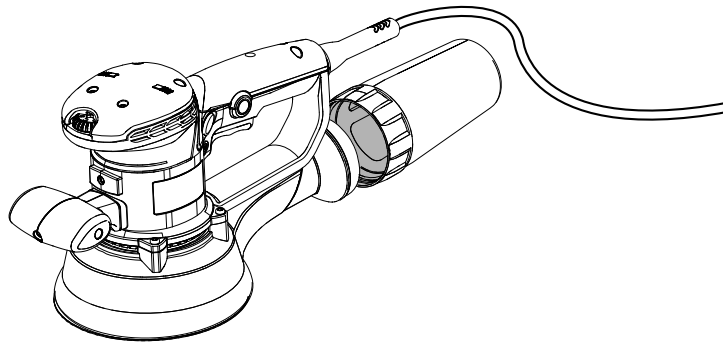
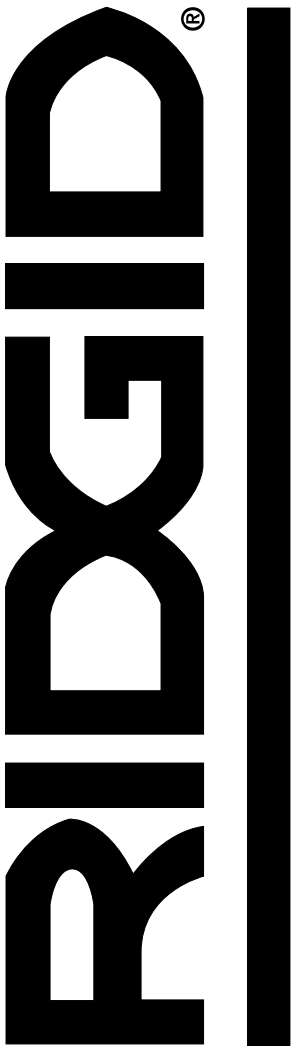


# OPERATOR'S MANUAL

## RANDOM ORBIT SANDER

DOUBLE INSULATED VARIABLE SPEED

R2611



Your random orbit sander has been engineered and manufactured to our high standard for dependability, ease of operation, and operator safety. When properly cared for, it will give you years of rugged, trouble-free performance.

**⚠ WARNING:** To reduce the risk of injury, the user must read and understand the operator's manual before using this product.

Thank you for buying a RIDGID® product.

### SAVE THIS MANUAL FOR FUTURE REFERENCE

Cette ponceuse à orbite aléatoire a été conçue et fabriquée conformément à nos strictes normes de fiabilité, simplicité d'emploi et sécurité d'utilisation. Correctement entretenue, elle vous donnera des années de fonctionnement robuste et sans problèmes.

**⚠ AVERTISSEMENT :**  
Pour réduire les risques de blessures, l'utilisateur doit lire et veiller à bien comprendre le manuel d'utilisation avant d'employer ce produit.

Merci d'avoir acheté un produit RIDGID®.

**CONSERVER CE MANUEL POUR  
FUTURE RÉFÉRENCE**

Su lijadora orbital aleatoria ha sido diseñada y fabricada de conformidad con nuestras estrictas normas para brindar fiabilidad, facilidad de uso y seguridad para el operador. Con el debido cuidado, le brindará muchos años de sólido y eficiente funcionamiento.

**⚠ ADVERTENCIA:**  
Para reducir el riesgo de lesiones, el usuario debe leer y comprender el manual del operador antes de usar este producto.

Le agradecemos la compra de un producto RIDGID®.

**GUARDE ESTE MANUAL PARA  
FUTURAS CONSULTAS**

# TABLE OF CONTENTS

## TABLE DES MATIÈRES / ÍNDICE DE CONTENIDO

---

■ Introduction .....	2
Introduction / Introducción	
■ General Safety Rules.....	3-4
Règles de sécurité générales / Reglas de seguridad generales	
■ Specific Safety Rules.....	4
Règles de sécurité particulières / Reglas de seguridad específicas	
■ Symbols.....	5
Symboles / Símbolos	
■ Electrical.....	6
Caractéristiques électriques / Aspectos eléctricos	
■ Features.....	7
Caractéristiques / Características	
■ Assembly.....	8
Assemblage / Armado	
■ Operation.....	8-10
Utilisation / Funcionamiento	
■ Maintenance.....	11
Entretien / Mantenimiento	
■ Warranty.....	12
Garantie / Garantía	
■ Figure numbers (illustrations).....	13-14
Figure numéros (illustrations) / Figura numeras (ilustraciones)	
■ Parts Ordering and Service .....	Back Page
Commande de pièces et réparation / Pedidos de piezas y servicio .....	Page arrière / Pág. posterior

## INTRODUCTION

### INTRODUCCIÓN

---

This product has many features for making its use more pleasant and enjoyable. Safety, performance, and dependability have been given top priority in the design of this product making it easy to maintain and operate.

\* \* \*

Ce produit offre de nombreuses fonctions destinées à rendre son utilisation plus plaisante et satisfaisante. Lors de la conception de ce produit, l'accent a été mis sur la sécurité, les performances et la fiabilité, afin d'en faire un outil facile à utiliser et à entretenir.

\* \* \*

Este producto ofrece numerosas características para hacer más agradable y placentero su uso. En el diseño de este producto se ha conferido prioridad a la seguridad, el desempeño y la fiabilidad, por lo cual se facilita su manejo y mantenimiento.

# GENERAL SAFETY RULES

## WARNING:

**Read all instructions.** Failure to follow all instructions listed below may result in electric shock, fire and/or serious injury. The term “power tool” in all of the warnings listed below refers to your mains-operated (corded) power tool or battery-operated (cordless) power tool.

## SAVE THESE INSTRUCTIONS

### WORK AREA SAFETY

- **Keep work area clean and well lit.** Cluttered or dark areas invite accidents.
- **Do not operate power tools in explosive atmospheres, such as in the presence of flammable liquids, gases or dust.** Power tools create sparks which may ignite the dust or fumes.
- **Keep children and bystanders away while operating a power tool.** Distractions can cause you to lose control.

### ELECTRICAL SAFETY

- **Power tool plugs must match the outlet. Never modify the plug in any way. Do not use any adapter plugs with earthed (grounded) power tools.** Unmodified plugs and matching outlets will reduce risk of electric shock.
- **Avoid body contact with earthed or grounded surfaces such as pipes, radiators, ranges and refrigerators.** There is an increased risk of electric shock if your body is earthed or grounded.
- **Do not expose power tools to rain or wet conditions.** Water entering a power tool will increase the risk of electric shock.
- **Do not abuse the cord. Never use the cord for carrying, pulling or unplugging the power tool. Keep cord away from heat, oil, sharp edges or moving parts.** Damaged or entangled cords increase the risk of electric shock.
- **When operating a power tool outdoors, use an extension cord suitable for outdoor use.** Use of a cord suitable for outdoor use reduces the risk of electric shock.

### PERSONAL SAFETY

- **Stay alert, watch what you are doing and use common sense when operating a power tool. Do not use a power tool while you are tired or under the influence of drugs, alcohol or medication.** A moment of inattention while operating power tools may result in serious personal injury.
- **Use safety equipment. Always wear eye protection.** Safety equipment such as dust mask, non-skid safety shoes, hard hat, or hearing protection used for appropriate conditions will reduce personal injuries.
- **Avoid accidental starting. Ensure the switch is in the off-position before plugging in.** Carrying power tools with your finger on the switch or plugging in power tools that have the switch on invites accidents.

- **Remove any adjusting key or wrench before turning the power tool on.** A wrench or a key left attached to a rotating part of the power tool may result in personal injury.
- **Do not overreach. Keep proper footing and balance at all times.** This enables better control of the power tool in unexpected situations.
- **Dress properly. Do not wear loose clothing or jewelry. Keep your hair, clothing and gloves away from moving parts.** Loose clothes, jewelry, or long hair can be caught in moving parts.
- **If devices are provided for the connection of dust extraction and collection facilities, ensure these are connected and properly used.** Use of these devices can reduce dust-related hazards.
- **Do not wear loose clothing or jewelry. Contain long hair.** Loose clothes, jewelry, or long hair can be drawn into air vents.
- **Do not use on a ladder or unstable support.** Stable footing on a solid surface enables better control of the power tool in unexpected situations.

### POWER TOOL USE AND CARE

- **Do not force the power tool. Use the correct power tool for your application.** The correct power tool will do the job better and safer at the rate for which it was designed.
- **Do not use the power tool if the switch does not turn it on and off.** Any power tool that cannot be controlled with the switch is dangerous and must be repaired.
- **Disconnect the plug from the power source and/or the battery pack from the power tool before making any adjustments, changing accessories, or storing power tools.** Such preventive safety measures reduce the risk of starting the power tool accidentally.
- **Store idle power tools out of the reach of children and do not allow persons unfamiliar with the power tool or these instructions to operate the power tool.** Power tools are dangerous in the hands of untrained users.
- **Maintain power tools. Check for misalignment or binding of moving parts, breakage of parts, and any other condition that may affect the power tool’s operation. If damaged, have the power tool repaired before use.** Many accidents are caused by poorly maintained power tools.
- **Keep cutting tools sharp and clean.** Properly maintained cutting tools with sharp cutting edges are less likely to bind and are easier to control.
- **Use the power tool, accessories and tool bits etc., in accordance with these instructions and in the manner intended for the particular type of power tool, taking into account the working conditions and the work to be performed.** Use of the power tool for operations different from those intended could result in a hazardous situation.

# GENERAL SAFETY RULES

---

## SERVICE

- **Have your power tool serviced by a qualified repair person using only identical replacement parts.** This will ensure that the safety of the power tool is maintained.

---

### **WARNING:**

To reduce the risk of injury, user must read instruction manual.

---

- **When servicing a power tool, use only identical replacement parts. Follow instructions in the Maintenance section of this manual.** Use of unauthorized parts or failure to follow Maintenance instructions may create a risk of shock or injury.

# SPECIFIC SAFETY RULES

---

- **Hold power tools by insulated gripping surfaces when performing an operation where the cutting tool may contact hidden wiring or its own cord.** Contact with a “live” wire will make exposed metal parts of the tool “live” and shock the operator.
- **Know your power tool. Read operator’s manual carefully. Learn its applications and limitations, as well as the specific potential hazards related to this tool.** Following this rule will reduce the risk of electric shock, fire, or serious injury.
- **Always wear eye protection marked to comply with ANSI Z87.1.** Following this rule will reduce the risk of serious personal injury.
- **Protect your lungs. Wear a face or dust mask if the operation is dusty.** Following this rule will reduce the risk of serious personal injury.
- **Protect your hearing. Wear hearing protectors during extended periods of operation.** Following this rule will reduce the risk of serious personal injury.
- **Inspect tool cords periodically and, if damaged, have repaired at your nearest authorized service center. Constantly stay aware of cord location.** Following this rule will reduce the risk of electric shock or fire.
- **Check damaged parts. Before further use of the tool, a guard or other part that is damaged should**

**be carefully checked to determine that it will operate properly and perform its intended function. Check for alignment of moving parts, binding of moving parts, breakage of parts, mounting, and any other conditions that may affect its operation. A guard or other part that is damaged should be properly repaired or replaced by an authorized service center.** Following this rule will reduce the risk of shock, fire, or serious injury.

- **Make sure your extension cord is in good condition. When using an extension cord, be sure to use one heavy enough to carry the current your product will draw. A wire gauge size (A.W.G.) of at least 16 is recommended for an extension cord 50 feet or less in length. A cord exceeding 100 feet is not recommended. If in doubt, use the next heavier gauge. The smaller the gauge number, the heavier the cord. An undersized cord will cause a drop in line voltage resulting in loss of power and overheating.**
- **Inspect for and remove all nails from lumber before using this tool.** Following this rule will reduce the risk of serious personal injury.
- **Save these instructions.** Refer to them frequently and use them to instruct others who may use this tool. If you loan someone this tool, loan them these instructions also.

## CALIFORNIA PROPOSITION 65

---

### **WARNING:**

This product and some dust created by power sanding, sawing, grinding, drilling, and other construction activities may contain chemicals, including lead, known to the State of California to cause cancer, birth defects, or other reproductive harm. **Wash hands after handling.** Some example of these chemicals are:




- lead from lead-based paints,
- crystalline silica from bricks and cement and other masonry products, and
- arsenic and chromium from chemically-treated lumber.

Your risk from these exposures varies, depending on how often you do this type of work. To reduce your exposure to these chemicals: work in a well ventilated area, and work with approved safety equipment, such as those dust masks that are specially designed to filter out microscopic particles.






---

# SYMBOLS

The following signal words and meanings are intended to explain the levels of risk associated with this product.

SYMBOL	SIGNAL	MEANING
	<b>DANGER:</b>	Indicates an imminently hazardous situation, which, if not avoided, will result in death or serious injury.
	<b>WARNING:</b>	Indicates a potentially hazardous situation, which, if not avoided, could result in death or serious injury.
	<b>CAUTION:</b>	Indicates a potentially hazardous situation, which, if not avoided, may result in minor or moderate injury.
	<b>CAUTION:</b>	(Without Safety Alert Symbol) Indicates a situation that may result in property damage.

Some of the following symbols may be used on this product. Please study them and learn their meaning. Proper interpretation of these symbols will allow you to operate the product better and safer.

SYMBOL	NAME	DESIGNATION/EXPLANATION
	Safety Alert	Indicates a potential personal injury hazard.
V	Volts	Voltage
A	Amperes	Current
Hz	Hertz	Frequency (cycles per second)
min	Minutes	Time
~	Alternating Current	Type of current
$n_0$	No Load Speed	Rotational speed, at no load
	Class II Construction	Double-insulated construction
.../min	Per Minute	Revolutions, strokes, surface speed, orbits etc., per minute
	Wet Conditions Alert	Do not expose to rain or use in damp locations.
	Read The Operator's Manual	To reduce the risk of injury, user must read and understand operator's manual before using this product.
	Eye Protection	Always wear eye protection with side shields marked to comply with ANSI Z87.1.

# ELECTRICAL

## DOUBLE INSULATION

Double insulation is a concept in safety in electric power tools, which eliminates the need for the usual three-wire grounded power cord. All exposed metal parts are isolated from the internal metal motor components with protecting insulation. Double insulated tools do not need to be grounded.

### **WARNING:**

The double insulated system is intended to protect the user from shock resulting from a break in the tool's internal wiring. Observe all normal safety precautions to avoid electrical shock.

**NOTE:** Servicing of a tool with double insulation requires extreme care and knowledge of the system and should be performed only by a qualified service technician. For service, we suggest you return the tool to your nearest authorized service center for repair. Always use original factory replacement parts when servicing.

## ELECTRICAL CONNECTION

This tool has a precision-built electric motor. It should be connected to a **power supply that is 120 volts, 60 Hz, AC only (normal household current)**. Do not operate this tool on direct current (DC). A substantial voltage drop will cause a loss of power and the motor will overheat. If your tool does not operate when plugged into an outlet, double-check the power supply.

## EXTENSION CORDS

When using a power tool at a considerable distance from a power source, be sure to use an extension cord that has the capacity to handle the current the tool will draw. An undersized cord will cause a drop in line voltage, resulting in overheating and loss of power. Use the chart to determine the minimum wire size required in an extension cord. Only round jacketed cords listed by Underwriter's Laboratories (UL) should be used.

When working outdoors with a tool, use an extension cord that is designed for outside use. This type of cord is designated with "W-A" or "W" on the cord's jacket.

Before using any extension cord, inspect it for loose or exposed wires and cut or worn insulation.

\*\*Ampere rating (on tool data plate)

Cord Length	Wire Size (A.W.G.)					
	0-2.0	2.1-3.4	3.5-5.0	5.1-7.0	7.1-12.0	12.1-16.0
25'	16	16	16	16	14	14
50'	16	16	16	14	14	12
100'	16	16	14	12	10	—

\*\*Used on 12 gauge - 20 amp circuit.

**NOTE:** AWG = American Wire Gauge

### **WARNING:**

Keep the extension cord clear of the working area. Position the cord so that it will not get caught on lumber, tools or other obstructions while you are working with a power tool. Failure to do so can result in serious personal injury.

### **WARNING:**

Check extension cords before each use. If damaged replace immediately. Never use tool with a damaged cord since touching the damaged area could cause electrical shock resulting in serious injury.

# FEATURES

---

## PRODUCT SPECIFICATIONS

Sanding Disc Diameter..... 6 in.  
Orbit Diameter ..... 1/8 in. or 1/4 in.  
No Load Speed .....4,000-10,000/min

Input ..... 120 V, 60 Hz, AC only, 4 Amps  
Net Weight..... 6.3 lbs.

## KNOW YOUR RANDOM ORBIT SANDER

*See Figure 1, page 13.*

Before attempting to use this product, familiarize yourself with all operating features and safety rules.

## ADJUSTABLE FRONT HANDLE

For ease of operation, the front handle can be adjusted using the supplied hex key.

## BACKING PAD

The hook and loop backing pad allows you to quickly and easily attach sanding discs.

## DUAL RANDOM ORBIT SELECTOR

The random orbit motion provides overlapping sanding movements by combining orbital and turning motion. These overlapping sanding movements provide fast cutting action with excellent sanding results.

## DUST BAG

The dust bag attaches to the sander and keeps dust to a minimum.

## ERGONOMIC DESIGN

Your random orbit sander is designed for comfort and ease of operation in different positions and at different angles.

## INTEGRATED BRAKE PAD

The integrated brake pad prevents pad “overspin.” This feature helps eliminate sanding scratches when you apply the sander to, or remove it from, a work surface.

## LOCK-ON BUTTON

The lock-on feature allows you to lock the switch trigger in the **ON** position. Locking the switch trigger on allows you to operate the sander for extended periods of time.

## SOFT START

When a speed is selected with the variable speed dial and the sander is stopped and then reactivated, the sander will gradually ramp up to the previous speed setting once the switch trigger is pressed again.

## VACUUM ADAPTOR

The vacuum adaptor allows you to connect to a 1-1/4 in. or 2-1/2 in. diameter vacuum hose to help keep the work area clean.

## VARIABLE SPEED DIAL

The variable speed feature allows the sander to develop a no load speed that can be adjusted from 4,000 to 10,000 orbits per minute by rotating the dial from **A (slowest)** to **F (fastest)**.

# ASSEMBLY

---

## UNPACKING

This product has been shipped completely assembled.

- Carefully remove the tool and any accessories from the box. Make sure that all items listed in the packing list are included.

---

### **WARNING:**

Do not use this product if it is not completely assembled or if any parts appear to be missing or damaged. Use of a product that is not properly and completely assembled could result in serious personal injury.

- 
- Inspect the tool carefully to make sure no breakage or damage occurred during shipping.
  - Do not discard the packing material until you have carefully inspected and satisfactorily operated the tool.
  - If any parts are damaged or missing, please call 1-866-539-1710 for assistance.

## PACKING LIST

Random Orbit Sander  
Sanding Disc, 80-grit (3)  
Handle Assembly  
Dust Bag Assembly  
Hex Key  
Operator's Manual

# OPERATION

---

---

### **WARNING:**

Do not allow familiarity with tools to make you careless. Remember that a careless fraction of a second is sufficient to inflict severe injury.

---

### **WARNING:**

Always wear eye protection marked to comply with ANSI Z87.1. Failure to do so could result in objects being thrown into your eyes resulting in possible serious injury.

---

---

### **WARNING:**

If any parts are damaged or missing do not operate this tool until the parts are replaced. Use of this product with damaged or missing parts could result in serious personal injury.

---

---

### **WARNING:**

Do not attempt to modify this tool or create accessories not recommended for use with this tool. Any such alteration or modification is misuse and could result in a hazardous condition leading to possible serious personal injury.

---

---

### **WARNING:**

Do not connect to power supply until assembly is complete. Failure to comply could result in accidental starting and possible serious personal injury.

---

---

### **WARNING:**

Do not use any attachments or accessories not recommended by the manufacturer of this tool. The use of attachments or accessories not recommended can result in serious personal injury.

---

## APPLICATIONS

You may use this tool for the purposes listed below:

- Sanding wood or wood product surfaces
- Sanding steel surfaces
- Removing rust from steel surfaces

## ATTACHING THE FRONT HANDLE

See Figure 2, page 13.

- Unplug the sander.
- Place handle in the desired position.
- Tighten the handle by inserting the hex key into the handle hole, engaging the hex screw inside, and turning clockwise.

# OPERATION

## SANDING DISC SELECTION

Selecting the correct size grit and type sanding disc is an extremely important step in achieving a high quality sanded finish. Aluminum oxide, silicon carbide, and other synthetic abrasives are best for power sanding. Natural abrasives, such as flint and garnet are too soft for economical use in power sanding.

In general, coarse grit will remove the most material and finer grit will produce the best finish in all sanding operations. The condition of the surface to be sanded will determine which grit will do the job. If the surface is rough, start with a coarse grit and sand until the surface is uniform. Medium grit may then be used to remove scratches left by the coarser grit and finer grit used for finishing of the surface. Always continue sanding with each grit until surface is uniform.

## ATTACHING HOOK AND LOOP SANDING DISC

See Figure 3, page 13.

To attach hook and loop sanding disc:

- Unplug the sander.
- Align the holes in the sanding disc with the holes in the hook and loop backing pad.
- Press the sanding disc against the backing pad as firmly as possible.

**NOTE:** To provide for the best adhesion, we recommend that you clean the backing pad and the sanding disc backing occasionally by brushing them lightly with a small brush.

## SELECTING THE ORBIT DIAMETER

See Figure 4, page 13.

The dual random orbit selector allows you to choose between two orbits: the 1/8 in. orbit setting produces a finer surface finish, while the 1/4 in. orbit setting increases the removal rate.

With the sander held in normal operating position, the dual random orbit selector should be positioned to the left of the switch trigger for a 1/4 in. orbit diameter. The dual random orbit selector should be positioned to the right of the switch trigger for a 1/8 in. orbit diameter.

## VARIABLE SPEED DIAL

See Figure 5, page 13.

The variable speed dial allows the sander to operate at speeds that can be adjusted by rotating the dial from A to F. The dial is conveniently located on the motor housing, allowing operator control of disc speed. To increase sanding disc speed, turn the variable speed dial to a higher setting. Turn dial to a lower setting to decrease sanding disc speed.

Recommended speed settings are as follows:

Speed	Surface/Application
A - B	plastic, plexiglass
C - D	metal finishing, old paint removal
E - F	wood/coarse and fine sanding

## ATTACHING THE DUST BAG

See Figure 6, page 13.

The dust bag provides a dust collection system for the sander. Sanding dust is drawn up through the holes of the sanding disc and collected in the dust bag during sanding.

To attach the dust bag:

- Unplug the sander.
- Slide dust bag assembly onto blower exhaust turning clockwise to tighten.

## ATTACHING THE SANDER TO A VACUUM

See Figure 7, page 14.

To attach the sander to a vacuum:

- Unplug the sander.
- Turn the dust bag counterclockwise to remove from sander.
- Attach the vacuum hose to the vacuum adaptor.

## WARNING

When sander is not connected to vacuum, always install dust bag back on sander. Failure to do so could cause sanding dust or foreign objects to be thrown into the face or eyes which could result in possible serious injury.

**NOTE:** A standard 1-1/4 in. vacuum hose fits inside the smaller diameter hole inside the dust exhaust, while a standard 2-1/2 in. vacuum hose connection fits inside the larger hole of the dust exhaust.

## TURNING THE SANDER ON/OFF

See Figure 8, page 14.

Depress the switch trigger to turn the sander **ON**. Release the switch trigger to turn the sander **OFF**.

## LOCKING ON THE SANDER

See Figure 8, page 14.

The sander is equipped with a lock-on feature, which is convenient for continuous sanding for extended periods of time.

## WARNING:

Before connecting the sander to a power supply, make sure it is not in the locked-on position. Failure to do so could result in accidental starting of the tool resulting in serious injury.

To lock on the sander:

- Depress the switch trigger.
- Push in the lock-on button.
- Release the switch trigger.
- Release the lock-on button.

# OPERATION

---

**NOTE:** To release the lock, depress the switch trigger.

If you have the lock-on feature engaged during use and the sander is accidentally disconnected from the power supply, disengage the lock-on feature immediately. Also, do not lock the switch trigger if you might need to suddenly stop the sander.

## OPERATING THE SANDER

See Figure 9, page 14.

To operate the sander:

- Secure the workpiece to prevent it from moving during operation.

---

### **WARNING:**

Unsecured workpieces could be thrown towards the operator causing injury.

---

### **WARNING:**

Keep your head away from the sander and the sanding area. Your hair could be drawn into the sander, causing serious injury.

- 
- Place the sander on the workpiece so that all of the sanding disc surface is in contact with the workpiece.

---

### **CAUTION:**

To avoid motor damage resulting from overheating, do not cover the air vents with your hand.

- 
- Turn on the sander and move it slowly over the workpiece. Make successive passes in parallel lines, circles, or cross-wise movements.
  - Turn off the sander and wait until the sanding disc comes to a complete stop before removing it from the workpiece.

**Do not force.** The weight of the unit supplies adequate pressure to do the work. Applying additional pressure only slows the motor, rapidly wears the sanding sheet, and greatly reduces sander speed. Excessive pressure will overload the motor causing possible damage from overheating and can result in inferior work. Any finish or resin on wood may soften from the frictional heat. Do not sand on one spot too long as the sander's rapid action may remove too much material, making the surface uneven.

Extended periods of sanding may overheat the motor. If this occurs, turn the sander off and wait until the sanding sheet comes to a complete stop. Remove sander from workpiece. Remove sanding disc, then turn sander on, and run it free without a load to cool the motor.

## EMPTYING THE DUST BAG

See Figure 10, page 14.

For more efficient operation, empty the dust bag when it is no more than half full. This will permit the air to flow through the bag better. Always empty and clean the dust bag thoroughly upon completion of a sanding operation and before placing the sander in storage.

---

### **WARNING:**

Collected sanding dust from sanding surface coatings such as polyurethanes, linseed oil, etc., can self-ignite in the sander dust bag or elsewhere and cause fire. To reduce the risk of fire, always empty the dust bag frequently while sanding and never store or leave a sander without totally emptying its dust bag. Also follow the recommendations of the coatings manufacturers.

---

To empty the dust bag:

- Unplug the sander.
- Remove the dust bag from the sander.
- Shake out the dust.
- Reattach the dust bag to the sander.

For a more thorough cleaning of the dust bag, remove dust bag from frame and shake out dust. Replace dust bag over frame then install dust bag assembly on sander.

# MAINTENANCE

---

## **WARNING:**

When servicing use only identical RIDGID replacement parts. Use of any other parts may create a hazard or cause product damage.

---

## **WARNING:**

Always wear eye protection marked to comply with ANSI Z87.1. Failure to do so could result in objects being thrown into your eyes resulting in possible serious injury.

---

## GENERAL MAINTENANCE

Avoid using solvents when cleaning plastic parts. Most plastics are susceptible to damage from various types of commercial solvents and may be damaged by their use. Use clean cloths to remove dirt, dust, oil, grease, etc.

---

## **WARNING:**

Do not at any time let brake fluids, gasoline, petroleum-based products, penetrating oils, etc., come in contact with plastic parts. Chemicals can damage, weaken or destroy plastic which may result in serious personal injury.

---

Electric tools used on fiberglass material, wallboard, spackling compounds, or plaster are subject to accelerated wear and possible premature failure because the fiberglass chips and grindings are highly abrasive to bearings, brushes, commutators, etc. Consequently, we do not recommend using this tool for extended work on these types of materials. However, if you do work with any of these materials, it is extremely important to clean the tool using compressed air.

## LUBRICATION

All of the bearings in this tool are lubricated with a sufficient amount of high grade lubricant for the life of the unit under normal operating conditions. Therefore, no further lubrication is required.

## BRUSH REPLACEMENT

See Figure 11, page 14.

- Unplug the sander.
- 

## **WARNING:**

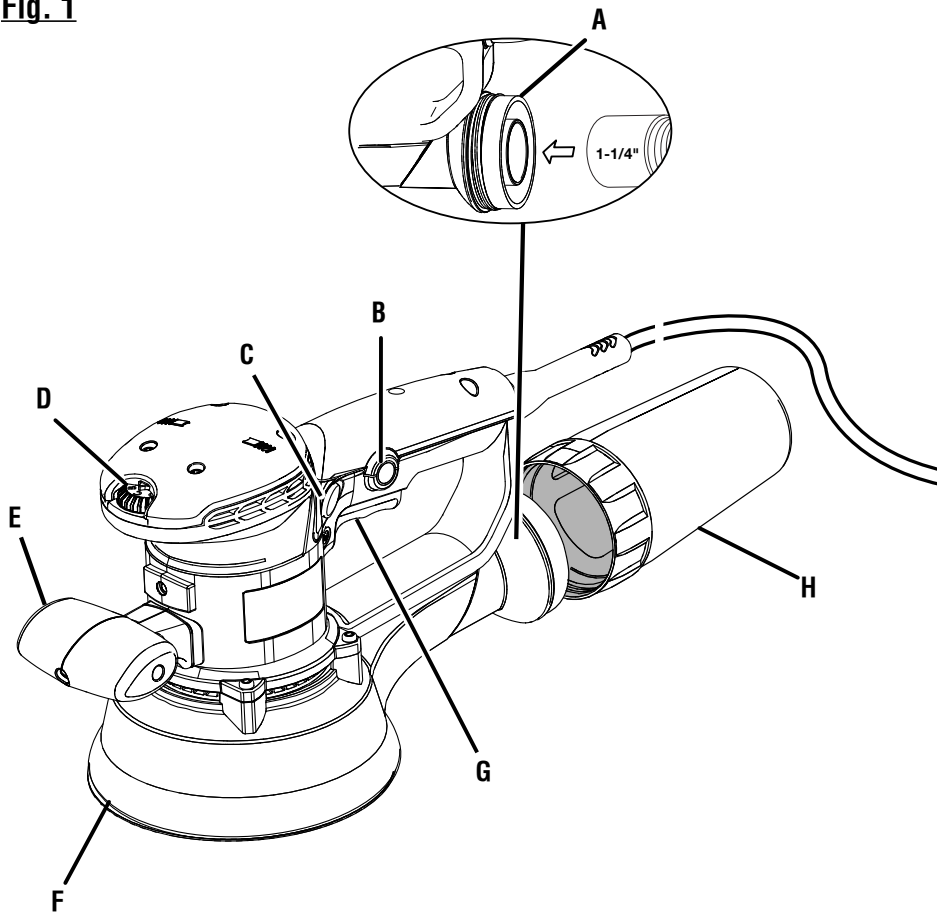
Failure to unplug the tool could result in accidental starting causing possible serious injury.

---

- Remove screws (7) from top cover of sander.
- Remove top cover.
- Disconnect lead terminals from brush tubes.
- Remove brush assemblies (2).
- Check for wear. Replace both brush assemblies when either has less than 1/4 in. length of carbon remaining. Do not replace one side without replacing the other.
- Reassemble using new brush assemblies. Make sure curvature of brush matches curvature of motor and that brush moves freely in brush tube.
- Reassemble by reversing the steps listed above.
- Tighten all screws securely. **Do not** over tighten.

**NOTE: FIGURES (ILLUSTRATIONS) START ON PAGE 13 AFTER FRENCH AND SPANISH LANGUAGE SECTIONS.**

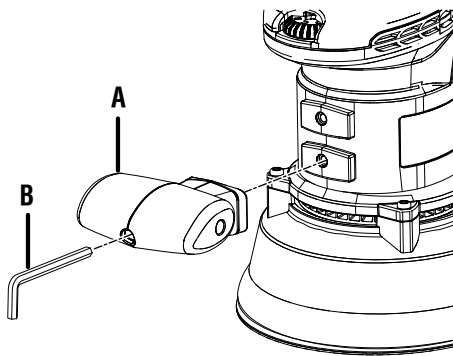
**Fig. 1**



- A - Vacuum adaptor (adaptateur d'aspiration, adaptador para aspiradora)
- B - Lock-on button (bouton de verrouillage, botón del seguro de encendido)
- C - Dual random orbit selector (sélecteur d'orbite aléatoire, selector dual de órbita aleatoria)
- D - Variable speed dial (commande de vitesse variable, selector giratorio de velocidad)

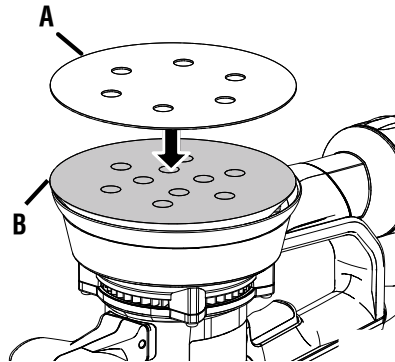
- E - Front handle (poignée avant, mango delantero)
- F - Backing pad (coussinet, almohadilla de respaldo)
- G - Switch trigger (gâchette, gatillo del interruptor)
- H - Dust bag (sac à poussière, saco captador)

**Fig. 2**



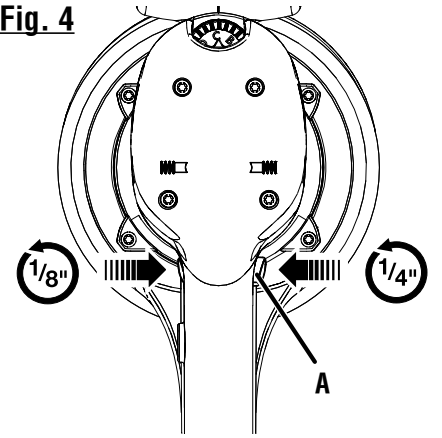
- A - Handle (poignée, mango)
- B - Hex key (clé hexagonale, llave hexagonal)

**Fig. 3**



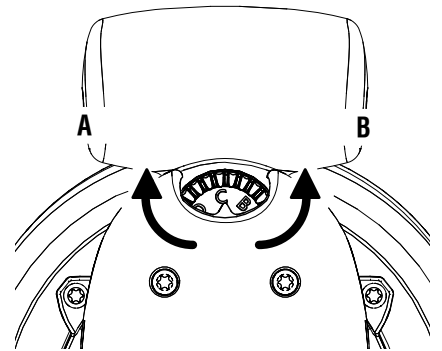
- A - Sanding disc (disque abrasif, disco de lija)
- B - Hook and loop backing pad (coussinet à boucles et crochets, almohadilla de respaldo de gancho y lazada)

**Fig. 4**



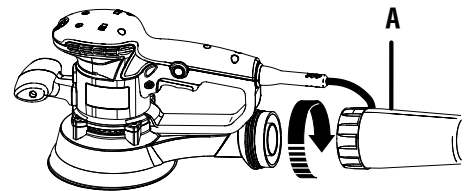
- A - Dual random orbit selector (sélecteur d'orbite aléatoire, selector dual de órbita aleatoria)

**Fig. 5**



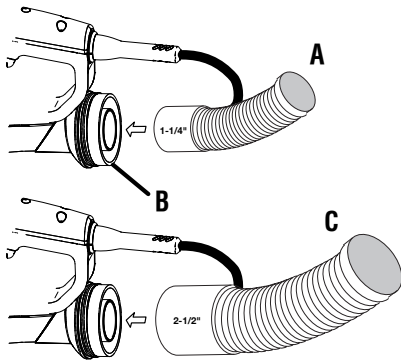
- A - To increase speed (pour augmenter la vitesse, para aumentar la velocidad)
- B - To decrease speed (pour réduire la vitesse, para disminuir la velocidad)

**Fig. 6**



- A - Dust bag (sac à poussière, saco captador)

**Fig. 7**

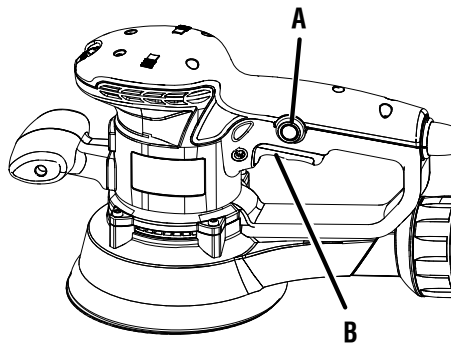


A - 1-1/4 in. vacuum hose (tuyau d'aspirateur de 1 1/4 po, manguera de aspiradora de 32 mm [1 1/4 pulg.])

B - Vacuum adaptor (adaptateur d'aspiration, adaptador para aspiradora)

C - 2-1/2 in. vacuum hose (tuyau d'aspirateur de 2 1/2 po, manguera de aspiradora de 64 mm [2 1/2 pulg.])

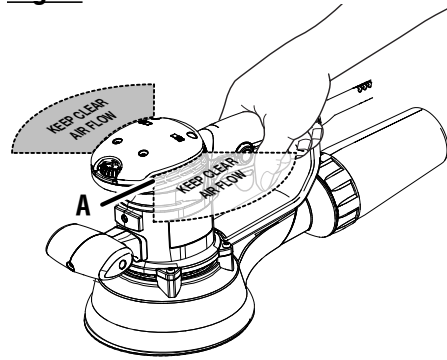
**Fig. 8**



A - Lock-on button (bouton de verrouillage, botón del seguro de encendido)

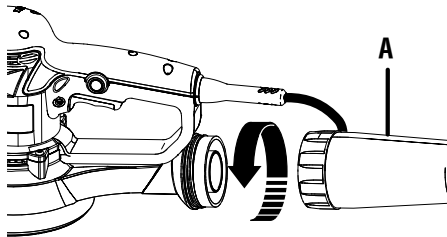
B - Switch trigger (gâchette, gatillo del interruptor)

**Fig. 9**



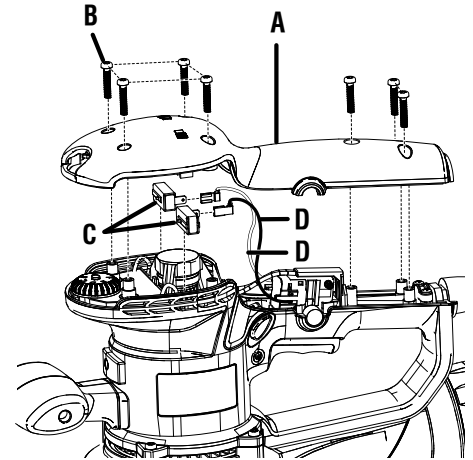
A - Air vents (ouïes d'aération, aberturas de aire)

**Fig. 10**



A - Dust bag (sac à poussière, saco captador)

**Fig. 11**



A - Top cover (couvercle, tapa superior)

B - Screws (vis, tornillos)

C - Brush assembly (balais, conjunto de escobilla)

D - Lead (cosse, conductor)