

## Gauge Stand with Granite Base

Item number: 215-151-10



### Images



### Description

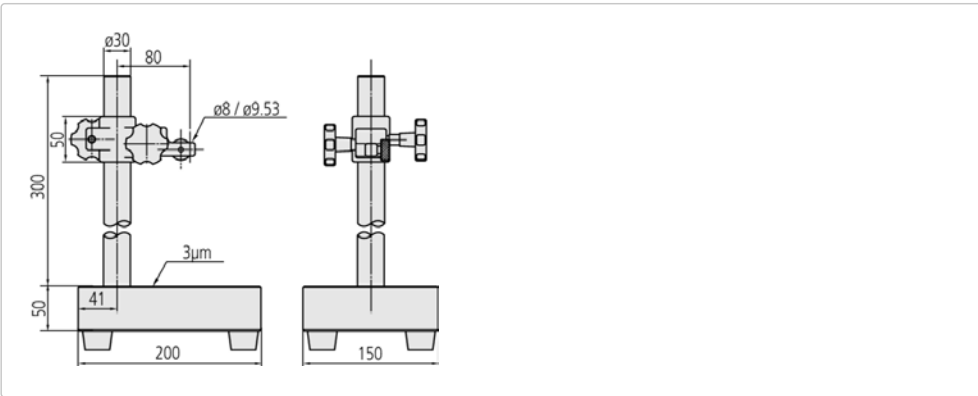
With wear-resistant hard rock table

### Features

Column Ø:	<b>30 mm</b>
Max. measurement height	<b>260 mm</b>
:	
Fine adjustment:	<b>1 mm</b>
Stem hole Ø:	<b>ø 3/8" / 9.53 mm , 8 mm with bush (standard accessory)</b>

Table flatness:	<b>3 <math>\mu</math>m</b>
Perpendicularity table-stem hole:	<b>0.2/100 mm/mm</b>
Mass:	<b>7.5 kg</b>

### Dimensions



### Accessories

#### Standard accessories:



**Stem Bush for Gauge Stand**  
**9,53mm to 8mm**  
**21JAA316**  
 Suggested retail price: **31.00 €\***