

Digital Universal Protractor

SERIES 187

Technical Data

Range: -360° to +360°
 Tolerance: ±2' (±0.03°)
 Repeatability: 1'
 Resolution: 1' (0.01°)
 Battery: Lithium Battery
 Battery life: 2,000 hours

Function

Presetting

Standard Accessories

12" Blade (Code No. 187-103)
 Battery (CR2032) (Part No. 05SAA217)
 Clamp box for Inch Height Gage (Part No. 950749)
 Plastic Case

Optional Accessories

187-104 6" blade
187-105 Acute angle attachment
950750 Clamp box for Metric Height Gage
905338 Connecting cable (40" / 1m)
905409 Connecting cable (80" / 2m)

FEATURES

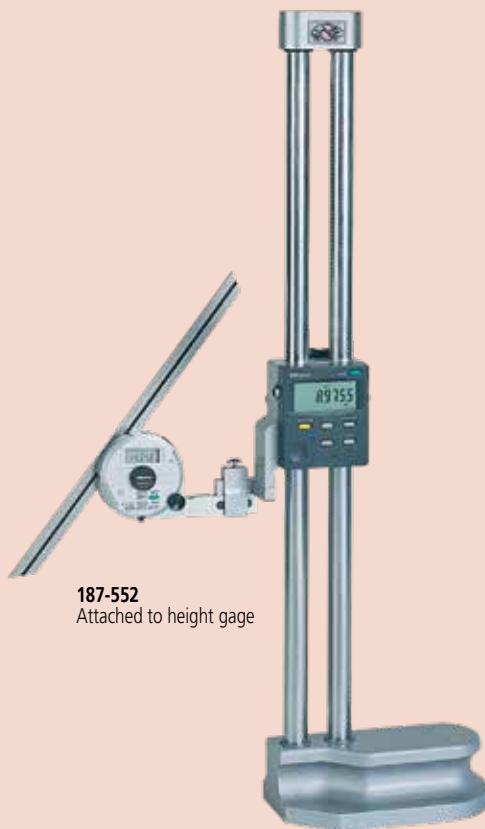
- Data output function make it easy to see the statistical data.
- Can be attached to height gages, gage holder (950750, metric)
- Setting preset value.
- Removable blade.



187-552

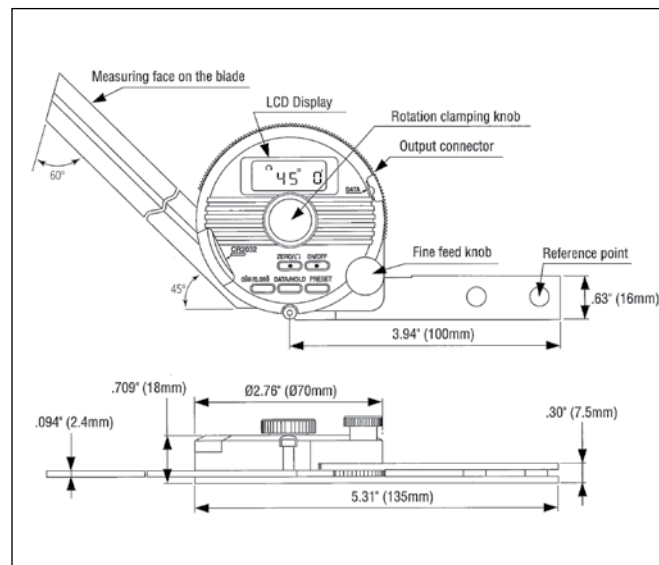
SPECIFICATIONS

Code No.	187-552
Model	BP-D300E
Blade	12" (187-103)
Display	LCD - 5 digit, (-) sign, character height 6.5mm
Measuring range	-360° ~ +360°
Resolution	1' (0.01°)
Accuracy	± 2' (±0.03°)
Repeatability	1' (0.01°)
Mass	1.45 lbs (659g)
Dust / Water protection level	IP40
Function	Zero, Direction select, Data output / Data hold, Preset, Switchable Seagesimal or Decimal Natation
Max. response speed	3 rps
Battery	Lithium battery (CR2032) 1 pc. (Part No. 05SAA217)
Battery life	2,000 hours
Alarm	Battery voltage low, Over speed error (Err)
Temperature	Operation temperature: 0 to 40°C Storage temperature: -10 to 60°C



187-552
Attached to height gage

DIMENSIONS



Mitutoyo

information@itm.com

www.itm.com

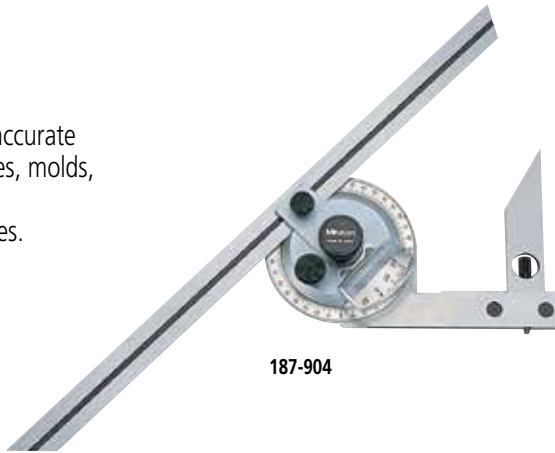
1.800.561.8187

Universal Bevel Protractor

SERIES 187

FEATURES

- High-precision angle gage for accurate angle measurement of machines, molds, and jigs.
- Can be attached to height gages.



187-904

SPECIFICATIONS

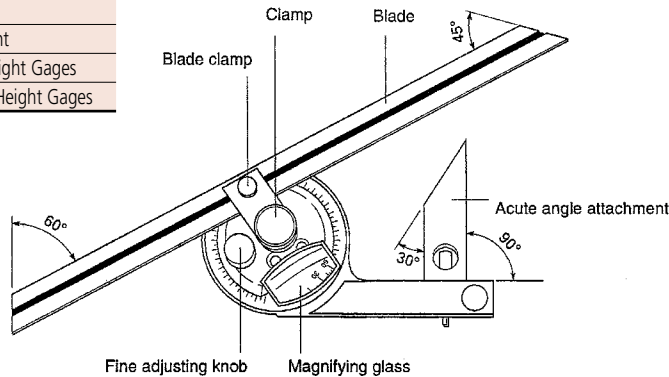
Universal Bevel Protractors

Order No.	Dial	Vernier	Remarks
187-904	1°	5 min	with 6" blade (187-104) and Clamp box for Inch Height Gages (950749)
187-906	1°	5min	with 12" blade (187-103) and Clamp box for Inch Height Gages (950749)

Universal Bevel Protractor Accessories and Parts

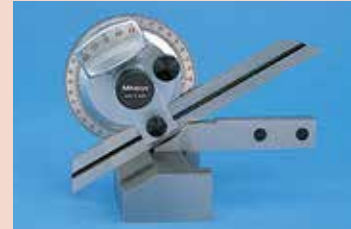
Order No.	Remarks
187-103	12" Blade
187-104	6" Blade
187-105	Acute angle attachment
950749	Clamp box for Inch Height Gages
950750	Clamp box for Metric Height Gages

DIMENSIONS



Technical Data

Graduation: 5min. (0° - 90° - 0°)
 Accuracy
 Vernier ±5'
 L = Length in inch
 Diameter: 2.56" / 70mm



Bevel Protractor

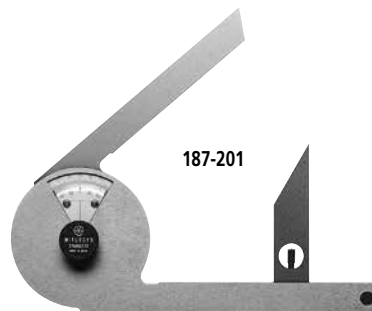
SERIES 187

FEATURES

- Consists of three sheets of stainless steel, the middle one of which is made for angle measurements.

SPECIFICATIONS

Order No.	Graduation	Remarks
187-201	1° / 5 min	Center black knob locks the blade position Protractor Graduation: 0°-90°, 90°-0°



187-201

Technical Data

Graduation: 5 min. (0° - 90° - 0°)
 Blade edge angle: 30° and 60°
 Diameter: 2.56" / 70mm