

AC Current Probe Model MD304

User Manual

DESCRIPTION

The MD304 (Catalog #1201.37) is designed for use in industrial environments. The hook-shaped jaw enables the user to “pry” into or “hook” onto cables (will accept 2 x 500 MCM) or even smaller bus bars. The current output up to 500 Arms continuous makes it the perfect tool for measurement with DMMs, recorders or instruments with current ranges. The Model MD304 offers a 5 ft lead with safety 4mm banana plugs.

WARNING

These safety warnings are provided to ensure the safety of personnel and proper operation of the instrument.

- Read the instruction manual completely and follow all the safety information before attempting to use or service this instrument.
- Use caution on any circuit: Potentially high voltages and currents may be present and may pose a shock hazard.
- Read the Safety Specifications section prior to using the current probe. Never exceed the maximum voltage ratings given.
- Safety is the responsibility of the operator.
- ALWAYS connect the current probe to the display device before clamping the probe onto the sample being tested.
- ALWAYS inspect the instrument, probe, probe cable, and output terminals prior to use. Replace any defective parts immediately.
- NEVER use the current probe on electrical conductors rated above 600V in overvoltage category III (CAT III). Use extreme caution when clamping around bare conductors or bus bars.

INTERNATIONAL ELECTRICAL SYMBOLS



This symbol signifies that the current probe is protected by double or reinforced insulation. Use only factory specified replacement parts when servicing the instrument.



This symbol signifies CAUTION! and requests that the user refer to the user manual before using the instrument.



This is a type A current sensor. This symbol signifies that application around and removal from HAZARDOUS LIVE conductors is permitted.

RECEIVING YOUR SHIPMENT

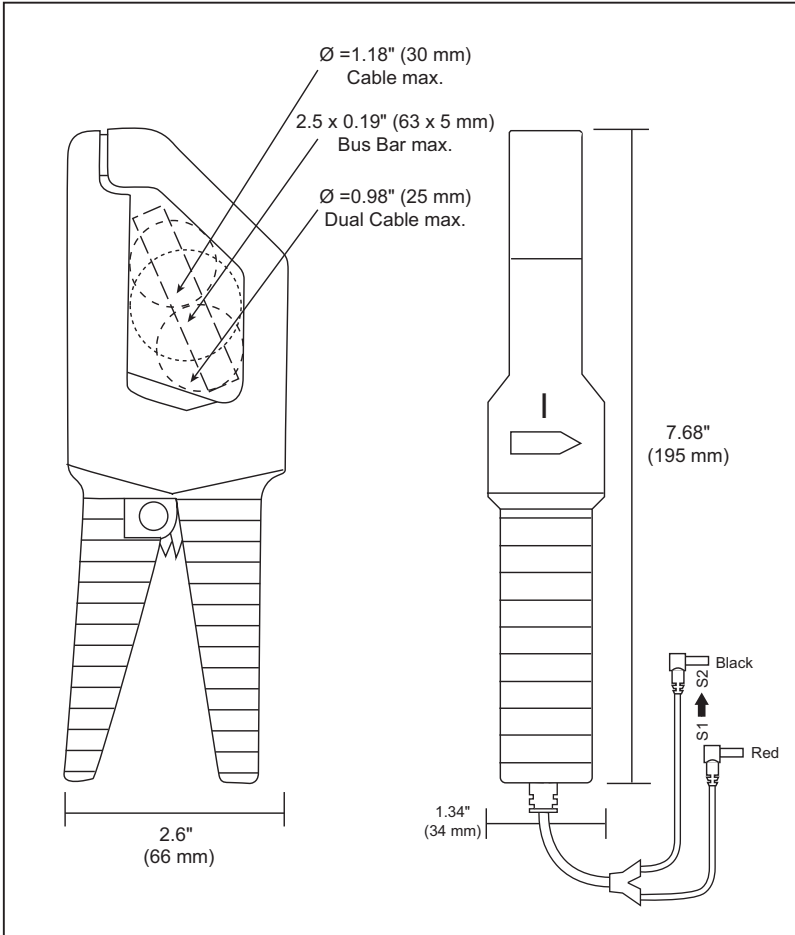
Upon receiving your shipment, make sure that the contents are consistent with the packing list. Notify your distributor of any missing items. If the equipment appears to be damaged, file a claim immediately with the carrier and notify your distributor at once, giving a detailed description of any damage.

PACKAGING

The AC Current Probe MD304 is shipped with this instruction manual and a product warranty and registration card. You can register online at www.aemc.com.

INSTRUMENT COMPATIBILITY

The Model MD304 is compatible with any AC ammeter, multimeter, or other current measurement instruments with an input impedance lower than 0.1 Ω . To achieve the stated accuracy, use the MD304 with an Ammeter having an accuracy of 0.75% or better.



ELECTRICAL SPECIFICATIONS

Current Range:

1 to 600A AC

Transformation Ratio:

100:1

Output Signal:

10mA AC/A AC

Overload:

700A for 10 mn

Accuracy*:

Primary current	25A	100A	250A; 500A	600A
Accuracy %	5%	2.5%	2%	3%
Phase shift	6°	5°	3°	

600A for 20 mn max.

(*Reference conditions: 23°C ± 5°K, 20 to 75% RH, 45 to 65Hz, external magnetic field < 40 A/m, no DC component, no external current carrying conductor, test sample centered.) 0.1Ω load.

Frequency Range:

48 to 1000Hz
(error: add 1% to ref.)

Load Impedance:

0.1Ω max. non-inductive

Working Voltage: 600V rms

Common Mode Voltage: 30V rms

Influence of Adjacent Parallel Conductor:
< 30mA/A at 50Hz

Influence of Conductor in Jaw Opening:
< 1%

MECHANICAL SPECIFICATIONS

Operating Temperature:

-5° to 122°F (-15° to 50°C)

Storage Temperature:

Influence of Temperature:
< 0.1% per 10°K

Altitude:

Operating: 0 to 2000 m
Non-operating: 0 to 12,000 m

Jaw Opening:

1.3" (33mm)

Maximum Conductor Size:

1.18" (30mm)

Maximum Bus Bar Size:

2.48 x 0.20" (63 x 5mm)

Envelope Protection:

IP 20 (IEC 529)

Drop Test:

1.5 m (IEC 68-2-32)

Mechanical Shock:

100 g (IEC 68-2-27)

Vibration:

10/55/10Hz, 0.15mm (IEC 68-2-6)

Polycarbonate Material:

Handles: 10% fiberglass charged polycarbonate UL 94 V0

Dimensions:

2.6 x 7.68 x 1.34" (66 x 195 x 34mm)

Weight:

14.82 oz. (420 g)

Colors:

Dark gray handles

Output:

Insulated 5 ft (1.5 m) lead with safety 4mm banana plugs

SAFETY SPECIFICATIONS



Electrical:

Double insulation or reinforced insulation between the primary or secondary and the outer case of the handle per IEC 1010-2-032.

- 600 V CAT III, Pollution: 2

- 300 V CAT IV, Pollution: 2

Electromagnetic Compatibility:

EN 50081-1 Class B

EN 50082-2 Electrostatic discharge IEC 1000-4-2

Radiated field IEC 1000-4-3

Fast transients IEC 1000-4-4

Magnetic field at 50/60 Hz IEC 1000-4-8

ORDERING INFORMATION

Current Probe MD304Cat.# 1201.37

Accessories:

Banana plug adapter

(to nonrecessed plug) **Cat.# 1017.45**

OPERATION

Please make sure that you have already read and fully understand the WARNING section on page 1.

Making Measurements with the AC Current Probe Model MD304

- Connect the black and red terminals to the Amper e AC range of y our DMM or current measuring instrument. Select the appropriate current range (10A AC range). Clamp the probe around the conductor to be tested with the arrow pointed toward the load. Read the value display on the DMM and multiply it by the probe ratio (100/1). (If reading = 4.59A, the curr ent flowing through the probe is $4.59A \times 100 = 459A$ AC)
- For best accuracy, avoid if possible, the proximity of other conductors which may create noise.

Tips for Making Precise Measurements

- When using a current probe w ith a meter, it is important to select the r ange that prov ides the best resolution. Failure to do this may result in measurement errors.
- Make sure that probe jaw mating surfaces are fr ee of dust and contamination. Contaminants cause air gaps between the jaws, increasing t he phase shift between primary and secondary. It is v ery critical for power measurement.

MAINTENANCE:

Warning

- For maintenance use only original replacement parts.
- To avoid electrical shock, do not attempt to perform any servicing unless you are qualified to do so.
- To avoid electrical shock and/or damage to the inst rument, do not get w ater or other foreign agents into the probe.

Cleaning

To ensure optimum performance, it is important to keep the probe jaw mating surfaces clean at all times. Failure to do so may result in error in readings. To clean the probe jaw s, use v ery fine sand paper (fine 600) to avoid scratching the jaw, then gently clean with a soft, oil cloth.

REPAIR AND CALIBRATION

You must contact our Serv ice Cent er for a Customer Serv ice Authorization number (CSA#). This will ensure that when your instrument arrives, it will be tracked and processed promptly. Please write the CSA# on the outside of the shipping container.

-

(Or contact your authorized distributor)

NOTE: All customers must obtain a CSA# before returning any instrument.

LIMITED WARRANTY

The current probe is w arranted to the owner for a period of one y ear from the dat e of original purchase against defects in manufacture. This limited w arranty is giv en by AEMC[®] Instruments, not by the distributor from whom it was purchased. This warranty is void if the unit has been tampered w ith, abused or if the defect is related to service not performed by AEMC[®] Instruments.

**Full warranty coverage and product registration is available on our website at:
www.aemc.com/warranty.html.**

Please print the online Warranty Coverage Information for your records.