

Sheet Metal Micrometers

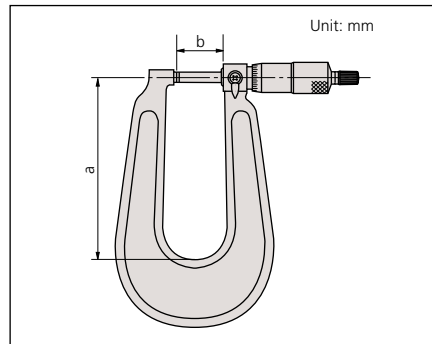
SERIES 389, 119, 118



FEATURES

- Measures thickness of sheet metal, paper, plastic and rubber parts.
- With ratchet stop for constant force.
- With a standard bar except for 0 - 1" / 0 - 25mm model.
- IP65 water/dust protection (Series 389*).
- *Except for 389-514 / 389-714.
- Supplied in fitted plastic case.
- Non-slip grip finish (digital models).

DIMENSIONS



Technical Data

Accuracy: Refer to the list of specifications
 Resolution*: .00005"/0.001mm or 0.001mm
 Graduation**: 0.01mm, .001" or .0001"
 Flatness: .000024" / 0.6µm for models with 6" / 150mm throat
 .00004" / 1µm for models with 12" / 300mm throat
 Parallelism: .00012" / 3µm
 Measuring faces: Carbide tipped
 Display*: LCD
 Battery*: SR44 [1 pc. (2 pcs.: 389-514 and 389-714)], 938882
 Battery life*: Approx. 2.4 years under normal use
 (1.8 years: 389-514 and 389-714)
 Dust/Water protection level*: IP65
 *Digital models **Analog models

Function of Digital Model

Origin-set, Zero-setting, Data hold, Data output, inch/mm conversion (on inch/metric models only)
 Function lock
 Alarm: Low voltage, Counting value composition error

Optional Accessories for Digital Model

- 05CZA662**: SPC cable with data switch (40" / 1m)
- 05CZA663**: SPC cable with data switch (80" / 2m)
- 04AZB512**: SPC cable for 389-514/389-714 (40" / 1m)
- 04AZB513**: SPC cable for 389-514/389-714 (80" / 2m)

SPECIFICATIONS

Metric	Digital model				
Range	Resolution	Order No.	Accuracy	a/b	
0 - 25mm	0.001mm	389-251-30	±4µm	160/27.5mm	
0 - 25mm	0.001mm	389-261-30 ^{S-F}	±4µm	160/27.5mm	
0 - 25mm	0.001mm	389-271-30 ^{S-S}	±4µm	160/27.5mm	
0 - 25mm	0.001mm	389-514	±5µm	330/35mm	
25 - 50mm	0.001mm	389-252-30	±4µm	165/27.5mm	
25 - 50mm	0.001mm	389-262-30 ^{S-F}	±4µm	165/27.5mm	
25 - 50mm	0.001mm	389-272-30 ^{S-S}	±4µm	165/27.5mm	

S-F: Spherical anvil and flat spindle
 S-S: Spherical anvil and spherical spindle

Inch/Metric	Digital model				
Range	Resolution	Order No.	Accuracy	a/b	
0 - 1" / 0 - 25.4mm	.00005" / 0.001mm	389-351-30	±.0002"	6.3"/1.08"	
		389-361-30 ^{S-F}	±.0002"	6.3"/1.08"	
		389-371-30 ^{S-S}	±.0002"	6.3"/1.08"	
		389-714	±.00025"	13"/1.38"	
1 - 2" / 25.4 - 50.8mm	.00005" / 0.001mm	389-352-30	±.0002"	6.5"/1.08"	
		389-362-30 ^{S-F}	±.0002"	6.5"/1.08"	
		389-372-30 ^{S-S}	±.0002"	6.5"/1.08"	

S-F: Spherical anvil and flat spindle
 S-S: Spherical anvil and spherical spindle

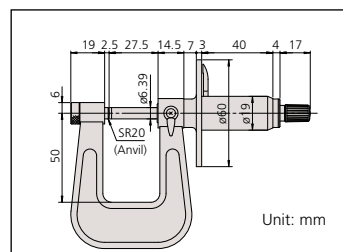
Metric	Dial reading model				
Range	Graduation	Order No.	Accuracy	a/b	
0 - 25mm	0.01mm	118-101	±4µm	110/27.5mm	
0 - 25mm	0.01mm	118-102	±4µm	160/27.5mm	
0 - 25mm	0.01mm	118-114 ^{S-F}	±4µm	160/27.5mm	
0 - 25mm	0.01mm	118-118 ^{S-S}	±4µm	160/27.5mm	
0 - 25mm	0.01mm	118-103	±5µm	330/35mm	
25 - 50mm	0.01mm	118-110	±4µm	165/27.5mm	

S-F: Spherical anvil and flat spindle
 S-S: Spherical anvil and spherical spindle

Inch	Dial reading model				
Range	Graduation	Order No.	Accuracy	a/b	
0 - 1"	.0001"	118-129	±.0002"	6.3"/1.08"	
		118-116 ^{S-F}	±.0002"	6.3"/1.08"	
		118-120 ^{S-S}	±.0002"	6.3"/1.08"	
	.001"	118-107	±.00025"	13"/1.38"	
1" - 2"	.001"	118-112	±.0002"	6.5"/1.08"	

S-F: Spherical anvil and flat spindle
 S-S: Spherical anvil and spherical spindle
 *.0001" reading is obtained with vernier.

DIMENSIONS AND MASS



Metric	Dial reading model				
Range	Graduation	Order No.	Accuracy	Throat	
0 - 25mm	0.01mm	119-202 ^{S-F}	±4µm	50mm	

S-F: Spherical anvil and flat spindle



Anvil-Spindle Combinations



Standard, Flat-Flat



Spherical-Flat (S-F)



Spherical-Spherical (S-S)

The Series 119 is provided with a dial for making easy and quick readings.

