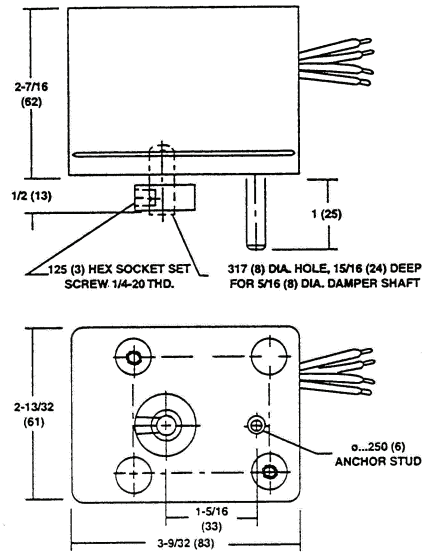
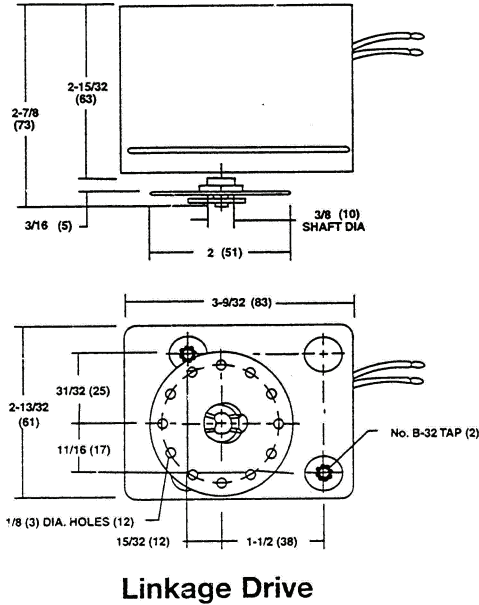


# 453L, 453H, 453R

## Schneider Electric Erie™ Damper Operators

### Dimensions



### Direct Drive Specifications

**Motor:** 24V, 120V, 230V, 277V.

**Rating:**

453L, 7VA.

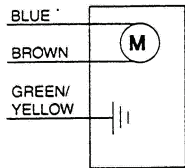
453H, 9VA.

**Auxiliary Switch:** SPDT Normally open or normally closed.

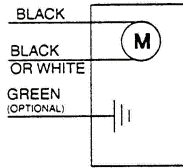
**Rating:** 10 Amp @ 277 Vac, 1/2 HP @ 250Vac.

### Wiring

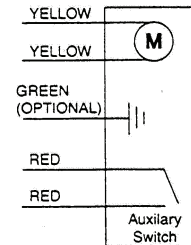
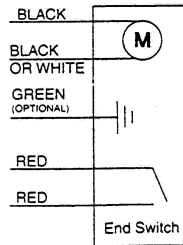
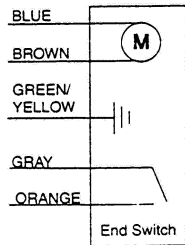
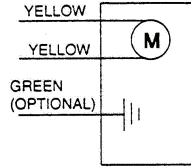
#### “L & H” Cordset Round



#### “L” Wire Leads



#### “H” Wire Leads



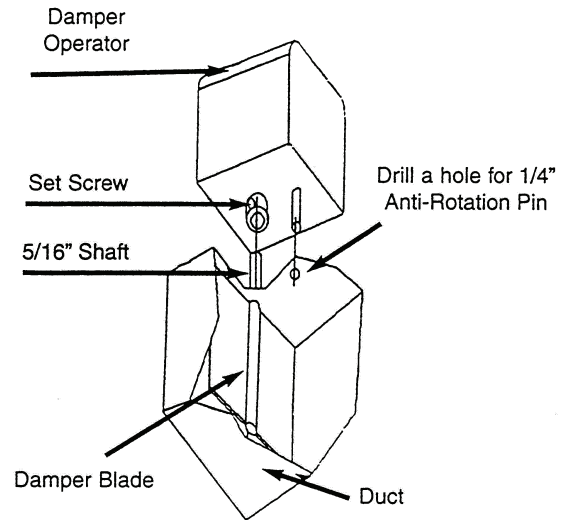
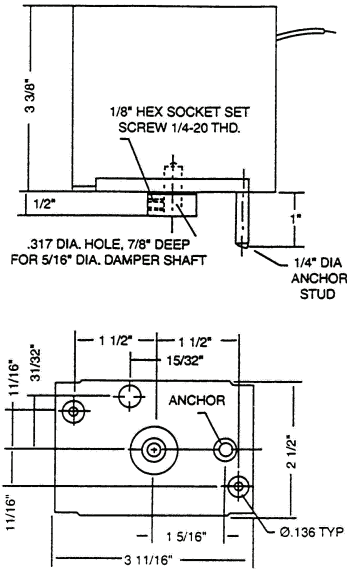
Life Is On

**Schneider**  
Electric

Be sure to connect provided ground screw or wire. The product must be installed to an approved termination such as a junction box.

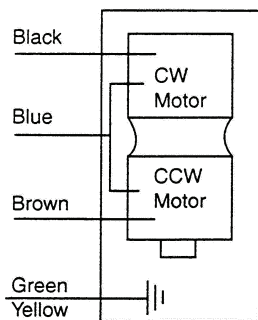
### 453R Two Position, Motor Open, Motor Closed Schneider Electric Erie Damper Actuators

#### Dimensions

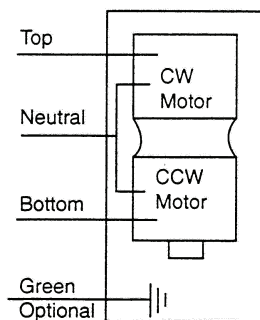


#### Wiring

##### "R" with Cordset Round



##### "R" Wire Leads



All specifications are nominal and conform to generally acceptable industry standards. Schneider Electric is not responsible for damages resulting from mis-application or mis-use of its products. When installing product, follow local electrical codes.

#### Specifications

**Motor:** 24V, 120V, 230V, 277V.

**Rating:**  
453R, 7VA.

##### Wire Leads:

**Clockwise rotation,** Two leads from top motor.

**Counterclockwise rotation,** Two leads from bottom motor.

##### With Cordset:

**Black and blue leads,** Clockwise rotation.

**Brown and blue leads,** Counterclockwise rotation.